

PRODUCT INFORMATION PACKET



Model No: LM18907

Catalog No: LM18907

OBSOLETE - REPLACED BY LM32842 - 30,1800,TEFC,286TSC,3/60/230/460

Regal and Leeson are trademarks of Regal Rexnord Corporation or one of its affiliated companies.

©2023 Regal Rexnord Corporation, All Rights Reserved. MC017097E





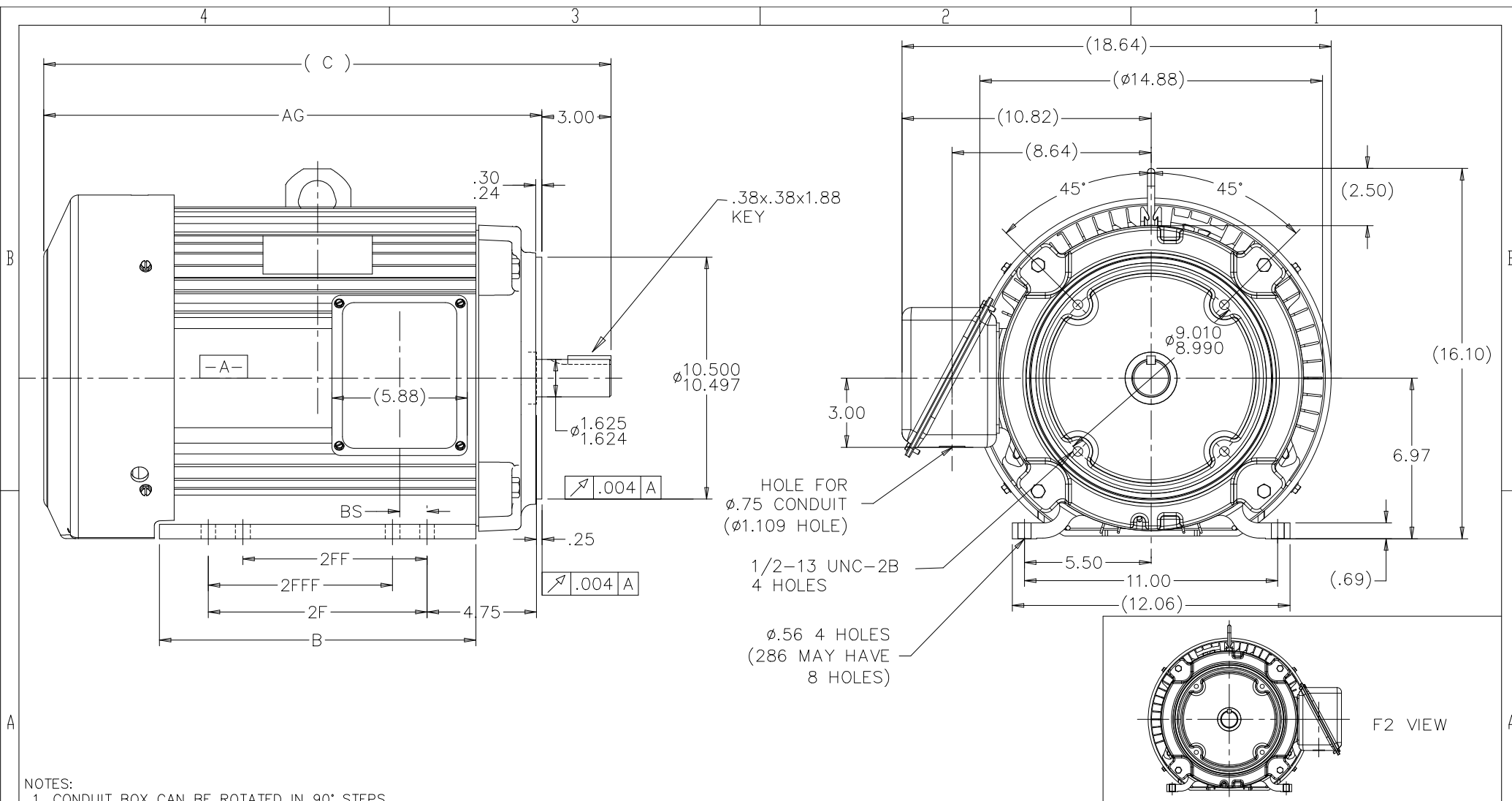
Nameplate Specifications

Phase	3	Output HP	30 & 30 Hp
Output KW	22.4 & 22.4 kW	Voltage	230/460 & 208/415 V
Speed	1780 & 1475 rpm	Service Factor	1.25 & 1.15
Frame	286TSC	Enclosure	Totally Enclosed Fan Cooled
Thermal Protection	No Protection	Efficiency	92.4 & 91.7 %
Ambient Temperature	40 °C	Frequency	60 & 50 Hz
Current	76/38 & 86/43 A	Power Factor	80
Duty	Continuous	Insulation Class	F
Design Code	B	KVA Code	G
Drive End Bearing Size	312	Opp Drive End Bearing Size	209
UL	Recognized	CSA	Y
CE	Y	IP Code	43
Number of Speeds	1		

Technical Specifications

Electrical Type	Squirrel Cage Induction Run	Starting Method	Wye Start Delta Run
Poles	4	Rotation	Reversible
Resistance Main	.27 Ohms	Mounting	Rigid Base
Motor Orientation	Horizontal	Drive End Bearing	Ball
Opp Drive End Bearing	Ball	Frame Material	Aluminum
Shaft Type	TS	Assembly/Box Mounting	F1/F2 CAPABLE
Outline Drawing	XF5F1SC2-1525C	Connection Drawing	3A263-2

This is an uncontrolled document once printed or downloaded and is subject to change without notice. Date Created:06/23/2023



- NOTES:
1. CONDUIT BOX CAN BE ROTATED IN 90° STEPS.
 2. CONDUIT BOX CAN BE MOUNTED ON OPPOSITE SIDE BY REMOVING BRACKETS AND TURNING FRAME 180°.
 3. NAMEPLATE TO BE READ FROM CONDUIT BOX SIDE OF MOTOR.

DASH	FRAME	C	AG	2F	2FF	2FFF	BS
1375	284TSC	24.64	21.64	9.50			1.69
1525	286TSC	26.14	23.14	11.00	9.50	9.50	1.69

DRAWING REVISION	REVISION BY	SP	REV DATE / © DATE	06/29/2021	TOLERANCES (EXCEPT AS NOTED):	ANGLE	DRAWN BY	NJS	Regal Beloit America, Inc.	
ECD	APPROVED BY	AS	DATE	06/29/2021	DEC. INCH MM	± 0.5°	DATE	03/11/2003		
ECD DESCRIPTION	3C223-F3 FAN GUARD REPLACED WITH 310031A				.XX ± 0.01 (± 0.3)	125 32 INCH DIMENSIONS IN [BRACKETS] ARE FOR REFERENCE ONLY	APPROVED BY	TB	DESCRIPTION	
COPYRIGHT © PER REVISION DATED REGAL, BELOIT AMERICA, INC. ALL RIGHTS RESERVED. PROPRIETARY AND CONFIDENTIAL INFORMATION - THIS DOCUMENT IS THE PROPERTY OF REGAL, BELOIT AMERICA, INC. (OWNER) AND CONTAINS OWNER'S PROPRIETARY INFORMATION. ANY PERSON, CORPORATION OR OTHER FOR RECEIVING IT IS HEREBY, BY RECEIVING IT, TO AGREE THAT IT, AND/OR ANY PART OF IT, SHALL NOT BE DISCLOSED TO ANY PERSON, CORPORATION OR OTHER ENTITY, DUPLICATED, AND/OR USED, EXCEPT AS CORRECTLY APPROVED IN WRITING IN ADVANCE BY OWNER. THIS DOCUMENT SHALL BE RETURNED TO OWNER UPON REQUEST. IT MAY BE SUBJECT TO CERTAIN RESTRICTIONS UNDER APPLICABLE EXPORT CONTROL LAWS AND REGULATIONS.					REMOVE BURRS & BREAK SHARP EDGES: .003/.015 (.08/.38) X 45 CORNER FILLETS: R02 (L5) MACHINED SURFACES:		DATE	03/12/2003	OUTLINE 280TSC TEFC UET	
								REFERENCE	MATERIAL	PROCESS/FINISH
							THIRD ANGLE PROJECTION	SIZE	DRAWING NUMBER	SHEET
								B	XF5F1SC2	1 OF 1