

PRODUCT INFORMATION PACKET



Model No: LM16747

Catalog No: LM16747

OBSOLETE - REPLACED BY LM33484 - 5,1800,TEFC,184TC,3/60/230/460

Regal and Leeson are trademarks of Regal Rexnord Corporation or one of its affiliated companies.

©2023 Regal Rexnord Corporation, All Rights Reserved. MC017097E





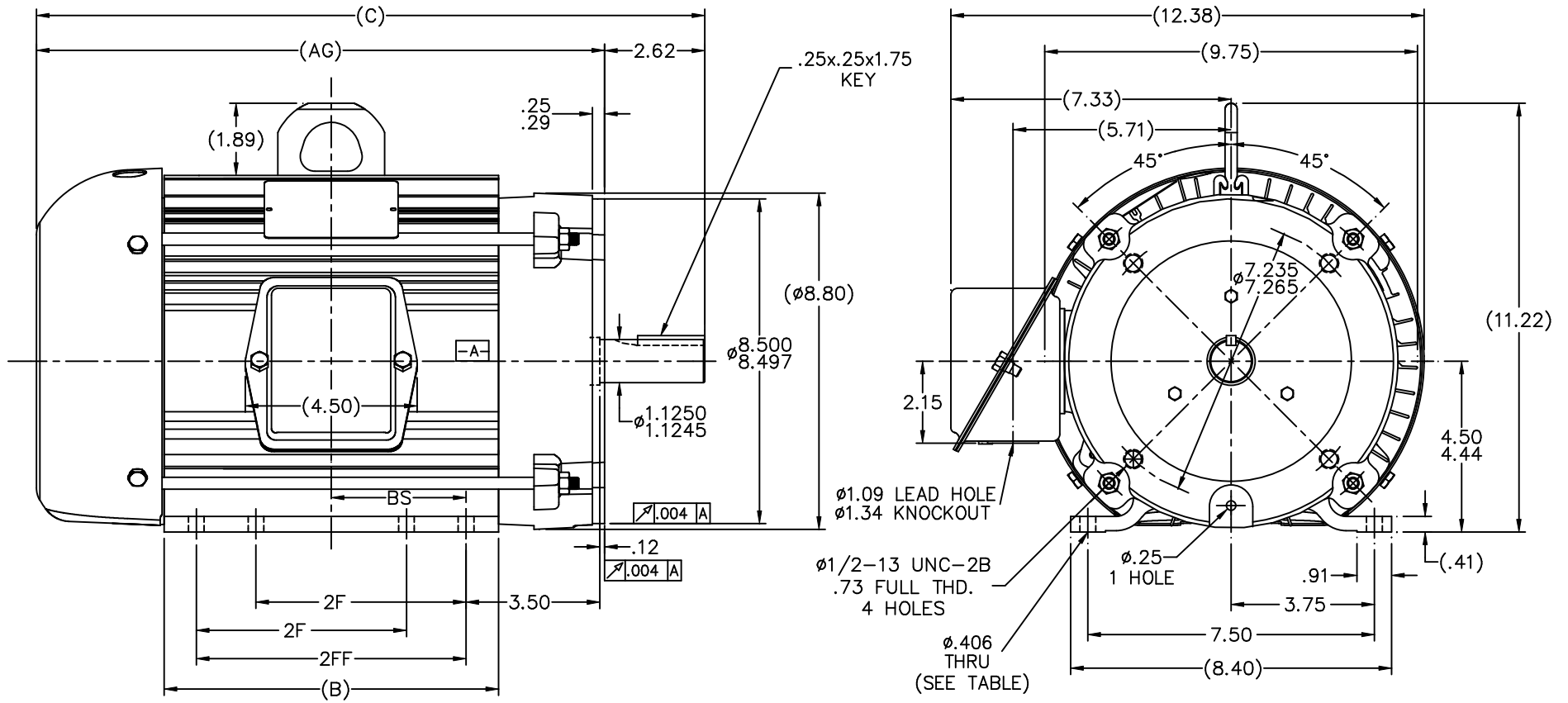
Nameplate Specifications

| | | | |
|------------------------|--------------------------------|----------------------------|------------------------------------|
| Phase | 3 | Output HP | 5 & 5 Hp |
| Output KW | 3.7 & 3.7 KW | Voltage | 230/460 & 190/380 V |
| Speed | 1755 & 1440 rpm | Service Factor | 1.25 & 1.0 |
| Frame | 184TC | Enclosure | Totally Enclosed Fan Cooled |
| Thermal Protection | No Protection | Efficiency | 90.2 & 87.5 % |
| Ambient Temperature | 40 °C | Frequency | 60 & 50 Hz |
| Current | 12.4/6.2 & 15/7.5 A | Power Factor | 83.5 |
| Duty | Continuous | Insulation Class | F |
| Design Code | B | KVA Code | J |
| Drive End Bearing Size | 207 | Opp Drive End Bearing Size | 205 |
| UL | Recognized | CSA | Y |
| CE | Y | IP Code | 43 |
| Number of Speeds | 1 | | |

Technical Specifications

| | | | |
|-----------------------|------------------------------------|-----------------------|------------------------|
| Electrical Type | Squirrel Cage Induction Run | Starting Method | Across The Line |
| Poles | 4 | Rotation | Reversible |
| Resistance Main | 2.62 Ohms | Mounting | Rigid Base |
| Motor Orientation | Horizontal | Drive End Bearing | Ball |
| Opp Drive End Bearing | Ball | Frame Material | Aluminum |
| Shaft Type | T | Assembly/Box Mounting | F1/F2 CAPABLE |
| Outline Drawing | B-SS601010LN-820 | Connection Drawing | A-EE7308-LN |

This is an uncontrolled document once printed or downloaded and is subject to change without notice. Date Created:06/22/2023




NOTES:

1. CONDUIT BOX TO BE ROTATED IN 90° STEPS.
2. NAMEPLATE TO BE READ FROM CONDUIT BOX SIDE OF MOTOR.

| DASH | FR. | C | BS | B | 2F | AG | 2FF | FOOT HOLE |
|------|--------|-------|------|------|------|-------|------|-----------|
| 620 | 182T | 14.83 | 2.25 | 6.20 | --- | 12.21 | 4.50 | 4 |
| 720 | 184T | 15.83 | 2.75 | 7.20 | --- | 13.21 | 5.50 | 4 |
| 720 | 182/4T | 15.83 | 2.75 | 7.20 | 4.50 | 13.21 | 5.50 | 8 |
| 820 | 182/4T | 16.83 | 3.25 | 8.20 | 5.50 | 14.21 | 6.50 | 8 |
| 875 | 184T | 17.49 | 3.53 | 8.75 | 5.50 | 14.87 | 7.06 | 8 |

| NO. | REVISION | BY & DATE | CHK | ANG | FINISH | PREV |
|-----|---|----------------|-----|------------------|---------------------|------|
| 10 | CHANGED DASH 720 182/4T TO 184T AND DIMENSION | JJB 05/25/2007 | ML | UNLESS SPECIFIED | | |
| | 2FF FROM 4.50 TO 5.50 ECN 10328 | | | DEC. | INCHES | |
| 9 | -620, 720; 2F NOW 2FF DIM. (4 MTG HOLES) CN 33910 | DRS 10-25-2005 | ML | .X | ±.1 | |
| 8 | FIXED 2FF DIM. FOR -820 WAS 5.50 CN 32479 | ERH 02-02-2004 | ML | .XX | ±.03 | |
| 7 | ADDED OLD DASHES TO TABLE CN 32479 | ERH 12-10-2003 | ML | .XXX | ±.005 | |
| 6 | REVISED PER CN 32479 | ERH 12-01-2003 | ML | .XXXX | ±.0005 | |
| | | | | ANG | ±7°30" | |
| | | | | RFP | CAD FILE ss601010ln | |
| | | | | DIST | LB | |



DRAWN BJW 02/01/2000
 CHK ML 02/02/2000
 APPD GK 02/02/2000
 SCALE 3=8
 REF
 FMF MU48444
 PREV

| | | | | |
|------|-------------|------|----|------|
| SIZE | DRAWING NO. | PAGE | OF | REV. |
| B | SS601010LN | | 10 | |

THREE PHASE
DUAL VOLTAGE MOTOR

HIGH VOLTAGE



LOW VOLTAGE



VIEW OF TERMINAL END

REF.
WINDING DIAGRAM

T8Y, T2Y, T2BL, T4BX, T2EC, T2G
T6BZ, T2B, T6BL, T4AV, T6B, T4B

OPTIONAL CORD
CONNECTION

L1 — WHITE —
L2 — RED —
L3 — BLACK —

| NO. | REVISION | BY & DATE | CHK | TOLERANCES UNLESS SPECIFIED | | FINISH | DRAWN | DATE | | | |
|-----|--|----------------|-----|-----------------------------|-------------------|--------------------------|-------|------------|-----------------------|-----------|--------|
| | | | | DEC. | INCHES | | | | | | |
| | | | | .X | ±.1 | | BLR | 06/11/1999 | | | |
| | | | | | | | ML | 06/18/1999 | | | |
| | | | | | | | GK | 06/18/1999 | | | |
| 3 | ADDED THE OPTIONAL CORD CONNECTION MU46318 | RDH 04/24/2003 | DRS | .XX | ±.02 | TITLE CONNECTION DIAGRAM | | SCALE 1=1 | | | |
| 2 | RE-ISSUE, ADDED '-' TO PART NUMBER | BLR 08/09/1999 | GK | .XXX | ±.005 | 3∅ - DUAL VOLTAGE MOTOR | | REF | | | |
| 1 | NEW DRAWING | BLR 06/18/1999 | GK | .XXXX | ±.0005 | MAT'L. | | FMF | | | |
| | | | | ANG | ±7'30" | | | PREV | | | |
| | | | | RFP | CAD FILE EE7308LN | | | SIZE A | DRAWING NO. EE7308-LN | PAGE OF 3 | REV. 3 |
| | | | | DIST WP | | | | | | | |

