

PRODUCT INFORMATION PACKET



Model No: LM15673

Catalog No: LM15673

General Purpose Motor, 20 & 20 HP, 3 Ph, 60 & 50 Hz, 230/460 & 190/380-415 V, 3600 & 3000 RPM,
256T Frame, TEFC



Regal and Leeson are trademarks of Regal Rexnord Corporation or one of its affiliated companies.

©2023 Regal Rexnord Corporation, All Rights Reserved. MC017097E



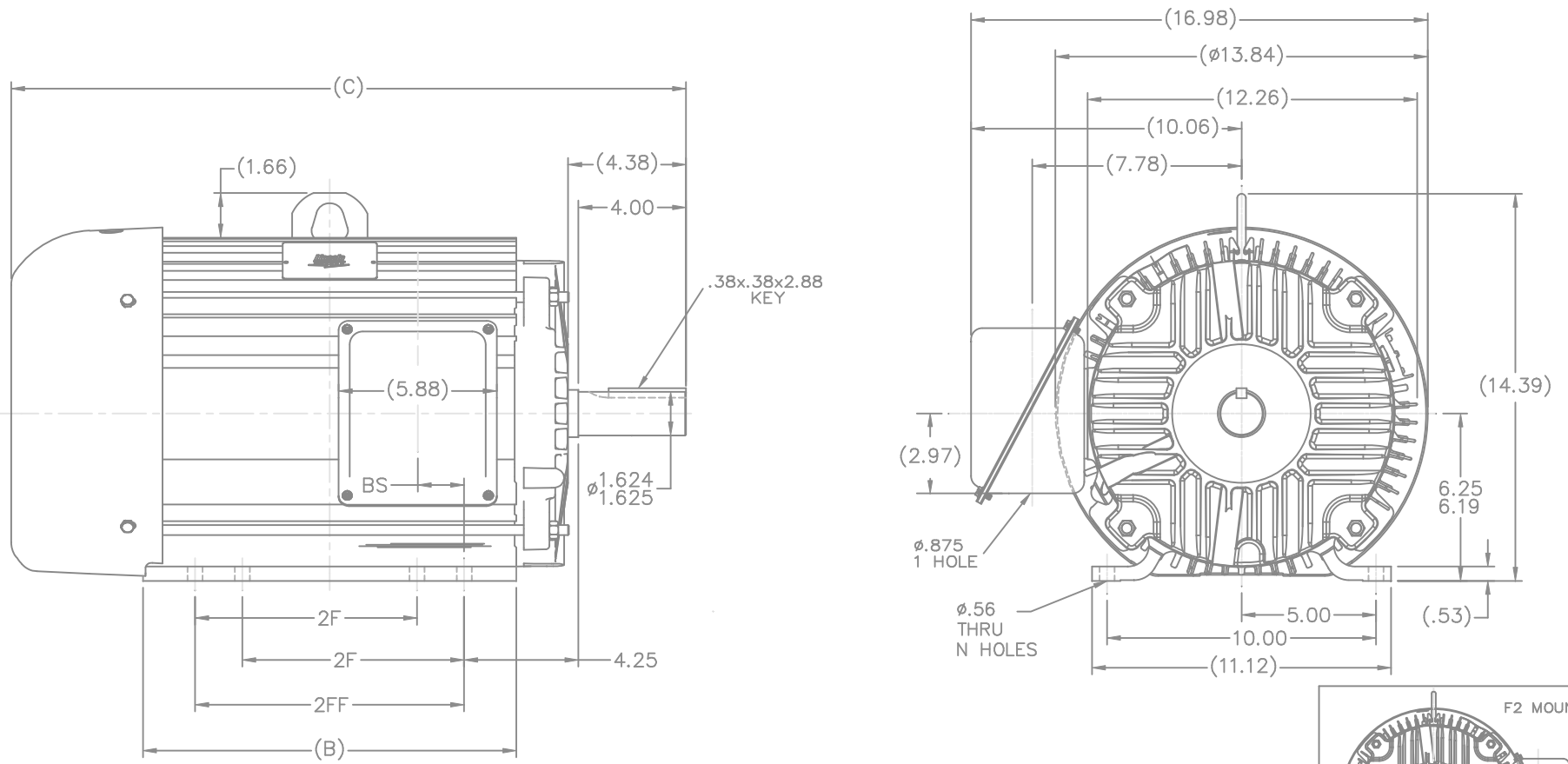


Nameplate Specifications

Phase	3	Output HP	20 & 20 Hp
Output KW	14.9 & 14.9 kW	Voltage	230/460 & 190/380-415 V
Speed	3537 & 2925 rpm	Service Factor	1.25 & 1.0
Frame	256T	Enclosure	Totally Enclosed Fan Cooled
Thermal Protection	No Protection	Efficiency	92.4 & 91.7 %
Ambient Temperature	40 °C	Frequency	60 & 50 Hz
Current	47/23.4 & 56/28-26 A	Power Factor	86
Duty	Continuous	Insulation Class	F
Design Code	B	KVA Code	G
Drive End Bearing Size	309	Opp Drive End Bearing Size	208
UL	Recognized	CSA	Y
CE	Y	IP Code	43
Number of Speeds	1		

Technical Specifications

Electrical Type	Squirrel Cage Inverter Rated	Starting Method	Line Or Inverter
Poles	2	Rotation	Reversible
Resistance Main	.394 Ohms	Mounting	Rigid Base
Motor Orientation	Horizontal	Drive End Bearing	Ball
Opp Drive End Bearing	Ball	Frame Material	Aluminum
Shaft Type	T	Overall Length	25.15 in
Frame Length	13.75 in	Shaft Diameter	1.625 in
Shaft Extension	4 in	Assembly/Box Mounting	F1/F2 CAPABLE
Inverter Load	VARIABLE 10:1		
Connection Drawing	EE7308-LN	Outline Drawing	SS321100LN-1375



- NOTES:
 1. CONDUIT BOX CAN BE ROTATED IN 90° STEPS.
 2. NAMEPLATES TO BE READ FROM CONDUIT BOX SIDE OF MOTOR.

DASH	FR.	C	B	BS	2F	2FF	N
1200	254T	23.40	12.13	1.73	8.25	10.00	4
1375	254/6T	25.15	13.88	1.73	8.25	10.00	8

NO.		REVISION	BY & DATE	CHK	ANG	TOLERANCES UNLESS SPECIFIED	MAT'L	PREV
3	B DIM 12.13 WAS 12.00, AND 13.88 WAS 13.75		MJK 05/18/2004			DEC. INCHES		
	CN 29200-3584					.X ±.1		
2	25.15 WAS 25.65, 23.40 WAS 23.90		MJK 05/04/2004			.XX ±.03		
1	(4.38) WAS (4.37), ø1.624/1.625 WAS ø1.624/1.624		MJK 04/29/2004			.XXX ±.005		
	CN 32681					.XXXX ±.0005		
THIS DRAWING IN DESIGN AND DETAIL IS OUR PROPERTY AND MUST NOT BE USED EXCEPT IN CONNECTION WITH OUR WORK ALL RIGHTS OF DESIGN AND INVENTION ARE RESERVED THIS IS AN ELECTRONICALLY GENERATED DOCUMENT - DO NOT SCALE THIS PRINT								
				RFP		CAD FILE ss321100ln	SIZE B	DRAWING NO. SS321100LN
				DIST LB			PAGE 3	REV. 3

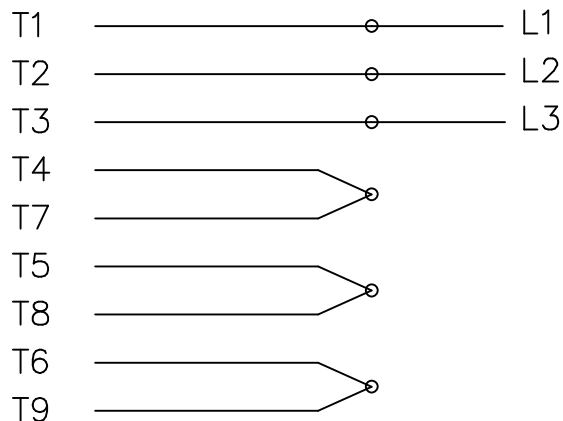


TITLE OUTLINE
 250T FR - ALUM. FR. - TEFC

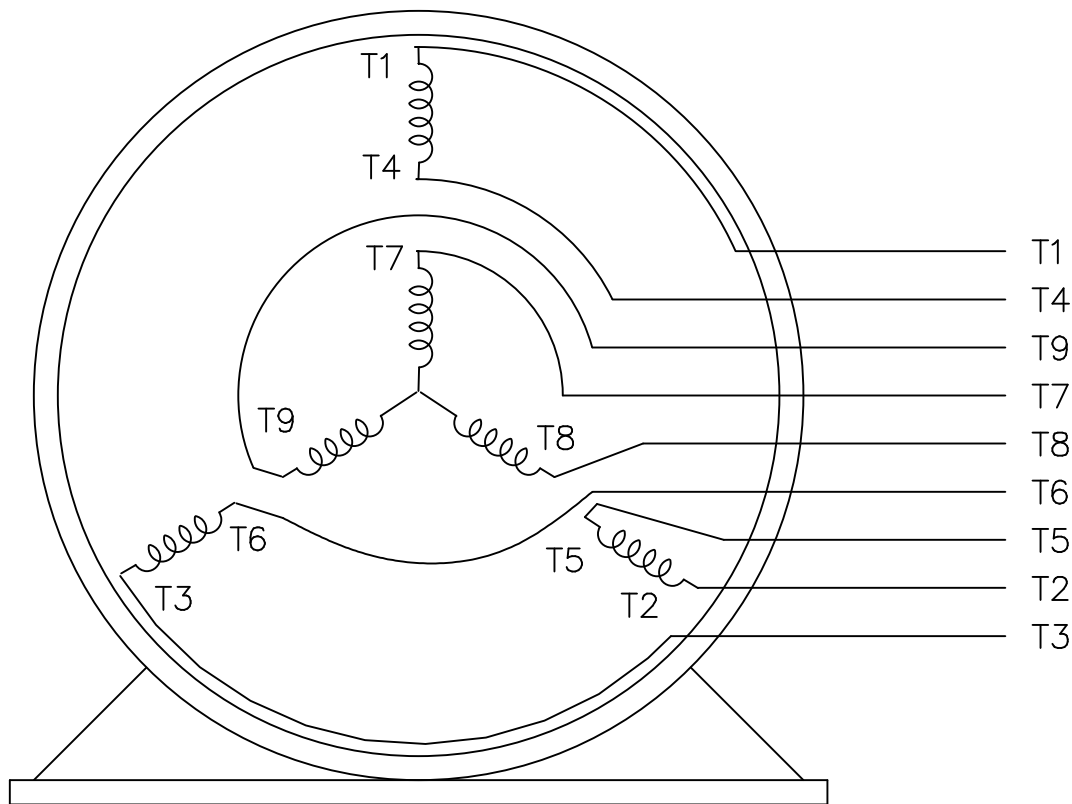
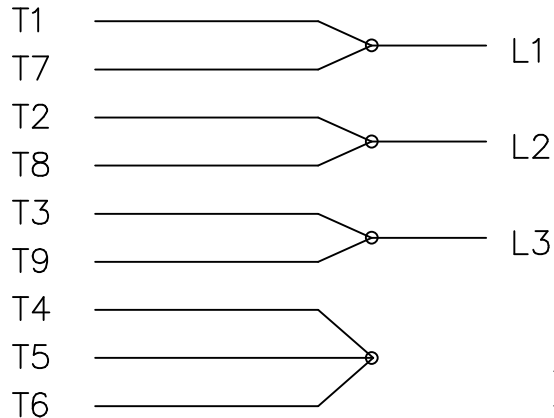
DRAWN MJK 03-29-2004
 CHK ML 03-29-2004
 APPD JPL 03-29-2004
 SCALE 1=4
 REF
 F2 MOUNT

THREE PHASE
DUAL VOLTAGE MOTOR

HIGH VOLTAGE



LOW VOLTAGE



VIEW OF TERMINAL END

REF.
WINDING DIAGRAM

T8Y, T2Y, T2BL, T4BX, T2EC, T2G
T6BZ, T2B, T6BL, T4AV, T6B, T4B

OPTIONAL CORD
CONNECTION

L1 — WHITE
L2 — RED
L3 — BLACK

NO.	REVISION	BY & DATE	CHK	TOLERANCES UNLESS SPECIFIED		FINISH	DRAWN	DATE			
				DEC.	INCHES						
				.X	±.1		BLR	06/11/1999			
							ML	06/18/1999			
							GK	06/18/1999			
3	ADDED THE OPTIONAL CORD CONNECTION MU46318	RDH 04/24/2003	DRS	.XX	±.02	TITLE CONNECTION DIAGRAM		SCALE 1=1			
2	RE-ISSUE, ADDED '-' TO PART NUMBER	BLR 08/09/1999	GK	.XXX	±.005	3∅ - DUAL VOLTAGE MOTOR		REF			
1	NEW DRAWING	BLR 06/18/1999	GK	.XXXX	±.0005	MAT'L.		FMF			
				ANG	±7'30"			PREV			
THIS DRAWING IN DESIGN AND DETAIL IS OUR PROPERTY AND MUST NOT BE USED EXCEPT IN CONNECTION WITH OUR WORK ALL RIGHTS OF DESIGN AND INVENTION ARE RESERVED THIS IS AN ELECTRONICALLY GENERATED DOCUMENT - DO NOT SCALE THIS PRINT				RFP	CAD FILE EE7308LN			SIZE A	DRAWING NO. EE7308-LN	PAGE OF 3	REV. 3
				DIST WP							





2100 WASHINGTON ST.
GRAFTON, WI
PH. 262-277-8810

CONN. DIAGRAM: A-EE7308-LN

OUTLINE: B-SS321100LN-1375

CATALOG #: LM15673

WINDING #: K256288 R8 10

MOUNTING: F1/F2 CAPABLE

TYPICAL MOTOR PERFORMANCE DATA

HP	kW	SYNC. RPM	F.L. RPM	FRAME	ENCLOSURE	KVA CODE	DESIGN
20&20	14.9&14.9	3600	3537&2925	256T	TEFC	G	B

PH	Hz	VOLTS	AMPS	START TYPE	DUTY	INSL	S.F.	AMB°C
3	60/50	230/460&380-415	47/23.4&28-26	LINE OR INVERTER	CONTINUOUS	F3	1.25/1.0	40

FULL LOAD EFF:	92.4&91.7	3/4 LOAD EFF:	91.7	1/2 LOAD EFF:	91	GTD. EFF	91.7	ELEC. TYPE	SQ CAGE INV RATED
FULL LOAD PF:	86&88	3/4 LOAD PF:	85	1/2 LOAD PF:	78				

F.L. TORQUE	LOCKED ROTOR AMPS	L.R. TORQUE	B.D. TORQUE	F.L. RISE°C
29.7 LB-FT	290 / 145	55 LB-FT 185 %	84 LB-FT 283 %	55

SOUND PRESSURE @ 3 FT.	SOUND POWER	ROTOR WK^2	MAX. WK^2	SAFE STALL TIME	STARTS / HOUR	APPROX. MOTOR WGT
72 dBA	82 dBA	1.3 LB-FT^2	26 LB-FT^2	20 SEC.	2	360 LBS.

*** SUPPLEMENTAL INFORMATION ***

DE BRACKET TYPE	ODE BRACKET TYPE	MOUNT TYPE	ORIENTATION	SEVERE DUTY	HAZARDOUS LOCATION	DRIP COVER	SCREENS	PAINT
STANDARD	STANDARD	RIGID	HORIZONTAL	FALSE	NONE	FALSE	NONE	GRAY - LINCOLN

BEARINGS		GREASE	SHAFT TYPE	SPECIAL DE	SPECIAL ODE	SHAFT MATERIAL	FRAME MATERIAL
DE	ODE						
BALL	BALL	POLYREX EM	T	NONE	NONE	1045 HOT ROLLED (C-204)	ALUMINUM
309	208						

THERMO-PROTECTORS				THERMISTORS	CONTROL	SPACE HEATERS
THERMOSTATS	PROTECTORS	WDG RTDs	BRG RTDs			
NONE	NOT	NONE	NONE	NONE	FALSE	NONE VOLTS

*
N
O
T
E
S
*

INVERTER TORQUE: VARIABLE 10:1
INV. HP SPEED RANGE: NONE
ENCODER: NONE NONE NONE NONE NONE PPR
BRAKE: NONE NONE NONE P/N NONE NONE NONE FT-LB NONE V NONE Hz

Data Sheet

Date: 1/19/2018

LM15673



Data @ **460 V**

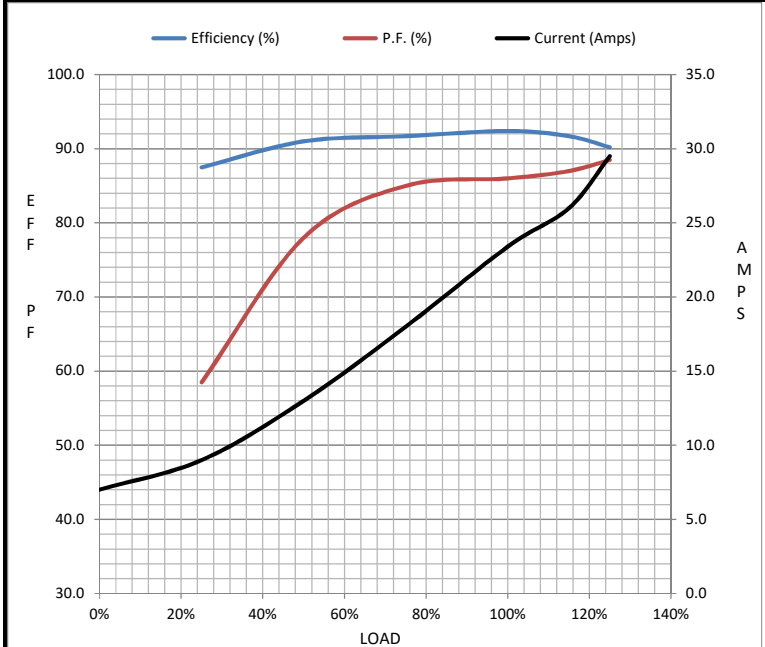
Motor Load Data

Load	0%	25%	50%	75%	100%	115%	125%	LR
Current (Amps)	7.0	9.0	13.0	18.0	23.4	26.0	29.5	145
Torque (ft-lb)	0.00	7.5	15.0	22.0	29.7	31.0	37.5	55.0
RPM	3600	3585	3570	3555	3537	3,525	3515	0
Efficiency (%)		87.5	91.0	91.7	92.4	91.7	90.2	
P.F. (%)	10.5	58.5	78.0	85.0	86.0	87.0	88.5	37.0

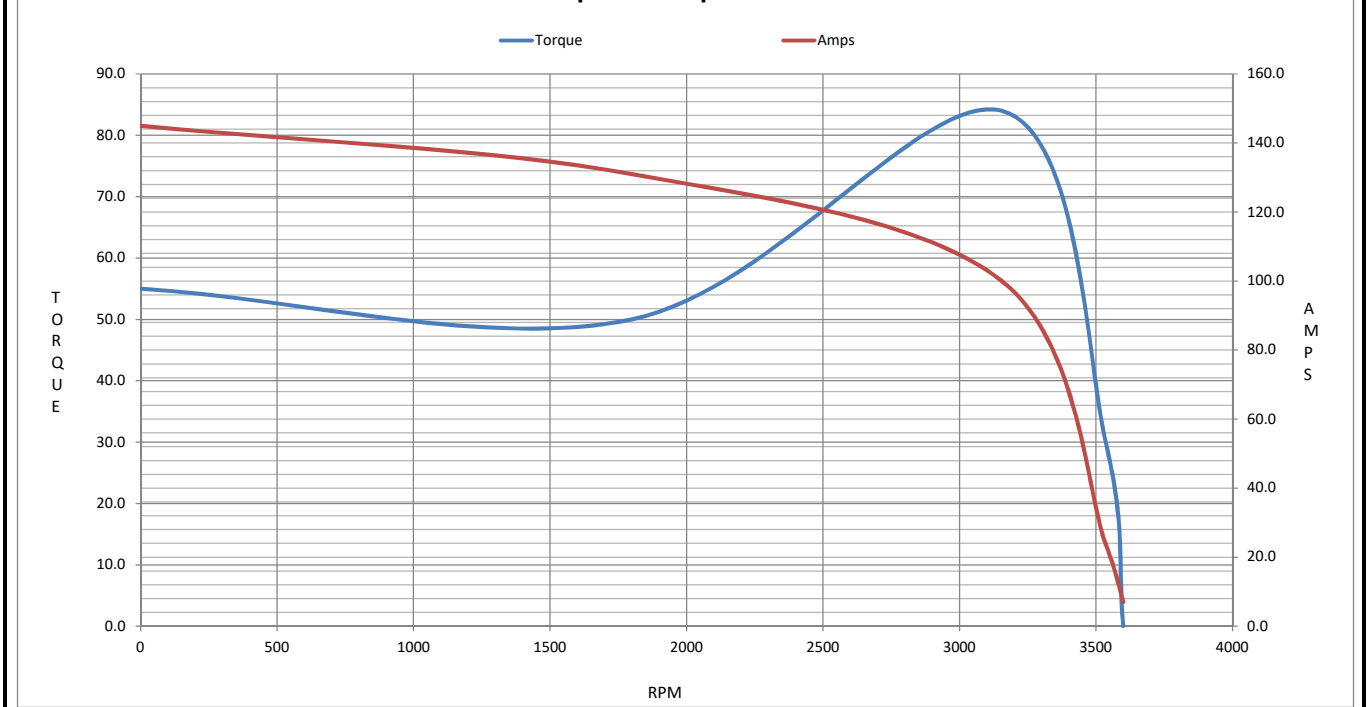
Motor Speed Data

	LR	Pull-Up	BD	Rated	Idle
Speed (RPM)	0	1800	3155	3537	3600
Current (Amps)	145	131	100	23.4	7.0
Torque (ft-lb)	55.0	50.0	84.0	29.7	0.00

Information Block				
HP	20.0			
Sync. RPM	3600			
Frame	256			
Enclosure	TEFC			
Construction	TFY			
Voltage	230/460#380-415 V			
Frequency	60 Hz			
Design	B			
LR Code letter	G			
Service Factor	1.15			
Temp Rise @ FL	55 °C			
Duty	CONT			
Ambient	40 °C			
Elevation	1,000 feet			
Rotor/Shaft wk ²	1.30 Lb-Ft ²			
Ref Wdg	K256288 R8			
Sound Pressure @ 1M	72 dBA			
VFD Rating	VARIABLE 10:1			
Outline Dwg	B-SS321100LN-1375			
Conn. Diag	A-EE7308-LN			
Additional Specifications:				
0				
0				
EQUIV CKT (OHMS / PHASE)				
R1	R2	X1	X2	Xm
0.2530	0.2230	1.0790	1.1190	37.7720



Speed - Torque Curve



EC Declaration of Conformity

The undersigned representing
the manufacturer:

Regal Beloit America
100 East Randolph St.
Wausau, WI 54401

and the authorized representative
established within the Community:

Marathon Electric UK
6F Thistleton Road Ind. Estate
Market Overton
Oakham, Rutland LE15 7PP UK

are committed to providing customers with products that comply with applicable regulations and international protocols to which they are subject, including the requirements of the European Parliament Directive on the Harmonization of the laws relating to electrical equipment designed for use within certain voltage limits (2014/35/EU).

Regal Beloit America declares that the following product(s), to which this declaration relates, are in conformity with the relevant sections of the EC standards listed below.

This statement supersedes any statements previously issued pertaining to the product(s) listed below and is subject to change without notice.

Model No : LM15673

(Model No. may contain prefix and/or suffix characters)

Catalog No : LM15673

Rework No : N/A

Directives :

Low Voltage Directive 2014/35/EU

Harmonized Standards Used :

EN 60034-1: 2010 (IEC 60034-1: 2010)

EN 60034-5: 2001/A1:2007 (IEC 60034-5: 2000/A1:2006)

Authorized Representative:



Michael A. Logsdon
Vice President, Technology

Authorized Representative in the Community:



Julian Clark
Marketing Engineer

Created on 09/01/2022

CE 22