

# PRODUCT INFORMATION PACKET



Model No: LM15670  
Catalog No: LM15670  
General Purpose Motor, 15 & 15 HP, 3 Ph, 60 & 50 Hz, 230/460 & 380-415 V, 3600 & 3000 RPM,  
254T Frame, TEFC



Regal and Leeson are trademarks of Regal Rexnord Corporation or one of its affiliated companies.  
©2023 Regal Rexnord Corporation, All Rights Reserved. MC017097E



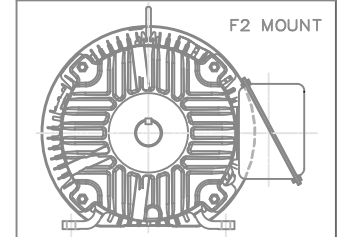
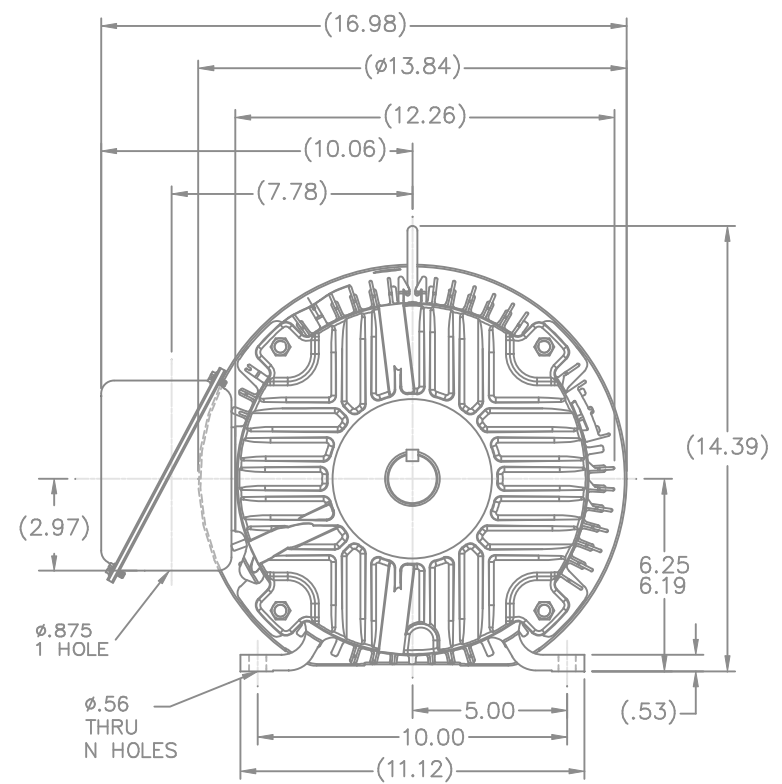
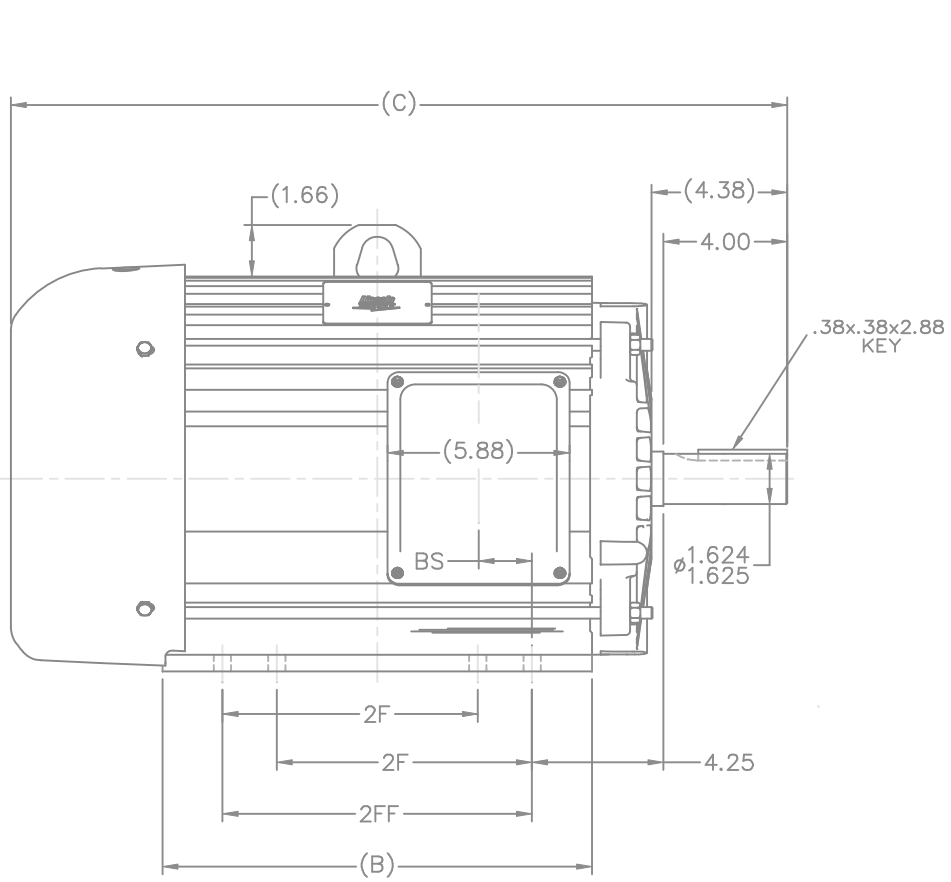


### Nameplate Specifications

Phase	<b>3</b>	Output HP	<b>15 &amp; 15 Hp</b>
Output KW	<b>11.2 &amp; 11.2 kW</b>	Voltage	<b>230/460 &amp; 380-415 V</b>
Speed	<b>3550 &amp; 2940 rpm</b>	Service Factor	<b>1.25 &amp; 1.15</b>
Frame	<b>254T</b>	Enclosure	<b>Totally Enclosed Fan Cooled</b>
Thermal Protection	<b>No Protection</b>	Efficiency	<b>91.7 &amp; 90.2 %</b>
Ambient Temperature	<b>40 °C</b>	Frequency	<b>60 &amp; 50 Hz</b>
Current	<b>35/17.5 &amp; 21.5-20 A</b>	Power Factor	<b>85</b>
Duty	<b>Continuous</b>	Insulation Class	<b>F</b>
Design Code	<b>B</b>	KVA Code	<b>G</b>
Drive End Bearing Size	<b>309</b>	Opp Drive End Bearing Size	<b>208</b>
UL	<b>Recognized</b>	CSA	<b>Y</b>
CE	<b>Y</b>	IP Code	<b>43</b>
Number of Speeds	<b>1</b>		

### Technical Specifications

Electrical Type	<b>Squirrel Cage Induction Run</b>	Starting Method	<b>Across The Line</b>
Poles	<b>2</b>	Rotation	<b>Reversible</b>
Mounting	<b>Rigid Base</b>	Motor Orientation	<b>Horizontal</b>
Drive End Bearing	<b>Ball</b>	Opp Drive End Bearing	<b>Ball</b>
Frame Material	<b>Aluminum</b>	Shaft Type	<b>T</b>
Overall Length	<b>23.40 in</b>	Frame Length	<b>12.00 in</b>
Shaft Diameter	<b>1.625 in</b>	Shaft Extension	<b>4 in</b>
Assembly/Box Mounting	<b>F1/F2 CAPABLE</b>		
Outline Drawing	<b>SS321100LN-1200</b>	Connection Drawing	<b>EE7308K-LN</b>



NOTES:  
 1. CONDUIT BOX CAN BE ROTATED IN 90° STEPS.  
 2. NAMEPLATES TO BE READ FROM CONDUIT BOX SIDE OF MOTOR.

DASH	FR.	C	B	BS	2F	2FF	N
1200	254T	23.40	12.13	1.73	8.25	<del>10.00</del>	4
1375	254/6T	25.15	13.88	1.73	8.25	10.00	8

NO.		REVISION	BY & DATE	CHK	ANG	±7'30"	FINISH	PREV
3	B DIM 12.13 WAS 12.00, AND 13.88 WAS 13.75	MJK	05/18/2004					
	CN 29200-3584							
2	25.15 WAS 25.65, 23.40 WAS 23.90	MJK	05/04/2004					
	CN 32681							
1	(4.38) WAS (4.37), <math>\phi 1.624/1.625</math> WAS <math>\phi 1.624/1.624</math>	MJK	04/29/2004					
	CN 32681							

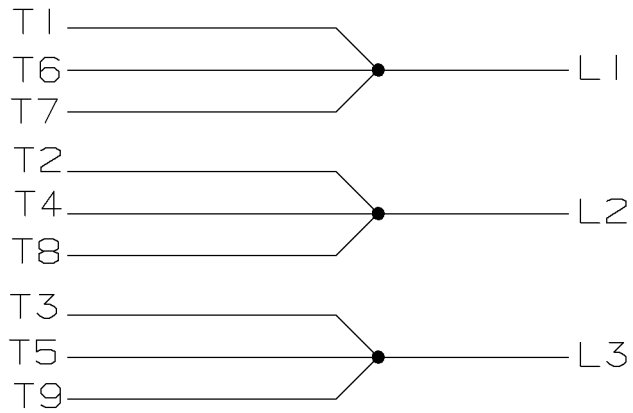
  

TOLERANCES UNLESS SPECIFIED		Lincoln MOTORS		DRAWN MJK 03-29-2004	
DEC.	INCHES	CHK	ML 03-29-2004	APPD	JPL 03-29-2004
.X	±.1	SCALE	1=4	REF	
.XX	±.03	TITLE	OUTLINE	FMF	
.XXX	±.005	250T FR - ALUM. FR. - TEFC		PREV	
.XXXX	±.0005	MAT'L			
RFP		CAD FILE	ss321100ln	SIZE	DRAWING NO. PAGE OF REV.
DIST	LB	B	SS321100LN	3	

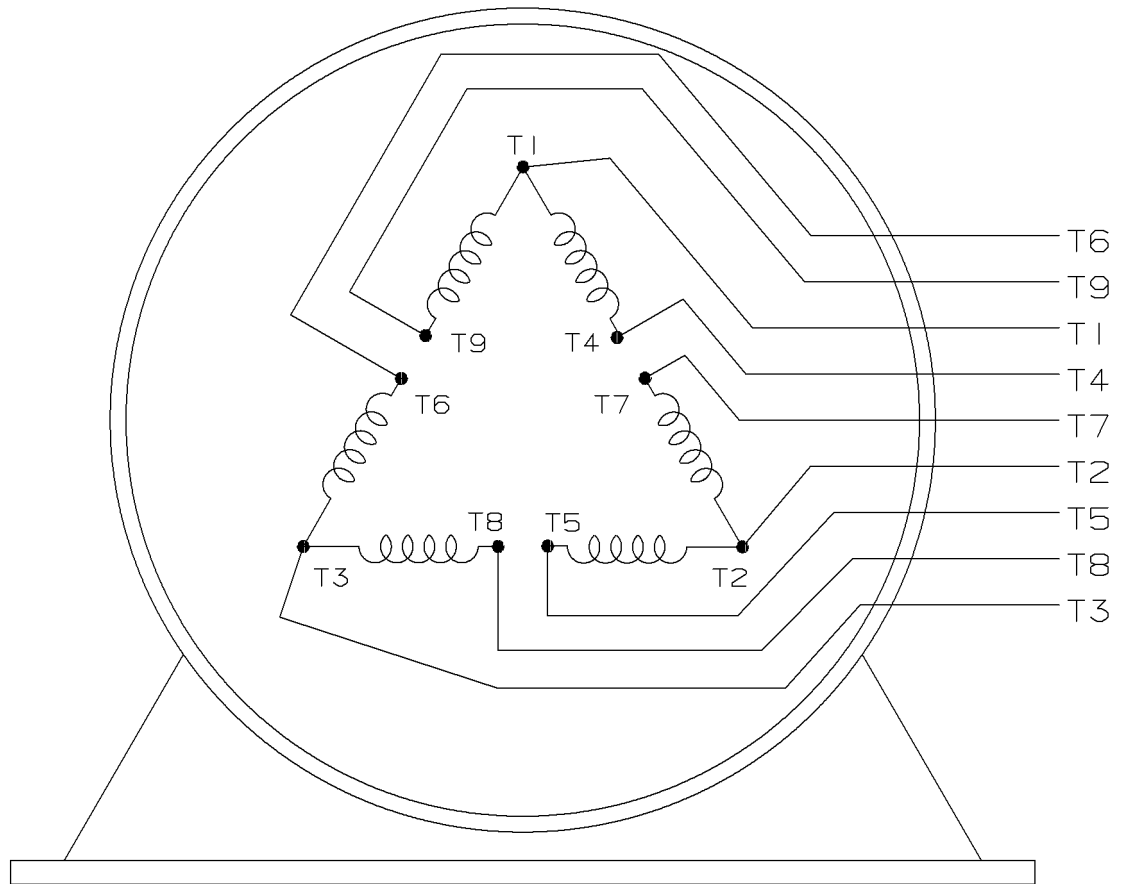
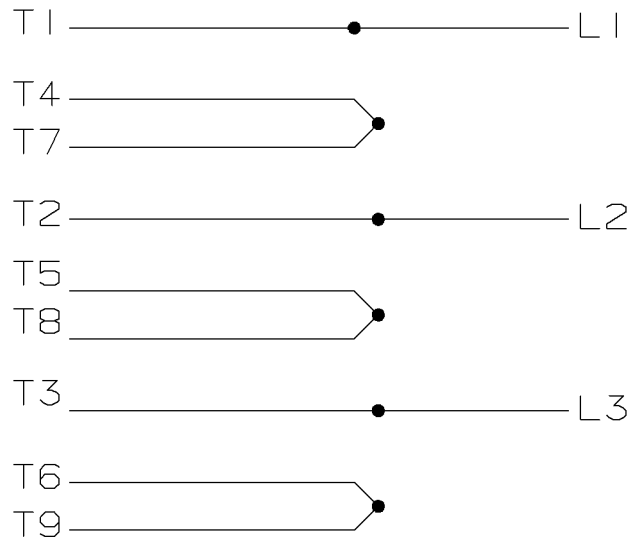
THIS DRAWING IN DESIGN AND DETAIL IS OUR PROPERTY AND MUST NOT BE USED EXCEPT IN CONNECTION WITH OUR WORK ALL RIGHTS OF DESIGN AND INVENTION ARE RESERVED THIS IS AN ELECTRONICALLY GENERATED DOCUMENT - DO NOT SCALE THIS PRINT

LOW VOLTAGE

A-EE7308K-LN



HIGH VOLTAGE



					<input checked="" type="checkbox"/> UNLESS OTHERWISE SPECIFIED DIMENSIONS ARE IN INCHES TOL. ON XX±.02 XXX±.005 XXXX±.0005 ANGLES± 7'30"			
2	08-09-1999	RE-ISSUE, ADDED '-' TO PART NUMBER	BLR		MAX. SURFACE ROUGHNESS UNLESS OTHERWISE NOTED FINISH MATERIAL		DRAWN BY TRB	07-15-1999
1	06-18-1999	NEW DRAWING	TRB			CHKD BY ML	07-15-1999	
				PART NAME CONNECTION DIAGRAM DELTA CONN. - 3Ø - 9 LEADS			DRWG NO A-EE7308K-LN	
REV	DATE	CHANGE	NAME	PURCHASED		CADD FILE NO. EE7308KLN		



CERTIFICATION DATA SHEET

2100 WASHINGTON ST.  
GRAFTON, WI  
PH. 262-277-8810

CONN. DIAGRAM: A-EE7308K-LN

OUTLINE: B-SS321100LN-1200

CATALOG #: LM15670

WINDING #: K256289 R14 6

MOUNTING: F1/F2 CAPABLE

TYPICAL MOTOR PERFORMANCE DATA

HP	kW	SYNC. RPM	F.L. RPM	FRAME	ENCLOSURE	KVA CODE	DESIGN
15&15	11.2&11.2	3600	3550&2940	254T	TEFC	G	B

PH	Hz	VOLTS	AMPS	START TYPE	DUTY	INSL	S.F.	AMB°C
3	60/50	230/460&380-415	35/17.5&21.5-20	ACROSS THE LINE	CONTINUOUS	F3	1.25/1.15	40

FULL LOAD EFF:	91.7&90.2	3/4 LOAD EFF:	91.7	1/2 LOAD EFF:	90.2	GTD. EFF		ELEC. TYPE	
FULL LOAD PF:	85&87.5	3/4 LOAD PF:	83.5	1/2 LOAD PF:	75.5	91		SQ CAGE IND RUN	

F.L. TORQUE	LOCKED ROTOR AMPS	L.R. TORQUE	B.D. TORQUE	F.L. RISE°C
22.2 LB-FT	232 / 116	41 LB-FT 185 %	65 LB-FT 293 %	50

SOUND PRESSURE @ 3 FT.	SOUND POWER	ROTOR WK^2	MAX. WK^2	SAFE STALL TIME	STARTS / HOUR	APPROX. MOTOR WGT
72 dBA	82 dBA	1.1 LB-FT^2	22 LB-FT^2	20 SEC.	2	300 LBS.

\*\*\* SUPPLEMENTAL INFORMATION \*\*\*

DE BRACKET TYPE	ODE BRACKET TYPE	MOUNT TYPE	ORIENTATION	SEVERE DUTY	HAZARDOUS LOCATION	DRIP COVER	SCREENS	PAINT
STANDARD	STANDARD	RIGID	HORIZONTAL	FALSE	NONE	FALSE	NONE	GRAY (ENAMEL)

BEARINGS		GREASE	SHAFT TYPE	SPECIAL DE	SPECIAL ODE	SHAFT MATERIAL	FRAME MATERIAL
DE	ODE						
BALL	BALL	POLYREX EM	T	NONE	NONE	1045 HOT ROLLED (C-204)	ALUMINUM
309	208						

THERMO-PROTECTORS				THERMISTORS	CONTROL	SPACE HEATERS
THERMOSTATS	PROTECTORS	WDG RTDs	BRG RTDs			
NONE	NOT	NONE	NONE	NONE	FALSE	NONE VOLTS

\*  
N  
O  
T  
E  
S  
\*

<b>INVERTER TORQUE:</b> NONE
<b>INV. HP SPEED RANGE:</b> NONE
<b>ENCODER:</b> NONE NONE NONE NONE NONE PPR
<b>BRAKE:</b> NONE NONE NONE P/N NONE NONE NONE FT-LB V NONE Hz

Data Sheet

Date: 1/19/2018

LM15670



Data @ 460 V

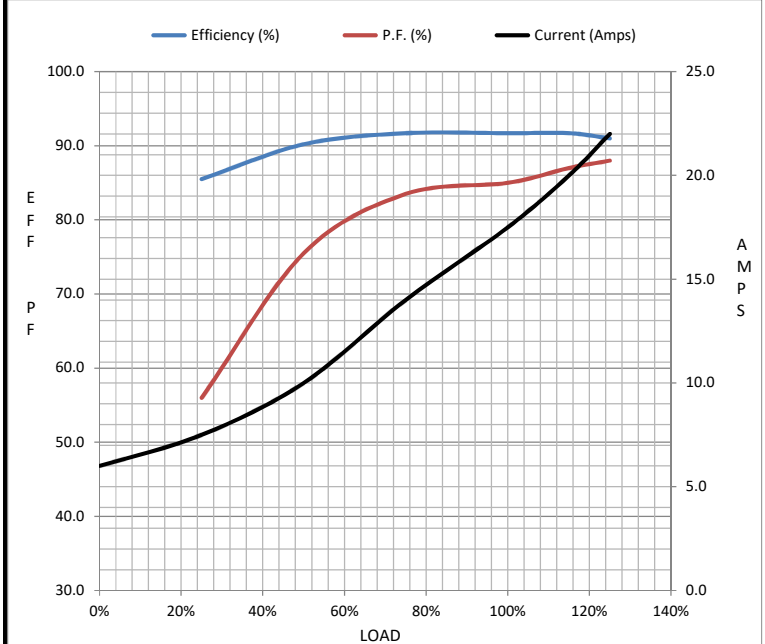
Motor Load Data

Load	0%	25%	50%	75%	100%	115%	125%	LR
Current (Amps)	6.0	7.5	10.0	14.0	17.5	20.0	22.0	116
Torque (ft-lb)	0.00	5.5	11.0	16.5	22.2	25.0	28.0	41.0
RPM	3600	3585	3570	3560	3550	3,540	3525	0
Efficiency (%)		85.5	90.2	91.7	91.7	91.7	91.0	
P.F. (%)	10.5	56.0	75.5	83.5	85.0	87.0	88.0	38.0

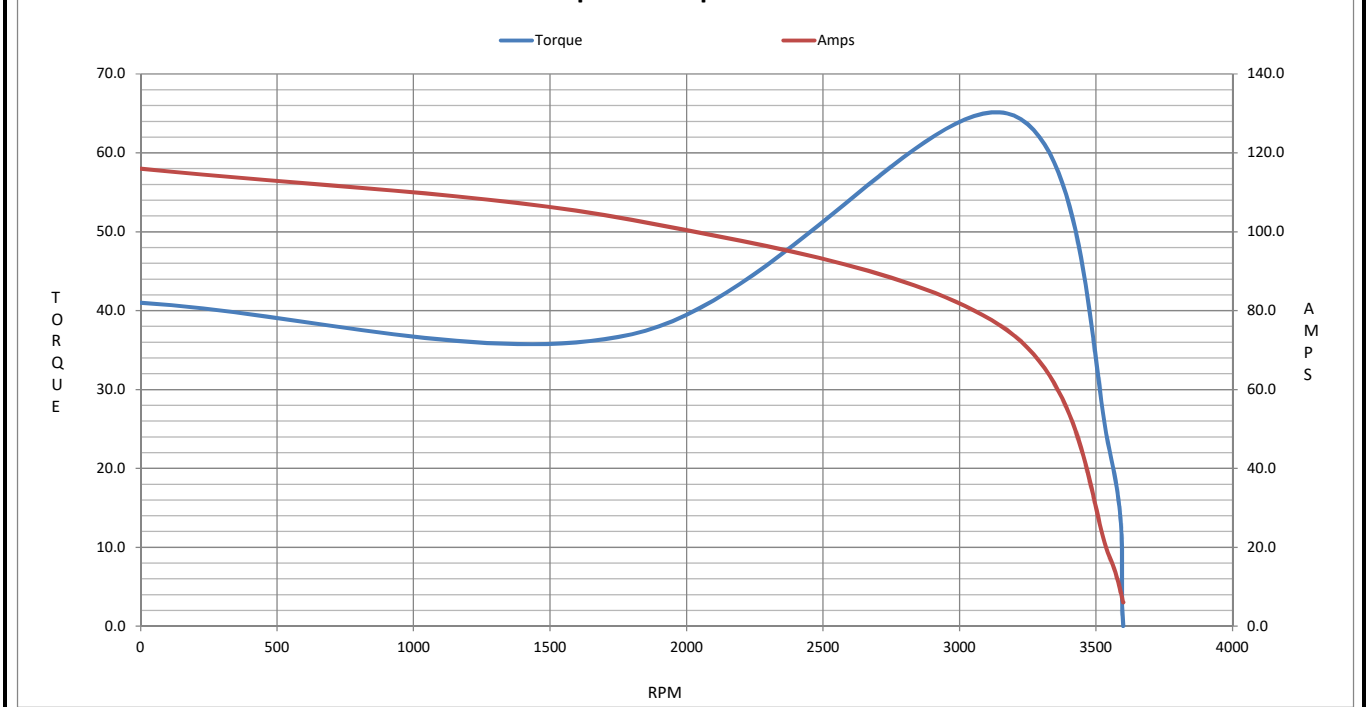
Motor Speed Data

	LR	Pull-Up	BD	Rated	Idle
Speed (RPM)	0	1800	3175	3550	3600
Current (Amps)	116	103	75.0	17.5	6.0
Torque (ft-lb)	41.0	37.0	65.0	22.2	0.00

Information Block				
HP	15.0			
Sync. RPM	3600			
Frame	254			
Enclosure	TEFC			
Construction	TFY			
Voltage	230/460#380-415 V			
Frequency	60 Hz			
Design	A			
LR Code letter	G			
Service Factor	1.15			
Temp Rise @ FL	50 °C			
Duty	CONT			
Ambient	40 °C			
Elevation	1,000 feet			
Rotor/Shaft wk <sup>2</sup>	1.10 Lb-Ft <sup>2</sup>			
Ref Wdg	K256289 R14			
Sound Pressure @ 1M	72 dBA			
VFD Rating	NONE			
Outline Dwg	B-SS321100LN-1200			
Conn. Diag	A-EE7308K-LN			
Additional Specifications:				
0				
0				
EQUIV CKT (OHMS / PHASE)				
R1	R2	X1	X2	Xm
0.0000	0.0000	0.0000	0.0000	0.0000



Speed - Torque Curve



## EC Declaration of Conformity

The undersigned representing  
the manufacturer:

Regal Beloit America  
100 East Randolph St.  
Wausau, WI 54401

and the authorized representative  
established within the Community:

Marathon Electric UK  
6F Thistleton Road Ind. Estate  
Market Overton  
Oakham, Rutland LE15 7PP UK

are committed to providing customers with products that comply with applicable regulations and international protocols to which they are subject, including the requirements of the European Parliament Directive on the Harmonization of the laws relating to electrical equipment designed for use within certain voltage limits (2014/35/EU).

Regal Beloit America declares that the following product(s), to which this declaration relates, are in conformity with the relevant sections of the EC standards listed below.

This statement supersedes any statements previously issued pertaining to the product(s) listed below and is subject to change without notice.

Model No : LM15670

(Model No. may contain prefix and/or suffix characters)

Catalog No : LM15670

Rework No : N/A

Directives :

Low Voltage Directive 2014/35/EU

Harmonized Standards Used :

EN 60034-1: 2010 (IEC 60034-1: 2010)

EN 60034-5: 2001/A1:2007 (IEC 60034-5: 2000/A1:2006)

Authorized Representative:



Michael A. Logsdon  
Vice President, Technology

Authorized Representative in the Community:



Julian Clark  
Marketing Engineer

Created on 09/01/2022

**CE 22**