

PRODUCT INFORMATION PACKET



Model No: LM15400
Catalog No: LM15400
350HP..1800RPM.449TC.TEFC.460V.3PH.60HZ.CONT.....

Regal and Leeson are trademarks of Regal Rexnord Corporation or one of its affiliated companies.
©2023 Regal Rexnord Corporation, All Rights Reserved. MC017097E





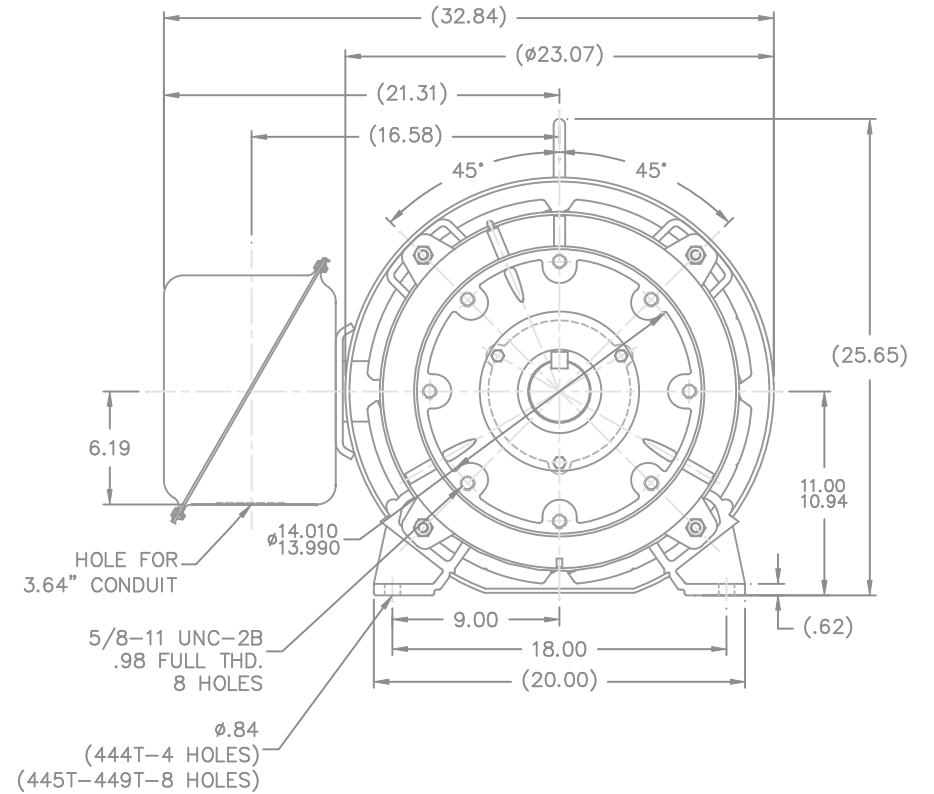
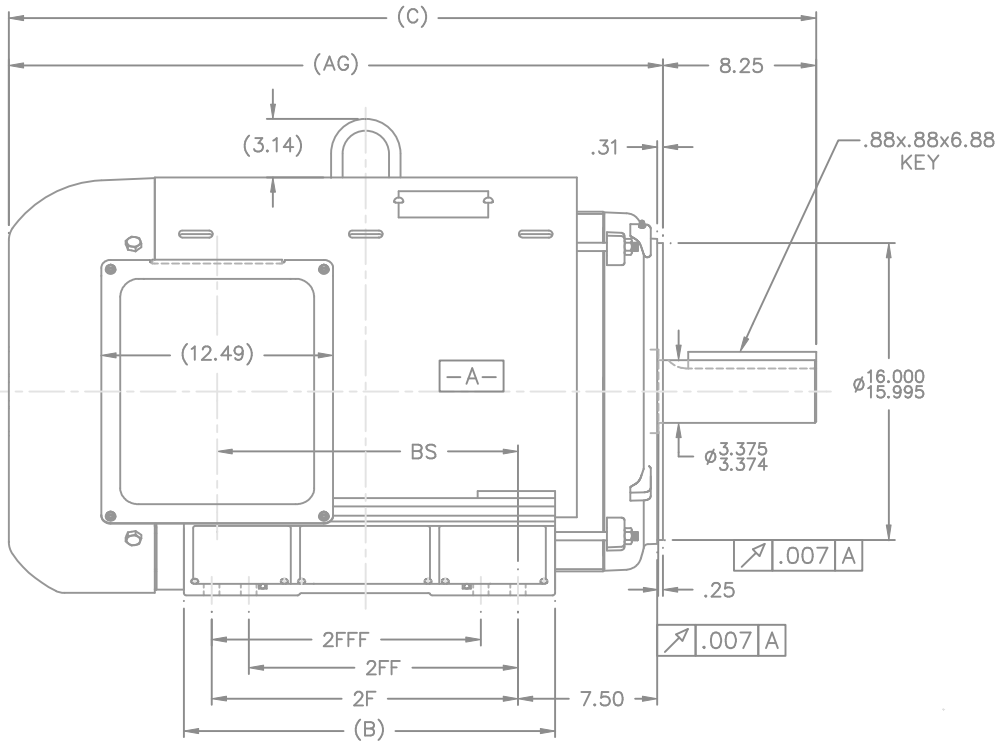
Nameplate Specifications

Phase	3	Output HP	350 & 300 Hp
Output KW	260.0 & 224.0 kW	Voltage	460 & 415 V
Speed	1785 & 1488 rpm	Service Factor	1.15 & 1.15
Frame	447/449TC	Enclosure	Totally Enclosed Fan Cooled
Thermal Protection	No Protection	Efficiency	95.4 & 95.4 %
Ambient Temperature	40 °C	Frequency	60 & 50 Hz
Current	395 & 380 A	Power Factor	87
Duty	Continuous	Insulation Class	F
Design Code	B	KVA Code	G
Drive End Bearing Size	318	Opp Drive End Bearing Size	315
UL	Recognized	CSA	Y
CE	Y	IP Code	43
Number of Speeds	1		

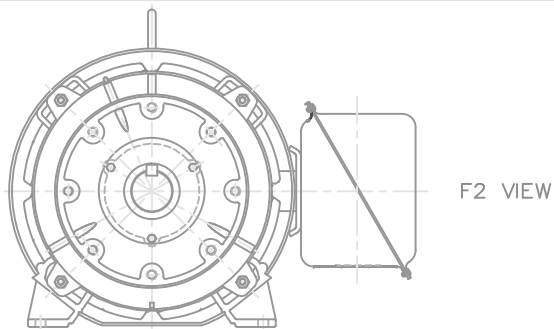
Technical Specifications

Electrical Type	Squirrel Cage Induction Run	Starting Method	Wye Start Delta Run
Poles	4	Rotation	Reversible
Resistance Main	.0131 Ohms	Mounting	Rigid Base
Motor Orientation	Horizontal	Drive End Bearing	Ball
Opp Drive End Bearing	Ball	Frame Material	Rolled Steel
Shaft Type	T	Assembly/Box Mounting	F1/F2 CAPABLE
Outline Drawing	XK2F1SC1-3167	Connection Drawing	A-EE7340-LN

This is an uncontrolled document once printed or downloaded and is subject to change without notice. Date Created:06/23/2023



- NOTES:
 1. CONDUIT BOX CAN BE ROTATED IN 90° STEPS
 2. NAMEPLATE TO BE READ FROM CONDUIT BOX SIDE OF MOTOR.

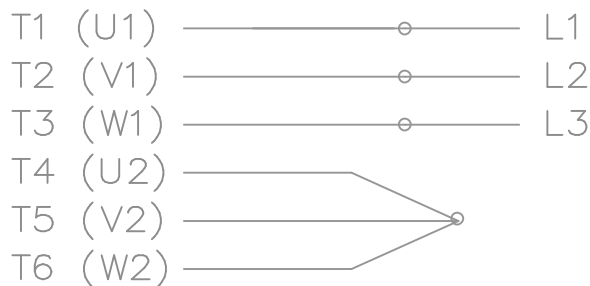


DASH	FRAME	C	AG	B	2F	2FF	2FFF	BS
2117	444T	41.49	33.24	18.00	14.50			14.20
2317	445T	43.49	35.24	20.00	16.50	14.50	14.50	16.20
2667	447T	46.99	38.74	23.50	20.00	16.50	16.50	19.70
3167	449T	51.99	43.74	28.50	25.00	20.00	20.00	23.95

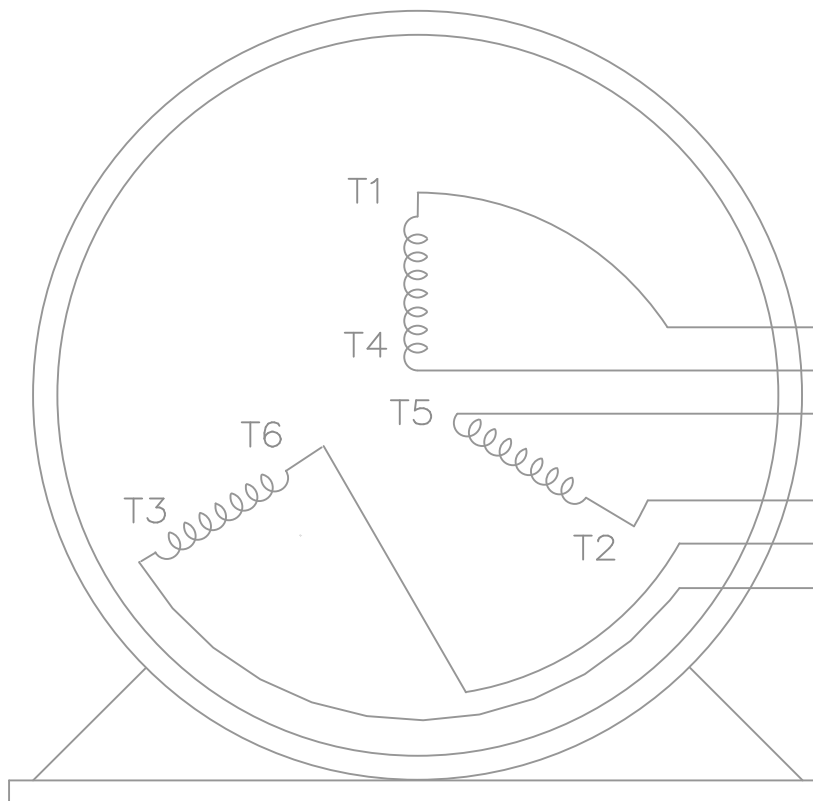
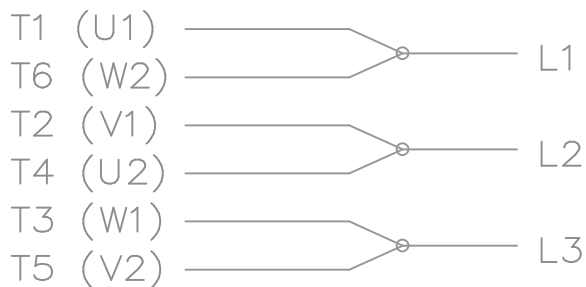
		TOLERANCES UNLESS SPECIFIED		Lincoln MOTORS		DRAWN BJK 08-13-2002	
		DEC.	INCHES			CHK	ML 08-13-2002
		.X	±.1			APPD	HNH 08-19-2002
3	REPLACED BLOWER SHROUD PER ISAAC 08-5529	MSG	01-08-2009	MSG	.XX ±.03	SCALE	3=20
2	Ø14.010/13.990 WAS Ø13.518/13.498 CN 32990	DRS	02-17-2005	ML	.XXX ±.005	REF	
1	NEW DRAWING	BJK	08-19-2002	HNH	.XXXX ±.0005	FMF	
NO.	REVISION	BY & DATE		CHK	ANG ±7'30"	FINSH	PREV
THIS DRAWING IN DESIGN AND DETAIL IS OUR PROPERTY AND MUST NOT BE USED EXCEPT IN CONNECTION WITH OUR WORK ALL RIGHTS OF DESIGN AND INVENTION ARE RESERVED THIS IS AN ELECTRONICALLY GENERATED DOCUMENT - DO NOT SCALE THIS PRINT				RFP	CAD FILE xk2f1sc1	SIZE	DRAWING NO. PAGE OF REV.
				DIST	BY	B	XK2F1SC1 3

THREE PHASE – Y START
Δ RUN MOTOR

START

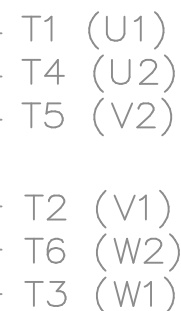


RUN




VIEW OF TERMINAL END

NOTE:
IEC LEAD MARKINGS ARE NOTED
IN PARENTHESES



T6CK
T6BM
T4CC
T2DL
T4C

				TOLERANCES UNLESS SPECIFIED			DRAWN BLR 10-04-1999		
				DEC.	INCHES		CHK DRS 10-04-1999		
				.X	±.1		APPD TB 10-04-1999		
3	REVISED TO MATCH M.E. ORIGINAL	TAT 07-25-2005	ML	.XX	±.02	TITLE CONNECTION DIAGRAM 3Ø – WYE START DELTA RUN	SCALE 1=1		
2	REVISED DRAWING MISTAKE CN 29200-2980	ERH 05-15-2003	ML	.XXX	±.005		REF		
1	NEW DRAWING	BLR 10-09-1999		.XXXX	±.0005		FMF		
NO.	REVISION	BY & DATE	CHK	ANG	±7'30"	FINISH	PREV		
THIS DRAWING IN DESIGN AND DETAIL IS OUR PROPERTY AND MUST NOT BE USED EXCEPT IN CONNECTION WITH OUR WORK ALL RIGHTS OF DESIGN AND INVENTION ARE RESERVED THIS IS AN ELECTRONICALLY GENERATED DOCUMENT – DO NOT SCALE THIS PRINT				RFP	CAD FILE ee7340_In		SIZE	DRAWING NO. PAGE OF	REV.
				DIST	WA-LB-SB		A	EE7340-LN 3	3