

# PRODUCT INFORMATION PACKET



Model No: LM13964  
Catalog No: LM13964

General Purpose Motor, 30 & 25 HP, 3 Ph, 60 & 50 Hz, 230/460 & 190-208/380-415 V, 1800 & 1500 RPM,  
286T Frame, TEFC



Regal and Leeson are trademarks of Regal Rexnord Corporation or one of its affiliated companies.  
©2025 Regal Rexnord Corporation, All Rights Reserved. MC017097E



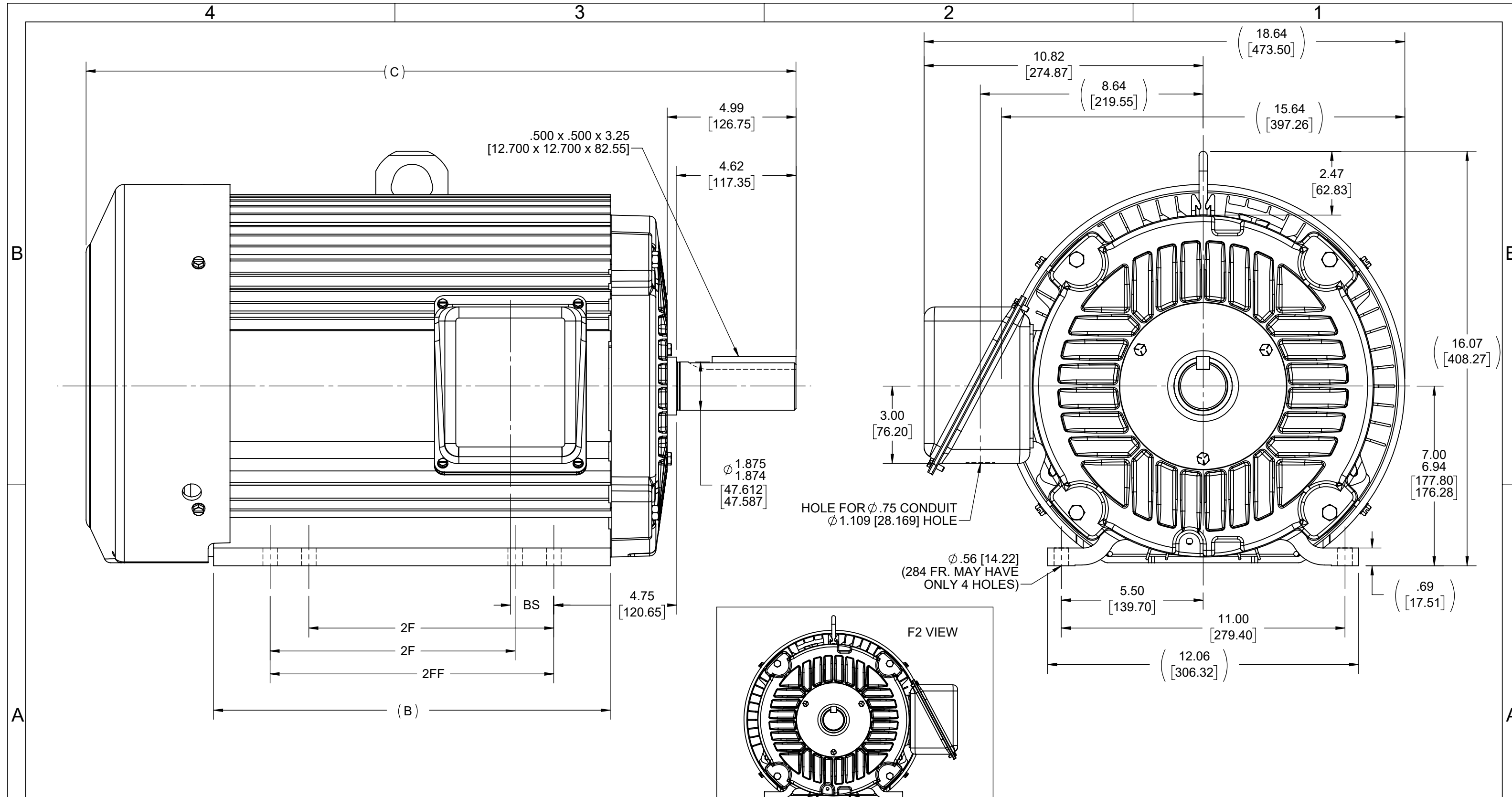


### Nameplate Specifications

Phase	<b>3</b>	Output HP	<b>30 &amp; 25 Hp</b>
Output KW	<b>22.4 &amp; 18.7 kW</b>	Voltage	<b>230/460 &amp; 190-208/380-415 V</b>
Speed	<b>1777 &amp; 1475 r/min</b>	Service Factor	<b>1.25 &amp; 1.15</b>
Frame	<b>286T</b>	Enclosure	<b>Totally Enclosed Fan Cooled</b>
Thermal Protection	<b>No Protection</b>	Efficiency	<b>93.6 &amp; 92.4 %</b>
Ambient Temperature	<b>40 °C</b>	Frequency	<b>60 &amp; 50 Hz</b>
Current	<b>75/37.5 &amp; 75-72/37.5-36 A</b>	Power Factor	<b>80</b>
Duty	<b>Continuous</b>	Insulation Class	<b>F</b>
Design Code	<b>B</b>	KVA Code	<b>G</b>
Drive End Bearing Size	<b>6312</b>	Opp Drive End Bearing Size	<b>6209</b>
UL	<b>Recognized</b>	CSA	<b>Y</b>
CE	<b>Y</b>	IP Code	<b>43</b>
Number of Speeds	<b>1</b>		

### Technical Specifications

Electrical Type	<b>Squirrel Cage Induction Run</b>	Starting Method	<b>Wye Start Delta Run</b>
Poles	<b>4</b>	Rotation	<b>Reversible</b>
Resistance Main	<b>.245 O</b>	Mounting	<b>Rigid Base</b>
Motor Orientation	<b>Horizontal</b>	Drive End Bearing	<b>Ball</b>
Opp Drive End Bearing	<b>Ball</b>	Frame Material	<b>Aluminum</b>
Shaft Type	<b>T</b>	Overall Length	<b>28.12 in</b>
Frame Length	<b>15.25 in</b>	Shaft Diameter	<b>1.875 in</b>
Shaft Extension	<b>4.62 in</b>	Assembly/Box Mounting	<b>F1/F2 CAPABLE</b>
Connection Drawing	<b>3A263-2</b>	Outline Drawing	<b>XF5F1SS1-1525</b>



DASH	FRAME	B	C	2F	2FF	BS
1375	284T	13.87 [352.30]	26.02 [660.91]	---	9.50 [241.30]	1.68 [42.70]
1525	286T	15.38 [390.65]	27.52 [699.11]	9.50 [241.30]	11.00 [279.40]	1.68 [42.70]

DRAWING REVISION E	REVISION BY KR	REV DATE/© DATE 10/27/2022
REQUEST NUMBER CR-0012157	APPROVED BY KR	DATE 10/27/2022
REQUEST NUMBER DESCRIPTION UPDATED REAR BRACKET		
<small>COPYRIGHT (PER REVISION DATE) REGAL BELOIT AMERICA, INC. ALL RIGHTS RESERVED. PROPRIETARY AND CONFIDENTIAL INFORMATION - THIS DOCUMENT IS THE PROPERTY OF REGAL BELOIT AMERICA, INC. ("OWNER") AND CONTAINS OWNER'S PROPRIETARY INFORMATION. ANY PERSON, CORPORATION OR OTHER FIRM RECEIVING IT IS DEEMED, BY RECEIVING IT, TO AGREE THAT IT, AND/OR ANY PART OF IT, SHALL NOT BE DISCLOSED TO ANY PERSON, CORPORATION OR OTHER ENTITY, DUPLICATED, AND/OR USED, EXCEPT AS EXPRESSLY APPROVED IN WRITING IN ADVANCE BY OWNER. THIS DOCUMENT SHALL BE RETURNED TO OWNER UPON REQUEST. IT MAY BE SUBJECT TO CERTAIN RESTRICTIONS UNDER APPLICABLE EXPORT CONTROL LAWS AND REGULATIONS.</small>		

TOLERANCES (EXCEPT AS NOTED):  
 DEC. INCH mm ANGLE  
 .X ±0.1 [±3] ±7° 30"  
 .XX ±0.03 [±0.8]  
 .XXX ±0.005 [±0.13]  
 .XXXX ±0.0005 [±0.013]  
 REMOVE BURRS & BREAK SHARP EDGES: .003/.015 [.08/.38] X 45°  
 CORNER FILLETS: R.02 [.5]  
 MACHINED SURFACES: 200 INCH/mm 5.1  
 mm DIMENSIONS IN [BRACKETS] ARE FOR REFERENCE ONLY

DRAWN BY  
TJB  
 DATE  
09-05-2001  
 APPROVED BY  
JMM  
 DATE  
09-05-2001  
 REFERENCE  
 THIRD ANGLE PROJECTION

**Regal Rexnord** Regal Beloit America, Inc.

DESCRIPTION  
**OUTLINE**  
280T FR. - TEFC - UE

MATERIAL PROCESS/FINISH

SIZE **B** DRAWING NUMBER **XF5F1SS1** SHEET 1 OF 1

Data Sheet

Date: 1/31/2018

LM13964



Data @ 460 V

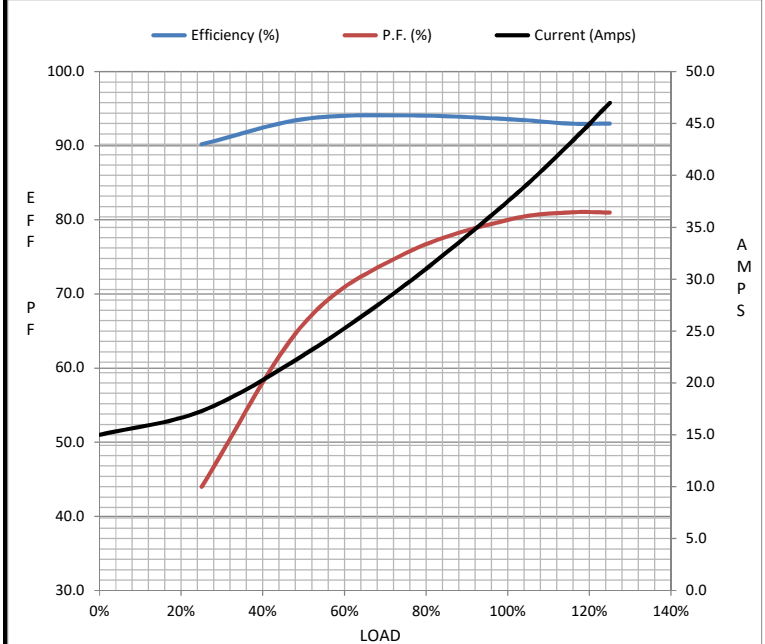
Motor Load Data

Load	0%	25%	50%	75%	100%	115%	125%	LR
Current (Amps)	15.0	17.3	22.7	29.5	37.5	43.0	47.0	217
Torque (ft-lb)	0.00	22.0	44.0	66.5	88.5	103	112	218
RPM	1800	1795	1790	1783	1777	1.773	1770	0
Efficiency (%)		90.2	93.6	94.1	93.6	93.0	93.0	
P.F. (%)	3.0	44.0	66.0	75.5	80.0	81.0	81.0	44.0

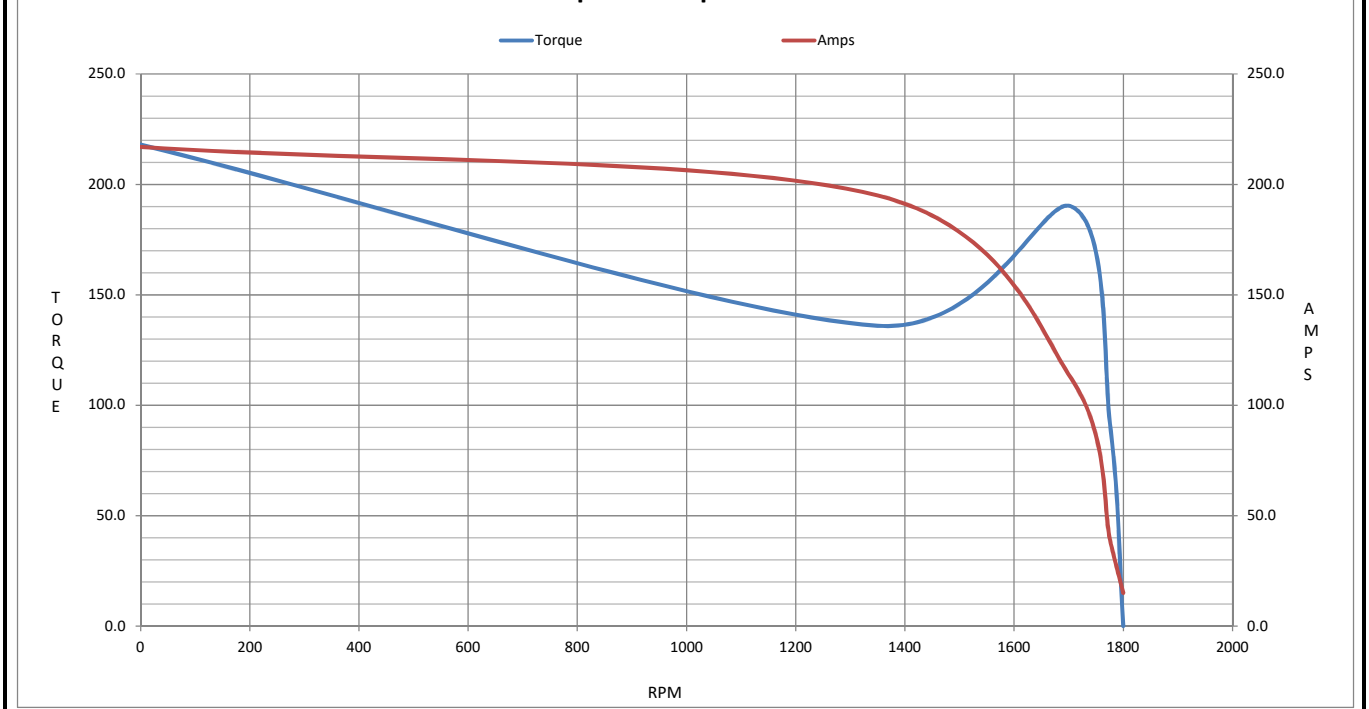
Motor Speed Data

	LR	Pull-Up	BD	Rated	Idle
Speed (RPM)	0	1350	1705	1777	1800
Current (Amps)	217	195	112	37.5	15.0
Torque (ft-lb)	218	136	190	88.5	0.00

Information Block				
HP	30.0			
Sync. RPM	1800			
Frame	286			
Enclosure	TEFC			
Construction	TFL			
Voltage	230/460#190-208/380-415 V			
Frequency	60 Hz			
Design	B			
LR Code letter	G			
Service Factor	1.15			
Temp Rise @ FL	70 °C			
Duty	CONT			
Ambient	40 °C			
Elevation	1,000 feet			
Rotor/Shaft wk <sup>2</sup>	5.3 Lb-Ft <sup>2</sup>			
Ref Wdg	L2864032 NONE			
Sound Pressure @ 1M	999 dBA			
VFD Rating	NONE			
Outline Dwg	XF5F1SS1-1525			
Conn. Diag	3A263-2			
Additional Specifications:				
0				
0				
EQUIV CKT (OHMS / PHASE)				
R1	R2	X1	X2	Xm
0.1660	0.0950	0.7090	1.3420	17.6720



Speed - Torque Curve



## EC Declaration of Conformity

The undersigned representing  
the manufacturer:

Regal Beloit America  
100 East Randolph St.  
Wausau, WI 54401

and the authorized representative  
established within the Community:

Marathon Electric UK  
6F Thistleton Road Ind. Estate  
Market Overton  
Oakham, Rutland LE15 7PP UK

are committed to providing customers with products that comply with applicable regulations and international protocols to which they are subject, including the requirements of the European Parliament Directive on the Harmonization of the laws relating to electrical equipment designed for use within certain voltage limits (2014/35/EU).

Regal Beloit America declares that the following product(s), to which this declaration relates, are in conformity with the relevant sections of the EC standards listed below.

This statement supersedes any statements previously issued pertaining to the product(s) listed below and is subject to change without notice.

Model No : LM13964

(Model No. may contain prefix and/or suffix characters)

Catalog No : LM13964

Rework No : N/A

Directives :

Low Voltage Directive 2014/35/EU

Harmonized Standards Used :

EN 60034-1: 2010 (IEC 60034-1: 2010)

EN 60034-5: 2001/A1:2007 (IEC 60034-5: 2000/A1:2006)

Authorized Representative:



Michael A. Logsdon  
Vice President, Technology

Authorized Representative in the Community:



Julian Clark  
Marketing Engineer

Created on 09/01/2022

**CE 22**