

# PRODUCT INFORMATION PACKET



Model No: LM13704

Catalog No: LM13704

General Purpose Motor, 125 & 125 HP, 3 Ph, 60 & 50 Hz, 460 & 415 V, 1800 & 1500 RPM, 444T Frame,  
TEFC



Regal and Leeson are trademarks of Regal Rexnord Corporation or one of its affiliated companies.

©2023 Regal Rexnord Corporation, All Rights Reserved. MC017097E





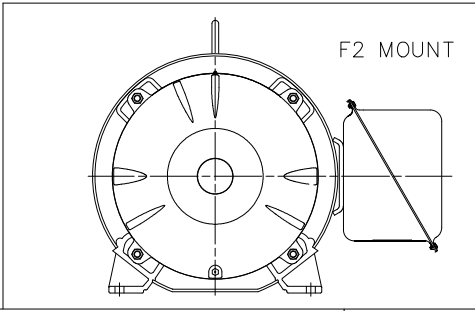
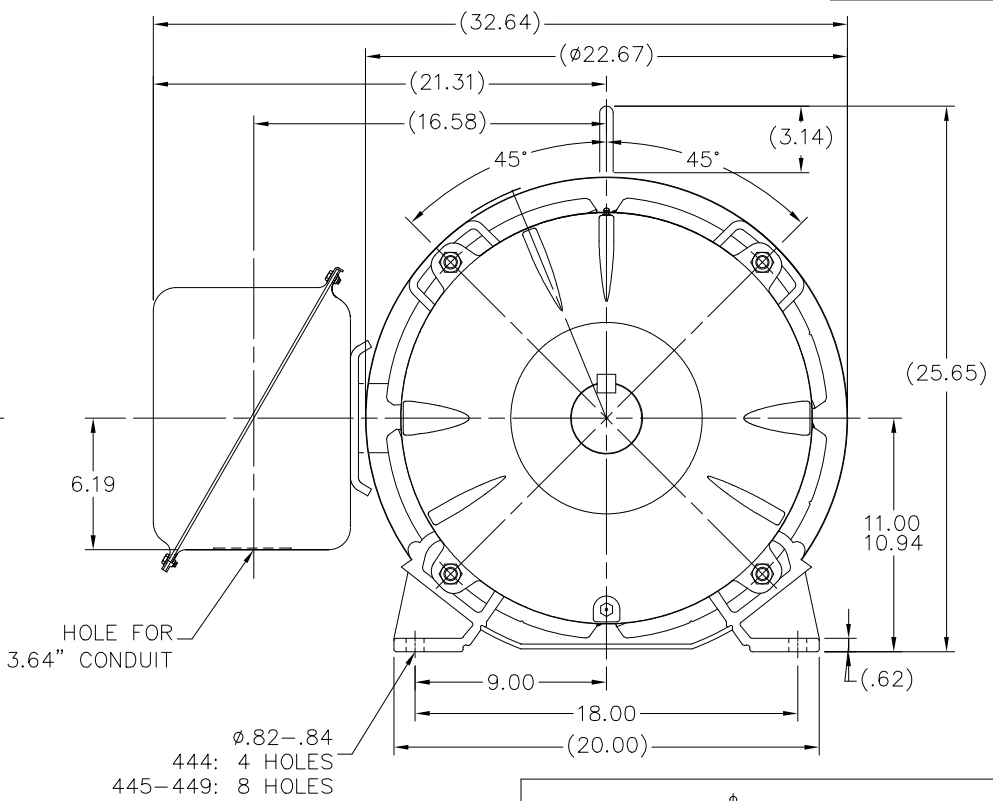
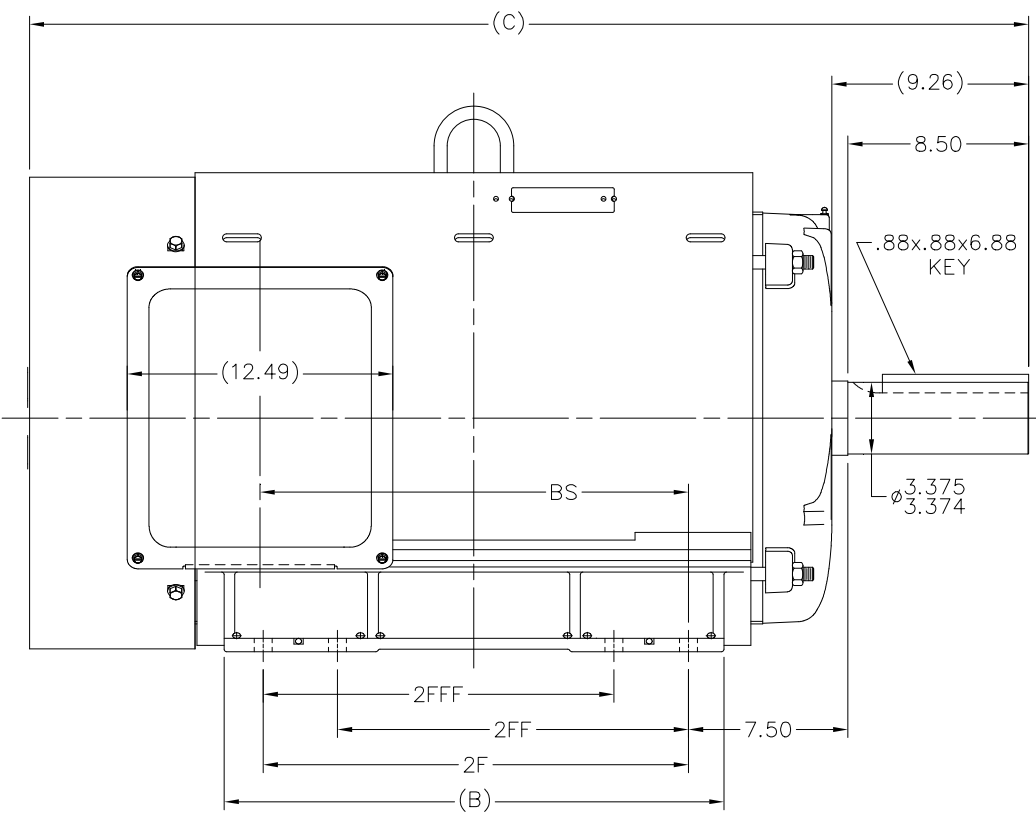
### Nameplate Specifications

Phase	<b>3</b>	Output HP	<b>125 &amp; 125 Hp</b>
Output KW	<b>93.3 &amp; 93.3 kW</b>	Voltage	<b>460 &amp; 415 V</b>
Speed	<b>1785 &amp; 1480 rpm</b>	Service Factor	<b>1.15 &amp; 1.0</b>
Frame	<b>444T</b>	Enclosure	<b>Totally Enclosed Fan Cooled</b>
Thermal Protection	<b>No Protection</b>	Efficiency	<b>96.2 &amp; 95.8 %</b>
Ambient Temperature	<b>40 °C</b>	Frequency	<b>60 &amp; 50 Hz</b>
Current	<b>146 &amp; 163 A</b>	Power Factor	<b>83.5</b>
Duty	<b>Continuous</b>	Insulation Class	<b>F</b>
Design Code	<b>B</b>	KVA Code	<b>G</b>
Drive End Bearing Size	<b>318</b>	Opp Drive End Bearing Size	<b>315</b>
UL	<b>Recognized</b>	CSA	<b>Y</b>
CE	<b>Y</b>	IP Code	<b>43</b>
Number of Speeds	<b>1</b>		

### Technical Specifications

Electrical Type	<b>Squirrel Cage Induction Run</b>	Starting Method	<b>Wye Start Delta Run</b>
Poles	<b>4</b>	Rotation	<b>Reversible</b>
Resistance Main	<b>.03 Ohms</b>	Mounting	<b>Rigid Base</b>
Motor Orientation	<b>Horizontal</b>	Drive End Bearing	<b>Ball</b>
Opp Drive End Bearing	<b>Ball</b>	Frame Material	<b>Rolled Steel</b>
Shaft Type	<b>T</b>	Overall Length	<b>41.58 in</b>
Frame Length	<b>21.17 in</b>	Shaft Diameter	<b>3.375 in</b>
Shaft Extension	<b>8.5 in</b>	Assembly/Box Mounting	<b>F1/F2 CAPABLE</b>
Connection Drawing	<b>A-EE7340-LN</b>	Outline Drawing	<b>XK2F1SS1-2117</b>

XK2F1SS1



NOTES:  
 1. CONDUIT BOX CAN BE ROTATED IN 90° STEPS.  
 2. NAMEPLATES TO BE READ FROM CONDUIT BOX SIDE OF MOTOR.

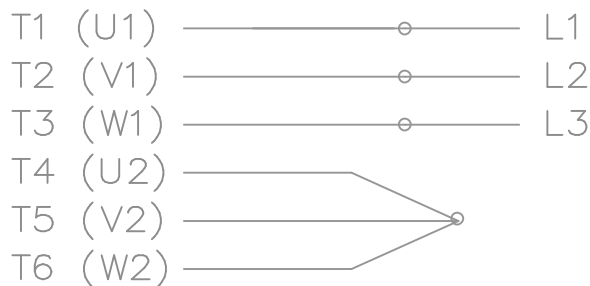
2117	444T	41.58	--	18.00	14.50			14.62
2317	445T	43.58	--	20.00	16.50	14.50	14.50	16.64
2667	447T	47.08	--	23.50	20.00	16.50	16.50	20.14
3167	449T	52.08	--	28.50	25.00	20.00	20.00	25.14
DASH	FRAME	C	AG	B	2F	2FF	2FFF	BS

		TOLERANCES UNLESS SPECIFIED				DRAWN MSG 09-19-2001	
		DEC.	INCHES			CHK ML 09-21-2001	
		.X	±.1	TITLE OUTLINE NEMA MOTORS		APPD HNH 09-24-2001	
		.XX	±.03	440T TEFC UEI		SCALE 1=6	
		.XXX	±.005	MAT'L		REF	
8	Change from 3C223-K4 to 557963 fan guard	MK	11-10-2021	VJR	.XXXX ±.0005	FMF	
NO.	REVISION	BY & DATE	CHK	ANG	±7'30"	PREV	
		RFP	CAD FILE xk2f1ss1		SIZE	DRAWING NO.	PAGE OF
		DIST	BY	B	XK2F1SS1	8	REV. 8

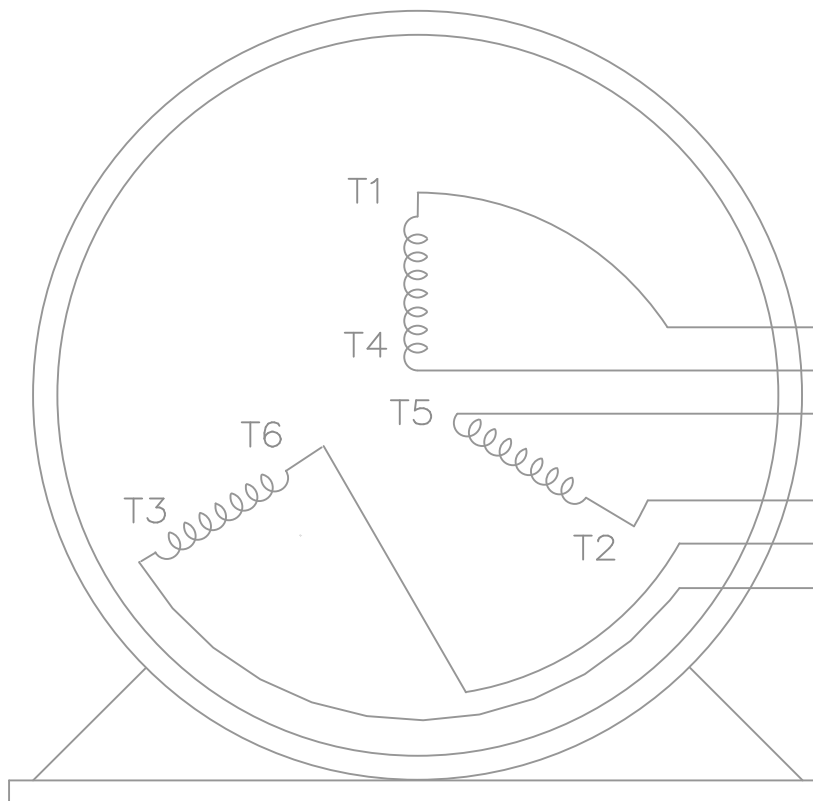
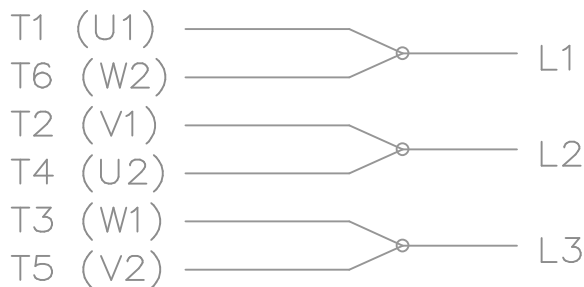
THIS DRAWING IN DESIGN AND DETAIL IS OUR PROPERTY AND MUST NOT BE USED EXCEPT IN CONNECTION WITH OUR WORK ALL RIGHTS OF DESIGN AND INVENTION ARE RESERVED THIS IS AN ELECTRONICALLY GENERATED DOCUMENT - DO NOT SCALE THIS PRINT

THREE PHASE – Y START  
Δ RUN MOTOR

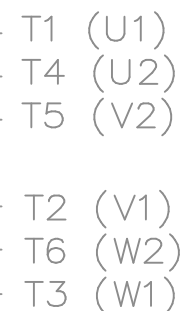
START



RUN




VIEW OF TERMINAL END



NOTE:  
IEC LEAD MARKINGS ARE NOTED  
IN PARENTHESES

T6CK  
T6BM  
T4CC  
T2DL  
T4C

			TOLERANCES UNLESS SPECIFIED			DRAWN BLR 10-04-1999		
			DEC.	INCHES		CHK DRS 10-04-1999		
			.X	±.1		APPD TB 10-04-1999		
3	REVISED TO MATCH M.E. ORIGINAL	TAT 07-25-2005	ML	.XX	±.02	TITLE CONNECTION DIAGRAM	SCALE 1=1	
2	REVISED DRAWING MISTAKE CN 29200-2980	ERH 05-15-2003	ML	.XXX	±.005	3Ø – WYE START DELTA RUN	REF	
1	NEW DRAWING	BLR 10-09-1999		.XXXX	±.0005	MAT'L.	FMF	
NO.	REVISION	BY & DATE	CHK	ANG	±7'30"	FINISH	PREV	
THIS DRAWING IN DESIGN AND DETAIL IS OUR PROPERTY AND MUST NOT BE USED EXCEPT IN CONNECTION WITH OUR WORK ALL RIGHTS OF DESIGN AND INVENTION ARE RESERVED THIS IS AN ELECTRONICALLY GENERATED DOCUMENT – DO NOT SCALE THIS PRINT			RFP	CAD FILE ee7340_In		SIZE A	DRAWING NO. EE7340-LN	PAGE OF 3
			DIST	WA-LB-SB				REV. 3



**CERTIFICATION DATA SHEET**

**2100 WASHINGTON ST.  
GRAFTON, WI  
PH. 262-277-8810**

**CONN. DIAGRAM:** A-EE7340-LN

**OUTLINE:** XK2F1SS1-2117

**CATALOG #:** LM13704

**WINDING #:** L4444016 1

**MOUNTING:** F1/F2 CAPABLE

**TYPICAL MOTOR PERFORMANCE DATA**

HP	KW	SYNC. RPM	F.L. RPM	FRAME	ENCLOSURE	KVA CODE	DESIGN
125&125	93.3&93.3	1800	1785&1480	444T	TEFC	G	B

PH	Hz	VOLTS	AMPS	START TYPE	DUTY	INSL	S.F.	AMB°C
3	60/50	460&415	146&163	WYE START DELTA RUN	CONTINUOUS	F1	1.15/1.0	40

FULL LOAD EFF:	96.2&95.8	3/4 LOAD EFF:	96.2	1/2 LOAD EFF:	95.8	GTD. EFF	95.4	ELEC. TYPE	SQ CAGE IND RUN
FULL LOAD PF:	83.5&83	3/4 LOAD PF:	81	1/2 LOAD PF:	75.5				

F.L. TORQUE	LOCKED ROTOR AMPS	L.R. TORQUE	B.D. TORQUE	F.L. RISE°C
368 LB-FT	900	675 LB-FT 183 %	850 LB-FT 231 %	75

SOUND PRESSURE @ 3 FT.	SOUND POWER	ROTOR WK^2	MAX. WK^2	SAFE STALL TIME	STARTS / HOUR	APPROX. MOTOR WGT
75 dBA	85 dBA	0 LB-FT^2	- LB-FT^2	- SEC.	-	- LBS.

**\*\*\* SUPPLEMENTAL INFORMATION \*\*\***

DE BRACKET TYPE	ODE BRACKET TYPE	MOUNT TYPE	ORIENTATION	SEVERE DUTY	HAZARDOUS LOCATION	DRIP COVER	SCREENS	PAINT
STANDARD	STANDARD	RIGID	HORIZONTAL	FALSE	NONE	FALSE	NONE	GRAY - LINCOLN

BEARINGS		GREASE	SHAFT TYPE	SPECIAL DE	SPECIAL ODE	SHAFT MATERIAL	FRAME MATERIAL
DE	ODE						
BALL	BALL	POLYREX EM	T	NONE	NONE	1045 HOT ROLLED (C-204)	ROLLED STEEL
318	315						

THERMO-PROTECTORS				THERMISTORS	CONTROL	SPACE HEATERS
THERMOSTATS	PROTECTORS	WDG RTDs	BRG RTDs			
NONE	NOT	NONE	NONE	NONE	FALSE	NONE VOLTS

\*  
N  
O  
T  
E  
S  
\*

<b>INVERTER TORQUE:</b> NONE
<b>INV. HP SPEED RANGE:</b> NONE
<b>ENCODER:</b> NONE NONE NONE NONE NONE PPR
<b>BRAKE:</b> NONE NONE NONE P/N NONE NONE NONE FT-LB V NONE Hz

Data Sheet

Date: 1/18/2018

LM13704



Data @ **460 V**

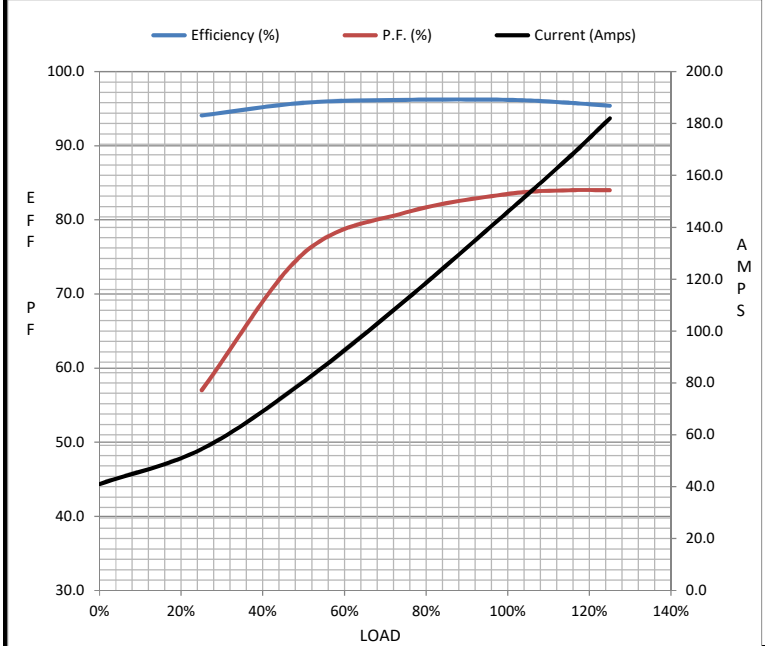
Motor Load Data

Load	0%	25%	50%	75%	100%	115%	125%	LR
Current (Amps)	41.0	54.5	80.5	112	146	167	182	900
Torque (ft-lb)	0.00	91.5	183	275	368	423	461	675
RPM	1800	1797	1793	1790	1785	1.784	1782	0
Efficiency (%)		94.1	95.8	96.2	96.2	95.8	95.4	
P.F. (%)	3.5	57.0	75.5	81.0	83.5	84.0	84.0	28.0

Motor Speed Data

	LR	Pull-Up	BD	Rated	Idle
Speed (RPM)	0	900	1725	1785	1800
Current (Amps)	900	800	600	146	41.0
Torque (ft-lb)	675	600	850	368	0.00

Information Block				
HP	125.0			
Sync. RPM	1800			
Frame	444			
Enclosure	TEFC			
Construction	TFR			
Voltage	460#415 V			
Frequency	60 Hz			
Design	B			
LR Code letter	G			
Service Factor	1.15			
Temp Rise @ FL	75 °C			
Duty	CONT			
Ambient	40 °C			
Elevation	1,000 feet			
Rotor/Shaft wk <sup>2</sup>	0.00 Lb-Ft <sup>2</sup>			
Ref Wdg	L4444016 NONE			
Sound Pressure @ 1M	75 dBA			
VFD Rating	NONE			
Outline Dwg	XK2F1SS1-2117			
Conn. Diag	A-EE7340-LN			
Additional Specifications:				
0				
0				
EQUIV CKT (OHMS / PHASE)				
R1	R2	X1	X2	Xm
0.0250	0.0160	0.2000	0.2520	6.3790



Speed - Torque Curve

