

PRODUCT INFORMATION PACKET

Model No: LM03473

Catalog No: LM03473

Encoder Motors, TEBC - Axial, 100 HP, 3 Ph, 60 Hz, 230/460 V, 1785 RPM, 405T Frame



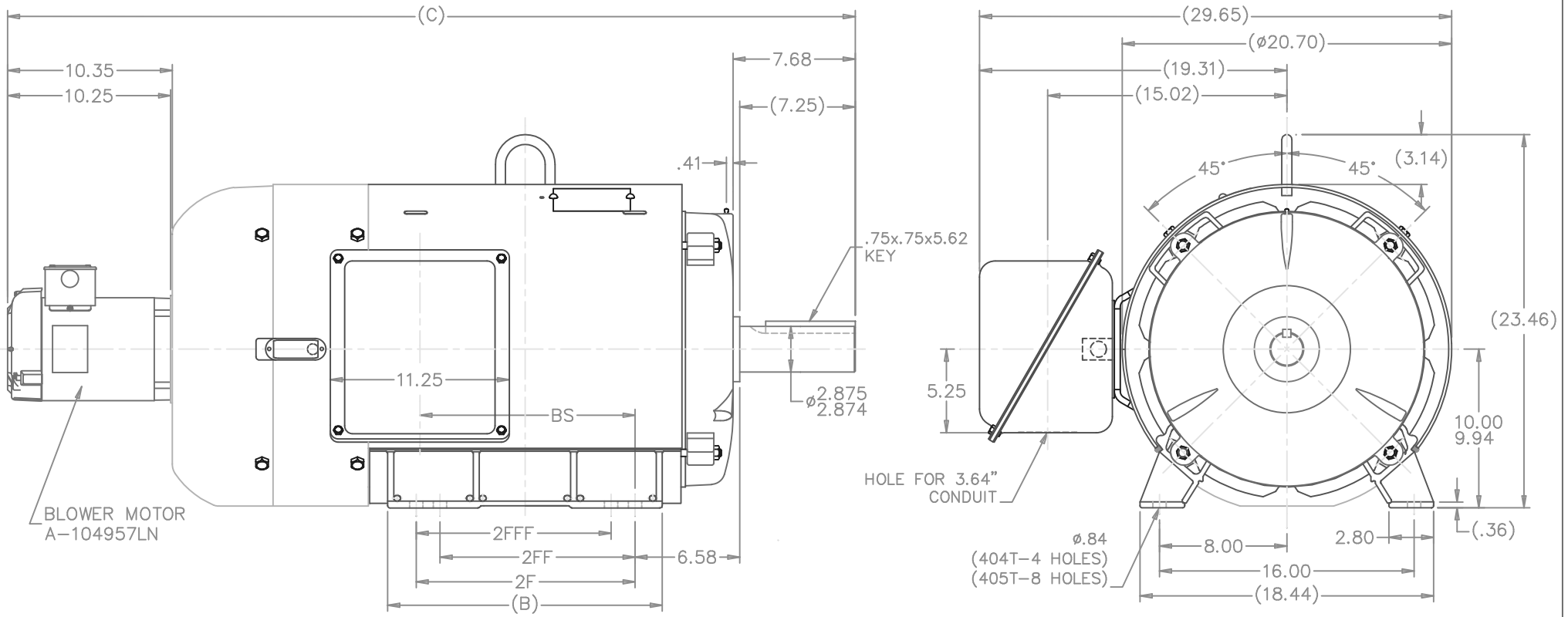
Regal and are trademarks of Regal Rexnord Corporation or one of its affiliated companies.
©2022 Regal Rexnord Corporation, All Rights Reserved. MC017097E

Nameplate Specifications

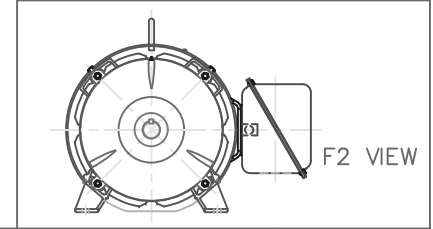
Output HP	100 Hp	Output KW	75.0 kW
Frequency	60 Hz	Voltage	230/460 V
Current	240.0/120.0 A	Speed	1785 rpm
Service Factor	1	Phase	3
Efficiency	94.5 %	Power Factor	82
Duty	Continuous	Insulation Class	F
Design Code	A	KVA Code	J
Frame	405T	Enclosure	Totally Enclosed Blower cooled - Axial
Thermal Protection	No Protection	Ambient Temperature	40 °C
Drive End Bearing Size	315	Opp Drive End Bearing Size	313
UL	Recognized	CSA	Y
CE	Y	IP Code	43
Number of Speeds	1		

Technical Specifications

Electrical Type	Squirrel Cage Inverter Duty	Starting Method	Wye Start Delta Run Or Inverter
Poles	4	Rotation	Reversible
Resistance Main	.065 Ohms	Mounting	Rigid Base
Motor Orientation	Horizontal	Drive End Bearing	Ball
Opp Drive End Bearing	Ball	Frame Material	Rolled Steel
Shaft Type	T	Overall Length	53.23 in
Frame Length	19.46 in	Shaft Diameter	2.875 in
Shaft Extension	7.25 in	Assembly/Box Mounting	F1/F2 CAPABLE
Outline Drawing	XJ2B1SS1P-1946	Connection Drawing	A-EE7308BZ-LN



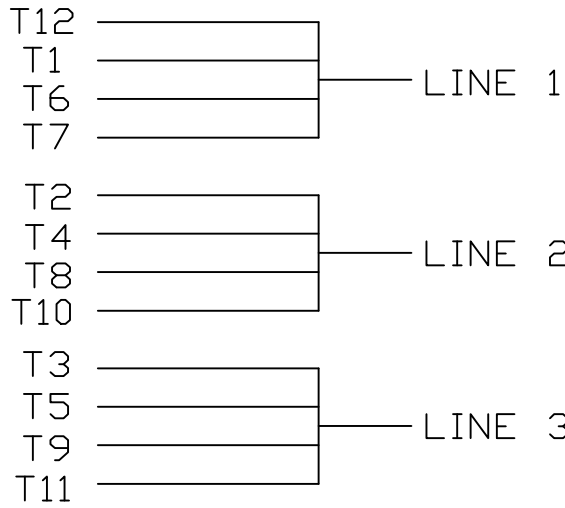
- NOTES:
 1. CONDUIT BOX CAN BE ROTATED IN 90° STEPS.
 2. NAMEPLATES TO BE READ FROM CONDUIT BOX SIDE OF MOTOR



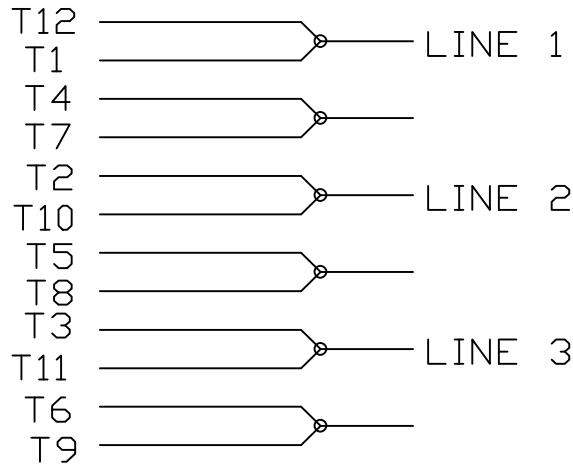
DASH	FRAME	C	B	2F	2FF	2FFF	BS
1796	404T	51.73	15.75	12.25			12.17
1946	405T	53.23	17.25	13.75	12.25	12.25	13.67

NO.		REVISION	BY & DATE	CHK	ANG	TOLERANCES UNLESS SPECIFIED	Lincoln MOTORS		DRAWN	ERH	01-08-2004	
						DEC.	INCHES			CHK	ML	01-08-2004
						.X	±.1			APPD	TB	01-08-2004
						.XX	±.03	TITLE OUTLINE		SCALE		1=6
						.XXX	±.005	400T - TEFC - UE		REF		
						.XXXX	±.0005	MAT'L		FMF		MU 49550
							±7'30"	FINISH		PREV		
THIS DRAWING IN DESIGN AND DETAIL IS OUR PROPERTY AND MUST NOT BE USED EXCEPT IN CONNECTION WITH OUR WORK ALL RIGHTS OF DESIGN AND INVENTION ARE RESERVED THIS IS AN ELECTRONICALLY GENERATED DOCUMENT - DO NOT SCALE THIS PRINT				RFP	01-08-2004	CAD FILE XJ2B1SS1P		SIZE	DRAWING NO.	PAGE	OF	REV.
				DIST	BY			B	XJ2B1SS1P			

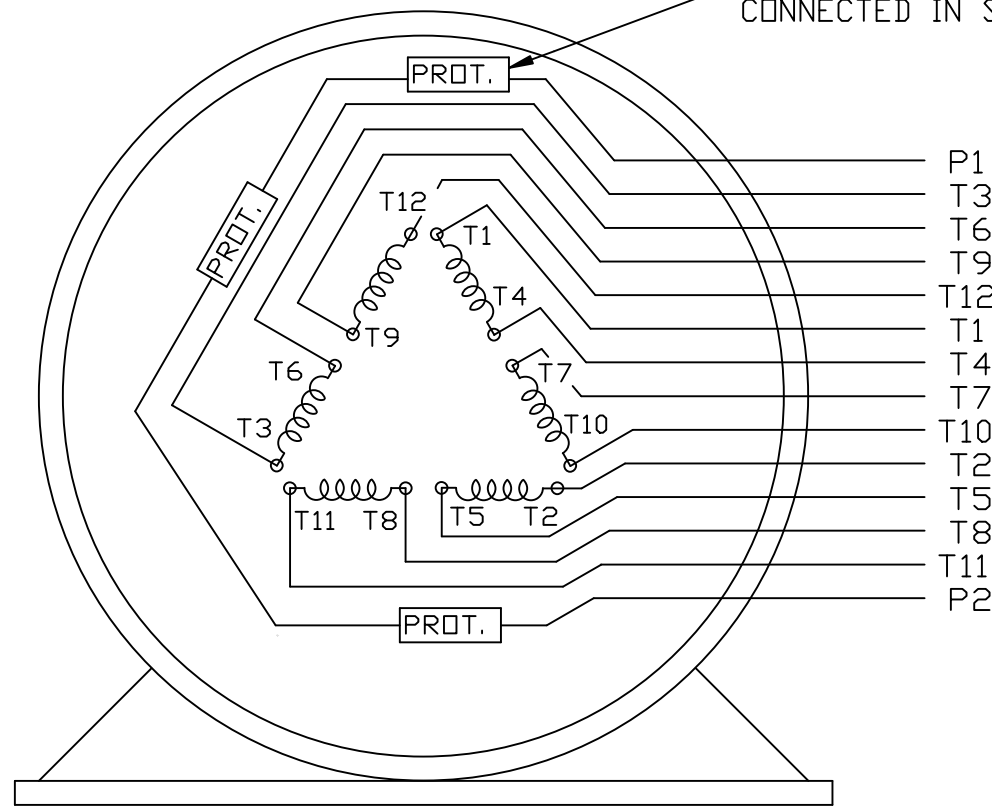
LOW VOLTAGE



HIGH VOLTAGE



THERMO - PROTECTORS
CONNECTED IN SERIES.



VIEW OF TERMINAL END

					✓ UNLESS OTHERWISE SPECIFIED DIMENSIONS ARE IN INCHES TOL. ON XX± XXX± XXXX± ANGLES±				
2	08/17/2011	REMOVED NOTE '12 LEADS SINGLE VOLTAGE'	MU103768		RFH	MAX. SURFACE ROUGHNESS UNLESS OTHERWISE NOTED		DRAWN BY KL	12-11-2000
1	12-11-2000	NEW DRAWING	MU34925		KL	FINISH		CHKD BY DJK	12-11-2000
REV	DATE	CHANGE			NAME	MATERIAL		APPD BY DJK	12-11-2000
					PART NAME			DRWG NO	
					3 PHASE - 2/1 DELTA - 12 LEADS			A- EE7308BZ-LN	
					PURCHASED		CADD FILE NO.	EE7308BZ-LN	



1051 CHEYENNE AVE.
GRAFTON, WI 53024
PH. 262-277-8810

DATA VOLTS: 460

CERTIFICATION DATA SHEET

CONN. DIAGRAM: A-EE7308BZ-LN
OUTLINE: XJ2B1SS1P-1946
WINDING: C4054032

CAT #: LM03473

R1 1

TYPICAL MOTOR PERFORMANCE DATA

HP	KW	SYNC RPM	FL RPM	FRAME	ENCLOSURE	TYPE	KVA CODE	DESIGN
100	75	1800	1785	405T	TEBC	TBR	J	INF

PH	HZ	VOLTS	AMPS	START TYPE	DUTY	INSL	S.F.	AMB	ELEV.
3	60	230/460	240/120	Y START D RUN OR INV	CONT	F	1.15	40	3300

F.L. EFF	94.5	3/4 LD EFF	94.5	1/2 LD EFF	94.1	GTD EFF	ELECT. TYPE
F.L. PF	82.0	3/4 LD PF	76.5	1/2 LD PF	65.0	93.6	SQ CAGE INV DUTY

F.L. TORQUE	LR AMPS @ 460 V	L.R. TORQUE	B.D. TORQUE	F.L. RISE (° C)
294 LB-FT	950	450 LB-FT 153%	900 LB-FT 306%	70

PRESSURE @ 3	SOUND	POWER	ROTOR WK²	MAX. LOAD WK²	SAFE STALL TIME	STARTS/HOUR	MOTOR WGT
999 dBA	1008 dBA		23.0 LB-FT²	0 LB-FT²	0 SEC.	0	0 LB.

***** SUPPLEMENTAL INFORMATION *****

DE BRACKET TYPE	ODE BRACKET TYPE	MOUNT TYPE	MOTOR ORIENTATION	SEVERE DUTY	HAZARDOUS LOCATION	DRIP COVER	SCREENS	PAINT
STANDARD	ENCODER	RIGID	HORIZONTAL	NO	NONE	NO	NONE	WATTSAVER

BEARINGS		GREASE	SHAFT TYPE	SPECIAL DE	SPECIAL ODE	SHAFT MATERIAL	FRAME MATERIAL
DE	ODE	POLYREX EM	T	NONE	NONE	1144 STRESSPROOF (C-223)	ROLLED STEEL
BALL	BALL						
315	313						

THERMOSTATS	PROTECTORS	WDG RTD's	BRG RTD's	THERMISTORS	CONTROL	SPACE HEATERS
TSTATS (N/C)	NOT	NONE	NONE	NONE	FALSE	NA

R1 (ohms/ph)	R2 (ohms/ph)	X1 (ohms/ph)	X2 (ohms/ph)	Xm (ohms/ph)	VIBRATION (in/sec)	FLOAT
0.048	0.018	0.242	0.185	4.984	0.150	ODE

* N O T E S *	INVERTER TORQUE: CONSTANT 100:1 INV. HP SPEED RANGE: NONE	
	ENCODER: BEI HSD38 C BOX W/TERM STRIP 1024 PPR	
	BRAKE: NONE NONE NONE	
	FT-LB: NA VOLTAGE: NONE HZ:	
	UL: V-INS, CONST UL REC	

DATE: 9/10/2018

Data Sheet

Date: 9/10/2018

LM03473



Data @ **460 V**

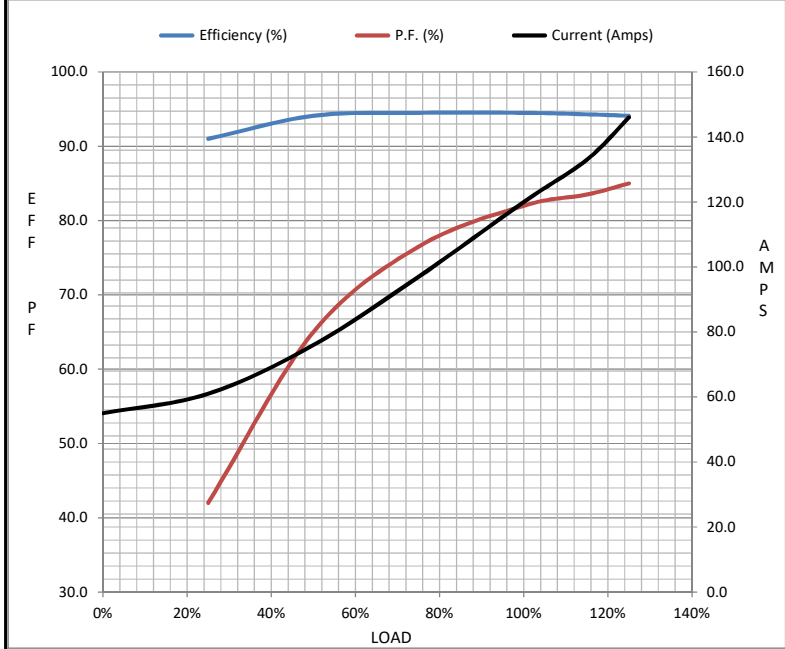
Motor Load Data

Load	0%	25%	50%	75%	100%	115%	125%	LR
Current (Amps)	55.0	61.0	76.0	97.0	120	133	146	950
Torque (ft-lb)	0.00	73.0	146	220	294	331	368	450
RPM	1800	1796	1792	1790	1785	1,784	1782	0
Efficiency (%)		91.0	94.1	94.5	94.5	94.3	94.1	
P.F. (%)	3.5	42.0	65.0	76.5	82.0	83.5	85.0	27.0

Motor Speed Data

	LR	Pull-Up	BD	Rated	Idle
Speed (RPM)	0	900	1700	1785	1800
Current (Amps)	950	850	500	120	55.0
Torque (ft-lb)	450	360	900	294	0.00

Information Block				
HP	100.0			
Sync. RPM	1800			
Frame	405			
Enclosure	TEBC			
Construction	TBR			
Voltage	230/460 V			
Frequency	60 Hz			
Design	A			
LR Code letter	J			
Service Factor	1.15			
Temp Rise @ FL	70 ° C			
Duty	CONT			
Ambient	40 ° C			
Elevation	1,000 feet			
Rotor/Shaft wk ²	23.0 Lb-Ft ²			
Ref Wdg	C4054032 R1			
Sound Pressure @ 1M	999 dBA			
VFD Rating	CONSTANT 100:1			
Outline Dwg	XJ2B1SS1P-1946			
Conn. Diag	A-EE7308BZ-LN			
Additional Specifications:				
0				
0				
EQUIV CKT (OHMS / PHASE)				
R1	R2	X1	X2	Xm
0.0480	0.0180	0.2420	0.1850	4.9840



Speed - Torque Curve

