

PRODUCT INFORMATION PACKET

marathon®
Motors

Model No: KS5P0016F60W34XSX

Catalog No: AL08D2430MFAFTOAOO

5.0 Kw, Crane Duty Slipring Motors , 3 phase, 6 Pole, 415 V, S4 Duty, KS160M2 Frame, 60 CDF,
300 Start/Hr., TEFC



Regal and Marathon are trademarks of Regal Rexnord Corporation or one of its affiliated companies.

©2023 Regal Rexnord Corporation, All Rights Reserved. MC017097E

RegalRexnord

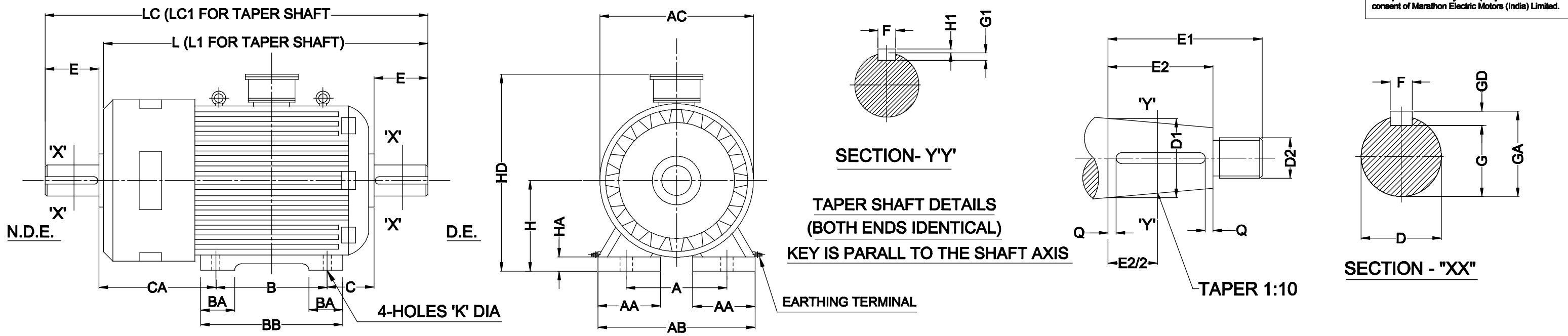
Nameplate Specifications

| | | | |
|-------------------------------|----------------------|----------------------------|------------------------------------|
| Output HP | 6.70 Hp | Output KW | 5.0 kW |
| Frequency | 50 Hz | Voltage | 415 V |
| Current | 12.5 A | Speed | 972 rpm |
| Phase | 3 | Duty | S4 |
| Frame | KS160M2 | Enclosure | Totally Enclosed Fan Cooled |
| Thermal Protection | No Protection | Ambient Temperature | 45 °C |
| Drive End Bearing Size | 6309 ZZ | Opp Drive End Bearing Size | 6309 ZZ |
| UL | No | CSA | No |
| CE | No | IP Code | 55 |
| CDF | 60 % | Start/Hr | 300 |
| RA | 16.3 A | RV | 185 V |
| Insulation class Stator/Rotor | F/F | Temp. Rise Stator/Rotor | 75/75 K |
| Stator Connection | Delta | Rotor Connection | Star |
| Efficiency Class | Standard | | |

Technical Specifications

| | | | |
|-----------------------|------------------------|-----------------------|---------------------------------|
| Electrical Type | Slipring | Starting Method | Rotor resistance starter |
| Rotation | Bi-Directional | Mounting | IMB3 |
| Motor Orientation | Horizontal | Drive End Bearing | Antifriction |
| Opp Drive End Bearing | Antifriction | Frame Material | Cast Iron/Fabricated |
| Shaft Type | Single Cylinder | Overall Length | 815.00 mm |
| Frame Length | 815.00 mm | Shaft Diameter | 42.000 mm |
| Shaft Extension | 110 mm | Assembly/Box Mounting | Top |
| Rotor GD2 | 0.64 kg·m² | Pull Out Torque | 4.4 |
| Connection Drawing | DP2153 | Outline Drawing | CM1383 |


These drawing and design are the property of Marathon Electric Motors (India) Limited. These must not be copied or lent to any other party without the written consent of Marathon Electric Motors (India) Limited.



| PT. NO. | FRAME | POLE | D(SHAFT DIA) | | E | GA | F | | GD | | G | | H | | FIXING DIMENSIONS | | | | K | HA | AC | HD | AB | AA | BB | BA | L | LC | L1 | LC1 | TAPER SHAFT DIMENSIONS DETAILS (BOTH) | | | | | | | |
|---------|--------|------|--------------|------------------|-----|------|------|--------------|------|--------------|------|------------|------|------------|-------------------|-----|-----|-----|----|----|------------------|-----|-----|----|------------------|------|------------------|-------|------------------|-------|---------------------------------------|---------|-----|-----------------|----|----|-----|---|
| | | | NOM. | TOL. | | | NOM. | TOL. | NOM. | TOL. | NOM. | TOL. | NOM. | TOL. | A | B | C | CA | | | | | | | | | | | | | D1 | D2 | E1 | E2 | F1 | H1 | G1 | Q |
| 1 | KS112M | 4-8 | 28 | +0.009 -0.004 | 60 | 31 | 8 | +0 -0.036 | 7 | +0 -0.090 | 24 | +0 -0.2 | 112 | +0 -0.5 | 190 | 140 | 70 | 345 | 12 | 15 | 252 | 330 | 226 | 45 | 170 | 50 | 610 | 672.5 | 610 | 672.5 | T28 | M16x1.5 | 60 | 42 | 5 | 5 | 3 | 3 |
| 2 | KS132M | 4-8 | 38 | +0.018 +0.002 | 80 | 41 | 10 | +0 -0.036 | 8 | +0 -0.090 | 33 | +0 -0.2 | 132 | +0 -0.5 | 216 | 178 | 89 | 358 | 12 | 15 | 300 | 380 | 260 | 55 | 220 | 55 | 700 | 785 | 700 | 785 | T38 | M20x1.5 | 80 | 54 | 8 | 7 | 4 | 5 |
| 3 | KS160M | 4-8 | 42 | +0.018 +0.002 | 110 | 45 | 12 | +0 -0.043 | 8 | +0 -0.090 | 37 | +0 -0.2 | 160 | +0 -0.5 | 254 | 210 | 108 | 347 | 15 | 20 | 350 | 440 | 305 | 55 | 305 | 92.5 | 815 | 932 | 815 | 932 | T42 | M24x2 | 110 | 82 [Ⓞ] | 10 | 8 | 5 | 5 |
| 4 | KS160L | 4-8 | 42 | +0.018 +0.002 | 110 | 45 | 12 | +0 -0.043 | 8 | +0 -0.090 | 37 | +0 -0.2 | 160 | +0 -0.5 | 254 | 254 | 108 | 347 | 15 | 20 | 350 | 440 | 305 | 55 | 305 | 92.5 | 815 | 932 | 815 | 932 | T42 | M24x2 | 110 | 82 [Ⓞ] | 10 | 8 | 5 | 5 |
| 5 | KS180L | 4-8 | 48 | +0.018 +0.002 | 110 | 51.5 | 14 | +0 -0.043 | 9 | +0 -0.090 | 42.5 | +0 -0.2 | 180 | +0 -0.5 | 279 | 279 | 121 | 370 | 15 | 21 | 445 | 490 | 340 | 75 | 340 [Ⓞ] | 85 | 875 | 990 | 875 | 990 | T48 | M30x2 | 110 | 82 | 12 | 8 | 5 | 5 |
| 6 | KS200L | 4-8 | 55 | +0.030 +0.011 | 110 | 59 | 16 | +0 -0.052 | 10 | +0 -0.090 | 49 | +0 -0.2 | 200 | +0 -0.5 | 318 | 305 | 133 | 399 | 19 | 25 | 450 [Ⓞ] | 545 | 400 | 89 | 365 | 95 | 947 [Ⓞ] | 1057 | 947 [Ⓞ] | 1057 | T55 | M36x3 | 110 | 82 | 14 | 9 | 5.5 | 5 |

| | | | | |
|----------|----------|---|---------|--------|
| 09 | 14.04.14 | 'E2' Dimension for Pt.No. 3 & 4 Changed to 82 was 87 | | |
| 08 | 07.07.11 | Unification of KS160 M&L Frame | | |
| 07 | 06.06.11 | EARTHING TERMINAL INCORPORATED | | |
| 06 | 19.07.10 | 'G' Dimn. for Pt.1 Changed to 24mm. was 27mm. | | |
| 05 | 14.12.07 | COMPANY NAME AND LOGO CHANGED | | |
| 04 | 05.05.06 | 'BB' Dimension for KS180 Frame was 394 mm. 'AC' Dimension for KS200 Frame was 494 mm. 'L' & 'L1' Dimension for KS20 Frame was 942 mm. | | |
| 03 | 11.09.04 | DRAWING GENERALLY REVISED | | |
| B | 10.11.97 | 'L' & 'L1' DIM. ALTERED (OLD 704) FOR PT.2 | B.B. | S.B. |
| A | 19.04.97 | 'G' FOR PART 3 & 4 CHANGED | B.B. | S.B. |
| REVISION | DATE | DETAIL OF REVISION | DONE BY | APPRVD |

ALL DIMENSIONS ARE IN MILLIMETRE



Marathon Electric
A Regal Beloit Company

Marathon Electric Motors (India) Limited
Paharpur Works, 58 Taratala Road.
Kolkata - 700024, INDIA

TITLE: OUTLINE DIMENSION DRAWING FOR 112M TO 200L
(KRANE MOTOR.)

| | | | | | |
|---------|------------|----------|--------------|---------------|-----------|
| DRAWN | B.BISWAS | 23.07.96 | | | |
| CHECKED | S.BHOWMICK | 23.07.96 | | DRAWING NO. | REV. |
| APPRVD. | R.RANJAN | 23.07.96 | SCALE IF ANY | CM1383 | 09 |
| | | SIGN | DATE | | |