

PRODUCT INFORMATION PACKET

marathon®
Motors

Model No: KS3P6013C25W44XSX

Catalog No: AL08D2340MFAFTOAOO

3.6 Kw, Crane Duty Slipring Motors , 3 phase, 8 Pole, 415 V, S4 Duty, KS132MC Frame, 25 CDF,
300 Start/Hr., TEFC



Regal and Marathon are trademarks of Regal Rexnord Corporation or one of its affiliated companies.

©2023 Regal Rexnord Corporation, All Rights Reserved. MC017097E

RegalRexnord

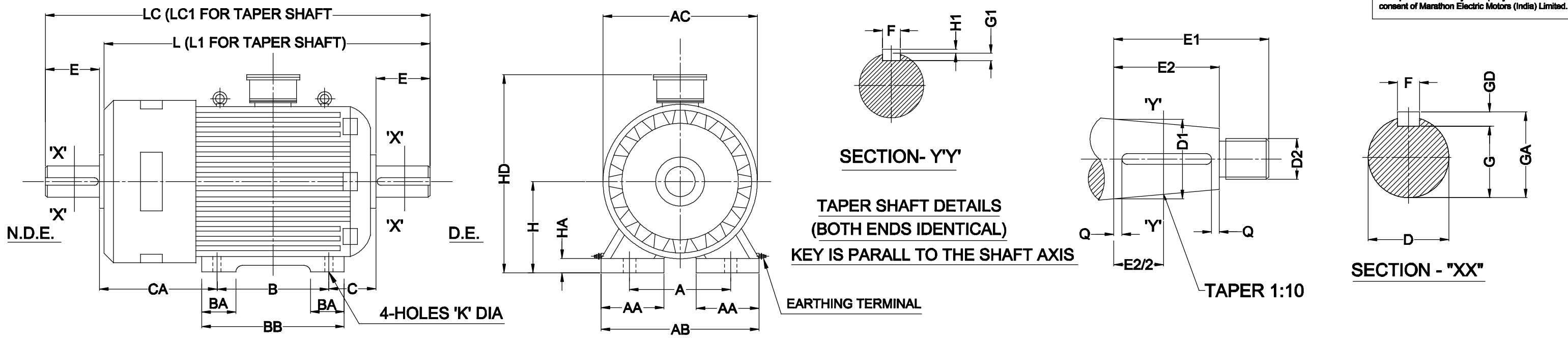
Nameplate Specifications

| | | | |
|-------------------------------|----------------------|----------------------------|------------------------------------|
| Output HP | 4.80 Hp | Output KW | 3.6 kW |
| Frequency | 50 Hz | Voltage | 415 V |
| Current | 9.5 A | Speed | 710 rpm |
| Phase | 3 | Duty | S4 |
| Frame | KS132MC | Enclosure | Totally Enclosed Fan Cooled |
| Thermal Protection | No Protection | Ambient Temperature | 45 °C |
| Drive End Bearing Size | 6308 ZZ | Opp Drive End Bearing Size | 6308 ZZ |
| UL | No | CSA | No |
| CE | No | IP Code | 55 |
| CDF | 25 % | Start/Hr | 300 |
| RA | 19.4 A | RV | 110 V |
| Insulation class Stator/Rotor | F/F | Temp. Rise Stator/Rotor | 75/75 K |
| Stator Connection | Delta | Rotor Connection | Star |
| Efficiency Class | Standard | | |

Technical Specifications

| | | | |
|-----------------------|------------------------|-----------------------|---------------------------------|
| Electrical Type | Slipring | Starting Method | Rotor resistance starter |
| Rotation | Bi-Directional | Mounting | IMB3 |
| Motor Orientation | Horizontal | Drive End Bearing | Antifriction |
| Opp Drive End Bearing | Antifriction | Frame Material | Cast Iron/Fabricated |
| Shaft Type | Single Cylinder | Overall Length | 700.00 mm |
| Frame Length | 700.00 mm | Shaft Diameter | 38.000 mm |
| Shaft Extension | 80 mm | Assembly/Box Mounting | Top |
| Rotor GD2 | 0.26 kg·m² | Pull Out Torque | 2.6 |
| Outline Drawing | CM1383 | Connection Drawing | DP2057 |


These drawing and design are the property of Marathon Electric Motors (India) Limited. These must not be copied or lent to any other party without the written consent of Marathon Electric Motors (India) Limited.



| PT. NO. | FRAME | POLE | D(SHAFT DIA) | | E | GA | F | | GD | | G | | H | | FIXING DIMENSIONS | | | | K | HA | AC | HD | AB | AA | BB | BA | L | LC | L1 | LC1 | TAPER SHAFT DIMENSIONS DETAILS (BOTH) | | | | | | | |
|---------|--------|------|--------------|------------------|-----|------|------|--------------|------|--------------|------|------------|------|------------|-------------------|-----|-----|-----|----|----|------------------|-----|-----|----|------------------|------|------------------|-------|------------------|-------|---------------------------------------|---------|-----|-----------------|----|----|-----|---|
| | | | NOM. | TOL. | | | NOM. | TOL. | NOM. | TOL. | NOM. | TOL. | NOM. | TOL. | A | B | C | CA | | | | | | | | | | | | | D1 | D2 | E1 | E2 | F1 | H1 | G1 | Q |
| 1 | KS112M | 4-8 | 28 | +0.009 -0.004 | 60 | 31 | 8 | +0 -0.036 | 7 | +0 -0.090 | 24 | +0 -0.2 | 112 | +0 -0.5 | 190 | 140 | 70 | 345 | 12 | 15 | 252 | 330 | 226 | 45 | 170 | 50 | 610 | 672.5 | 610 | 672.5 | T28 | M16x1.5 | 60 | 42 | 5 | 5 | 3 | 3 |
| 2 | KS132M | 4-8 | 38 | +0.018 +0.002 | 80 | 41 | 10 | +0 -0.036 | 8 | +0 -0.090 | 33 | +0 -0.2 | 132 | +0 -0.5 | 216 | 178 | 89 | 358 | 12 | 15 | 300 | 380 | 260 | 55 | 220 | 55 | 700 | 785 | 700 | 785 | T38 | M20x1.5 | 80 | 54 | 8 | 7 | 4 | 5 |
| 3 | KS160M | 4-8 | 42 | +0.018 +0.002 | 110 | 45 | 12 | +0 -0.043 | 8 | +0 -0.090 | 37 | +0 -0.2 | 160 | +0 -0.5 | 254 | 210 | 108 | 347 | 15 | 20 | 350 | 440 | 305 | 55 | 305 | 92.5 | 815 | 932 | 815 | 932 | T42 | M24x2 | 110 | 82 [Ⓞ] | 10 | 8 | 5 | 5 |
| 4 | KS160L | 4-8 | 42 | +0.018 +0.002 | 110 | 45 | 12 | +0 -0.043 | 8 | +0 -0.090 | 37 | +0 -0.2 | 160 | +0 -0.5 | 254 | 254 | 108 | 347 | 15 | 20 | 350 | 440 | 305 | 55 | 305 | 92.5 | 815 | 932 | 815 | 932 | T42 | M24x2 | 110 | 82 [Ⓞ] | 10 | 8 | 5 | 5 |
| 5 | KS180L | 4-8 | 48 | +0.018 +0.002 | 110 | 51.5 | 14 | +0 -0.043 | 9 | +0 -0.090 | 42.5 | +0 -0.2 | 180 | +0 -0.5 | 279 | 279 | 121 | 370 | 15 | 21 | 445 | 490 | 340 | 75 | 340 [Ⓞ] | 85 | 875 | 990 | 875 | 990 | T48 | M30x2 | 110 | 82 | 12 | 8 | 5 | 5 |
| 6 | KS200L | 4-8 | 55 | +0.030 +0.011 | 110 | 59 | 16 | +0 -0.052 | 10 | +0 -0.090 | 49 | +0 -0.2 | 200 | +0 -0.5 | 318 | 305 | 133 | 399 | 19 | 25 | 450 [Ⓞ] | 545 | 400 | 89 | 365 | 95 | 947 [Ⓞ] | 1057 | 947 [Ⓞ] | 1057 | T55 | M36x3 | 110 | 82 | 14 | 9 | 5.5 | 5 |

| REVISION | DATE | DETAIL OF REVISION | DONE BY | APPRVD |
|----------|----------|---|---------|--------|
| 09 | 14.04.14 | 'E2' Dimension for Pt.No. 3 & 4 Changed to 82 was 87 | | |
| 08 | 07.07.11 | Unification of KS160 M&L Frame | | |
| 07 | 06.06.11 | EARTHING TERMINAL INCORPORATED | | |
| 06 | 19.07.10 | 'G' Dimn. for Pt.1 Changed to 24mm. was 27mm. | | |
| 05 | 14.12.07 | COMPANY NAME AND LOGO CHANGED | | |
| 04 | 05.05.06 | 'BB' Dimension for KS180 Frame was 394 mm. 'AC' Dimension for KS200 Frame was 494 mm. 'L' & 'L1' Dimension for KS20 Frame was 942 mm. | | |
| 03 | 11.09.04 | DRAWING GENERALLY REVISED | | |
| B | 10.11.97 | 'L' & 'L1' DIM. ALTERED (OLD 704) FOR PT.2 | B.B. | S.B. |
| A | 19.04.97 | 'G' FOR PART 3 & 4 CHANGED | B.B. | S.B. |

ALL DIMENSIONS ARE IN MILLIMETRE



Marathon Electric
A Regal Beloit Company

Marathon Electric Motors (India) Limited
Paharpur Works, 58 Taratala Road.
Kolkata - 700024, INDIA

TITLE: OUTLINE DIMENSION DRAWING FOR 112M TO 200L
(KRANE MOTOR.)

| | | | | | |
|---------|------------|----------|--------------|-------------|------|
| DRAWN | B.BISWAS | 23.07.96 | | | |
| CHECKED | S.BHOWMICK | 23.07.96 | | DRAWING NO. | REV. |
| APPRVD. | R.RANJAN | 23.07.96 | SCALE IF ANY | CM1383 | 09 |
| | | SIGN | DATE | | |

Model No. KS3P6013C25W44XSX**Part No.** AL08D2340MFAFTOAOO

| P | P | n | POT | T | U | f | I | RA | RV | CDF | Duty | No. of Starts/Hr. | Frame |
|------|------|-------|------|------|-----|------|-----|------|-----|-----|------|-------------------|---------|
| [kW] | [hp] | [RPM] | XFLT | [Nm] | (V) | [Hz] | [A] | | | % | | | |
| 3.6 | 4.8 | 710 | 2.6 | 140 | 415 | 50 | 9.5 | 19.4 | 110 | 25 | S4 | 300 | KS132MC |

| | | | |
|----------------------------------|-----------|---|--------------------------|
| Motor type | Slipring | Degree of protection | IP-55 |
| Enclosure | TEFC | Motor weight - approx. | 120 kg |
| Frame Material | - | Gross weight- approx. | kg |
| Mounting type | IMB3 | Motor GD2 | 0.26 kgm ² |
| Cooling method | IC411 | Vibration level | As per IS:12075 mm/s |
| Voltage variation | +/-10% | Noise level (1meter distance from motor) | As per IS:12065 dB(A) |
| Frequency variation | +/-5% | Starting method | Rotor resistance starter |
| Combined variation | 10% | Coupling | Direct / Gearbox |
| Insulation class | F/F | Direction of rotation | Bi-directional |
| Ambient temperature | 45 | Paint shade | RAL5011 |
| Temperature rise (by resistance) | 75/75 | Type of Terminal Box | Standard |
| Altitude above sea level | Upto 1000 | Terminal box position | Top |
| Efficiency | | Max. Cable size | Refer to TBA drg. |
| Power Factor | | Bearing type | Antifriction |
| Stator Connection | Delta | DE Bearing | 6308 ZZ |
| Rotor Connection | Star | NDE Bearing | 6308 ZZ |
| | | Type of Lubrication | Grease |

NOTE

All performance values at rated voltage and frequency.

All performance parameters are subjected to standard tolerance as per IEC 60034-1

Technical data are subject to change. There may be discrepancies between calculated and name plate values.