

PRODUCT INFORMATION PACKET



Model No: K311M2

Catalog No: K311M2

General Purpose Farm Duty Motor, 7.5 HP, 1 Ph, 60 Hz, 230 V, 1800 RPM, F215T Frame, TEFC



Regal and Century are trademarks of Regal Rexnord Corporation or one of its affiliated companies.

©2022 Regal Rexnord Corporation, All Rights Reserved. MC017097E





Nameplate Specifications

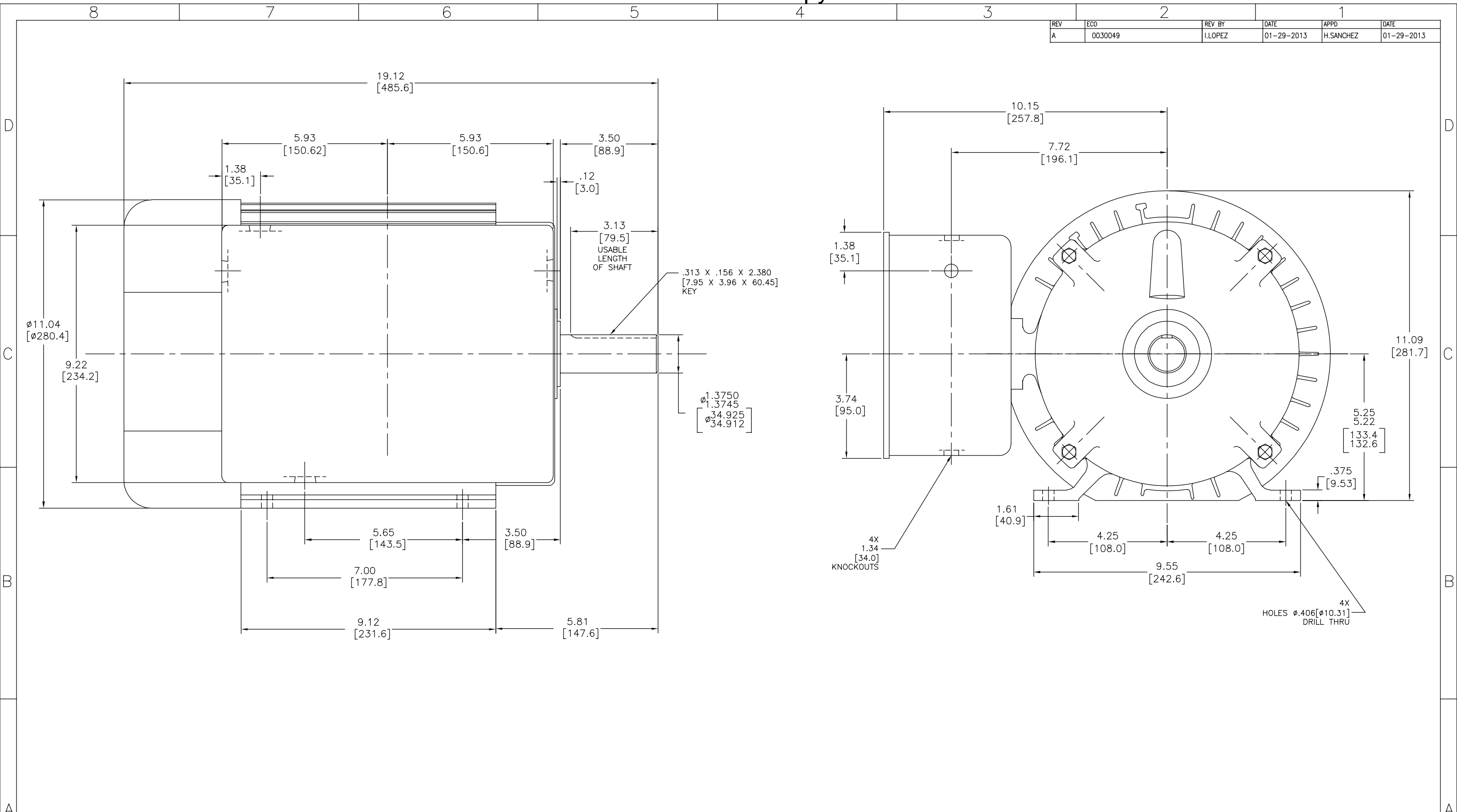
Output HP	7.5 Hp	Output KW	5.6 kW
Frequency	60 Hz	Voltage	230 V
Current	34.0 A	Speed	1745 rpm
Service Factor	1	Phase	1
Duty	Continuous	Insulation Class	B
Frame	F215T	Enclosure	Totally Enclosed Fan Cooled
Thermal Protection	No Protection	Ambient Temperature	40 °C
UL	Recognized	CSA	Y
CE	N	Number of Speeds	1

Technical Specifications

Electrical Type	Capacitor Start, Capacitor Run, Single Or Dual Voltage	Starting Method	Across The Line
Poles	4	Rotation	Reversible
Mounting	Rigid Base	Drive End Bearing	Ball
Opp Drive End Bearing	Ball	Frame Material	Rolled Steel
Shaft Type	Keyed	Overall Length	19.12 in
Frame Length	9.00 in	Shaft Diameter	1.375 in
Shaft Extension	3.50 in		
Outline Drawing	K311M2-S01	Connection Drawing	80022849.PCX

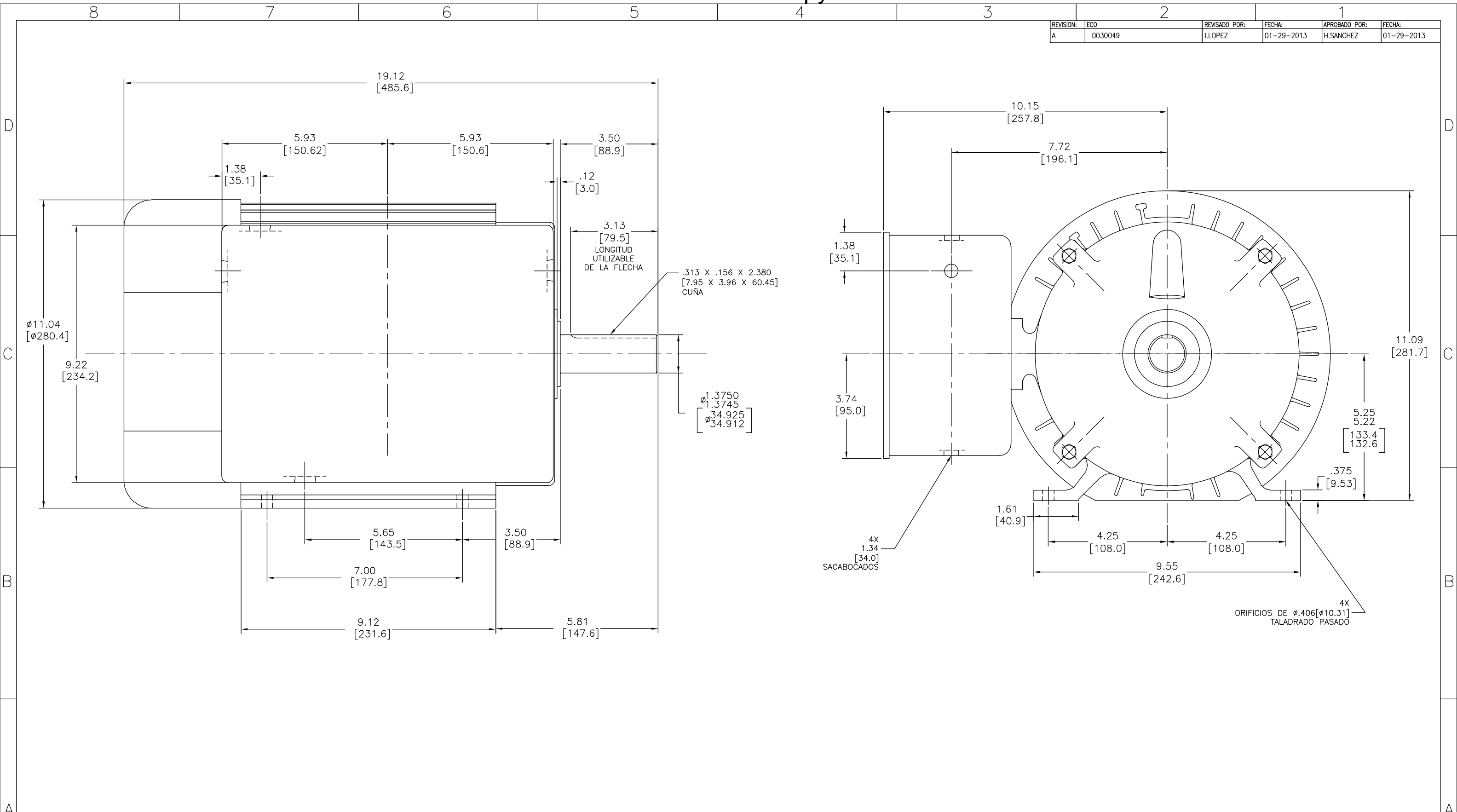
This is an uncontrolled document once printed or downloaded and is subject to change without notice. Date Created:11/29/2022

REV	ECO	REV BY	DATE	APPD	DATE
A	0030049	I.LOPEZ	01-29-2013	H.SANCHEZ	01-29-2013



GEOMETRIC CHARACTERISTICS & SYMBOLS □ FLATNESS — STRAIGHTNESS ∠ ANGULARITY ⊥ PERPENDICULARITY (SQUARENESS) // PARALLELISM ○ ROUNDNESS (CIRCULARITY) ⌀ CYLINDRICITY ≡ PROFILE OF ANY SURFACE ≡ PROFILE OF ANY LINE ⌒ RUNOUT ⊕ TRUE POSITION ◎ CONCENTRICITY = SYMMETRY	UNLESS OTHERWISE SPECIFIED DIM. TOLERANCES ARE AS FOLLOWS: INCH ±.1 ±.02 ±.005 ±.0005 mm ±0.5 ±0.13 ±0.013 ANG. ±.50 DEG REMOVE BURRS & BREAK SHARP EDGES: INCH .003-.015 mm 0.1-0.4 CORNER FILLETS TO: INCH .020 mm 0.5 MACHINE SURFACES: INCH 125 mm 3.2 METRIC DIMS. SHOWN IN [BRACKETS]	DR BY: I.LOPEZ	01-29-2013	DR BY: I.LOPEZ APPD: D.JAMORA THRD ANGLE PROJECTION	01-29-2013	EDS DATE 11-11-2011 FORMAT REV H	DESCRIPTION MODEL-IHP OUTLINE
		ASME Y14.5M 1994	CONFIDENTIAL: THIS DRAWING AND ITS INFORMATION ARE THE EXCLUSIVE AND CONFIDENTIAL PROPERTY OF REGAL-BELOIT CORPORATION AND ARE NOT TO BE DISCLOSED, DUPLICATED, DISTRIBUTED OR OTHERWISE USED WITHOUT THE WRITTEN CONSENT OF REGAL-BELOIT CORPORATION. -ALL RIGHTS RESERVED.		SCALE NONE		

REVISION: ECO	REVISADO POR: I.LOPEZ	FECHA: 01-29-2013	APROBADO POR: H.SANCHEZ	FECHA: 01-29-2013
A	0030049			



CARACTERÍSTICAS DE GEOMETRIA Y SIMBOLOS ▽ PLANICIDAD — RECTITUD ∠ ANGULARIDAD ⊥ PERPENDICULARIDAD (A ESCUADRA) // PARALELISMO ○ REDONDEZ (CIRCULARIDAD) Ⓢ CILINDRICIDAD ≡ PERFIL DE CUALQUIER SUPERFICIE ⤴ PERFIL DE CUALQUIER LINEA Ⓢ VARIACION ⊕ POSICION REAL ⊙ CONCENTRICIDAD = SIMETRIA	A MENOS QUE SE ESPECIFIQUE DE OTRA MANERA, LAS TOLERANCIAS DE LAS DIMS, SON LAS SIGUIENTES: X XX XXX XXXX PULG ±.1 ±.02 ±.005 ±.0005 mm ±0.5 ±0.13 ±0.013 ANG ±.50 GRADOS ELIMINAR REBABAS Y ORILLAS FILOSAS DEL BORDE. PULG .003-.015 mm 0.1-0.4 FILETEAR ESQUINA: PULG .020 mm 0.5 MAQUINAR SUPERFICIES PULG 125 mm 3.2 DIMS METRICAS MOSTRADAS [PARENTESIS]	DIBUJADO POR: I.LOPEZ	01-29-2013	REGAL-BELOIT CORPORATION
		APROBADO POR: D.JAMORA	01-29-2013	
		TERCER ANGULO DE PROYECCION:	FECHA EDS: 11-11-2011 REV. FORMATO: H	TAMAÑO: D
		CONFIDENCIAL: ESTE DIBUJO Y SU INFORMACION SON PROPIEDAD DE USO EXCLUSIVO Y CONFIDENCIAL DE REGAL-BELOIT CORPORATION, Y NO DEBERAN SER REVELADOS, DUPLICADOS, DISTRIBUIDOS O USARSE DE OTRA MANERA SIN EL CONSENTIMIENTO ESCRITO DE REGAL-BELOIT CORPORATION. -TODOS LOS DERECHOS RESERVADOS.		NUMERO DE DIBUJO: K311M2
			ESCALA: NONE	HOJA: 1