

PRODUCT INFORMATION PACKET

Model No: K310

Catalog No: K310

General Purpose Farm Duty Motor, 5.0 HP, 1 Ph, 60 Hz, 230 V, 1800 RPM, F213T Frame, TEFC



Regal and are trademarks of Regal Rexnord Corporation or one of its affiliated companies.
©2022 Regal Rexnord Corporation, All Rights Reserved. MC017097E

Nameplate Specifications

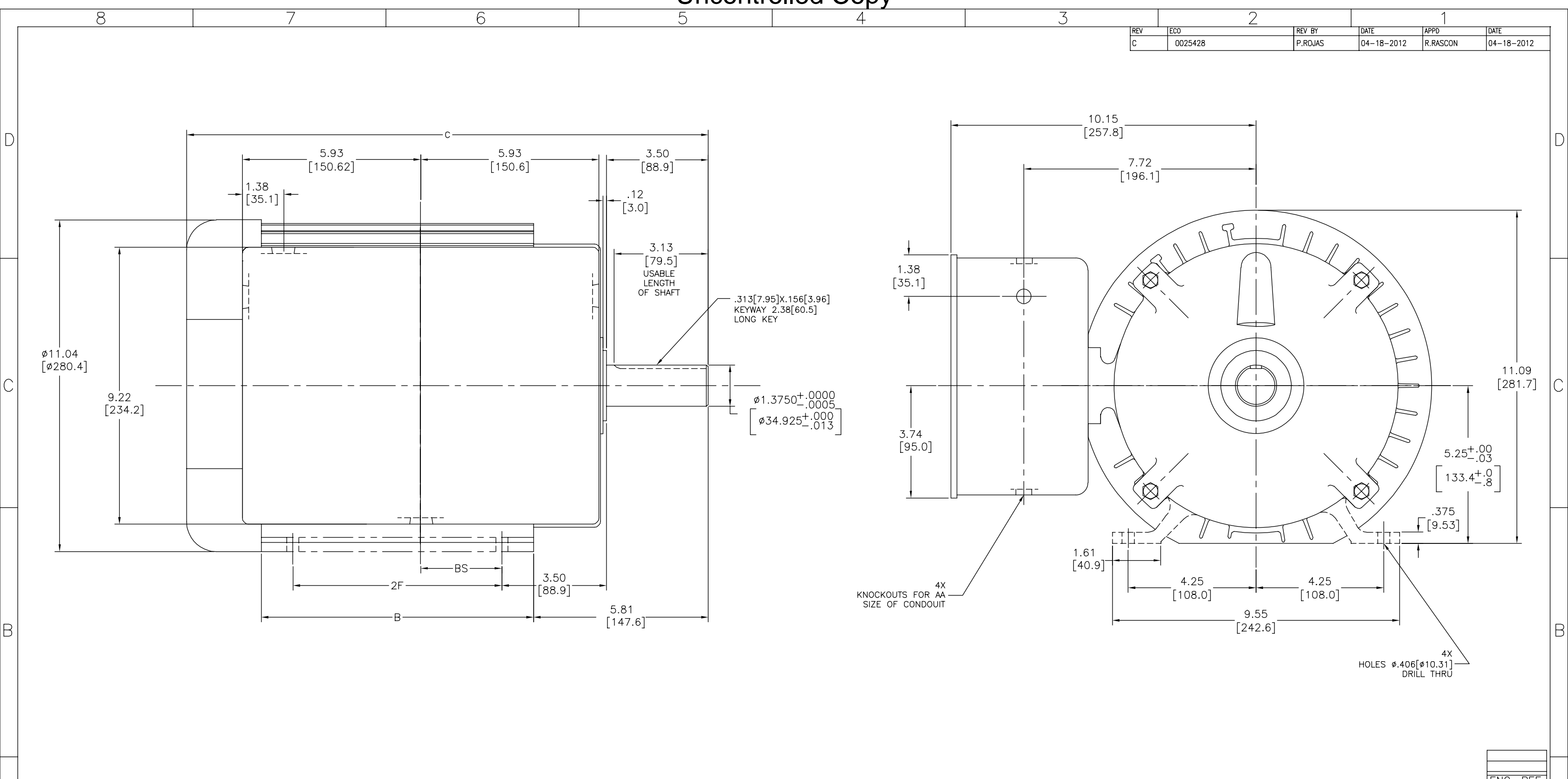
Output HP	5.0 Hp	Output KW	3.7 kW
Frequency	60 Hz	Voltage	230 V
Current	23.0 A	Speed	1750 rpm
Service Factor	1	Phase	1
Duty	Continuous	Insulation Class	B
Frame	F213T	Enclosure	Totally Enclosed Fan Cooled
Thermal Protection	Manual	Ambient Temperature	40 °C
UL	Recognized	CSA	Y
CE	N	Number of Speeds	1

Technical Specifications

Electrical Type	Capacitor Start, Capacitor Run, Single Or Dual Voltage	Starting Method	Across The Line
Poles	4	Rotation	Reversible
Mounting	Rigid Base	Drive End Bearing	Ball
Opp Drive End Bearing	Ball	Frame Material	Rolled Steel
Shaft Type	Keyed	Overall Length	17.62 in
Frame Length	7.50 in	Shaft Diameter	1.375 in
Shaft Extension	3.5 in		
Connection Drawing	80022849.PCX	Outline Drawing	11448101

This is an uncontrolled document once printed or downloaded and is subject to change without notice. Date Created:09/08/2022

REV	ECO	REV BY	DATE	APPD	DATE
C	0025428	P.ROJAS	04-18-2012	R.RASCON	04-18-2012



FRAME	FORM	B	C	2F	AA	BS
CS-F213T	M	7.62[193.5]	17.62[447.5]	5.50[139.7]	1.00[25.4]	4.15[105.4]
CP-F215T	M	9.12[231.6]	19.12[485.6]	7.00[177.8]	1.34[34.0]	5.65[143.5]
CP-FE215T	M	10.62[269.7]	20.62[523.7]	7.00[177.8]	1.00[25.4]	7.15[181.6]
CP-F215T	M	9.12[231.6]	19.12[485.6]	7.00[177.8]	1.00[25.4]	5.65[143.5]

GEOMETRIC CHARACTERISTICS & SYMBOLS
 / FLATNESS
 - STRAIGHTNESS
 < ANGLARITY
 ⊥ PERPENDICULARITY (SQUARENESS)
 // PARALLELISM
 ○ ROUNDNESS (CIRCULARITY)
 ⌀ CYLINDRICITY
 ≧ PROFILE OF ANY SURFACE
 ^ PROFILE OF ANY LINE
 ↗ RUNOUT
 ⊕ TRUE POSITION
 ⊙ CONCENTRICITY
 = SYMMETRY

ASME Y14.5M 1994

UNLESS OTHERWISE SPECIFIED DIM. TOLERANCES ARE AS FOLLOWS:
 INCH ± .1 ±.02 ±.005 ±.0005
 mm ±0.5 ±0.13 ±0.013
 ANG. ±.50 DEG
 REMOVE BURRS & BREAK SHARP EDGES:
 INCH .003-.015 mm 0.1-0.4
 CORNER FILLETS TO:
 INCH .020 mm 0.5
 MACHINE SURFACES:
 INCH 125 mm 3.2

METRIC DIMS. SHOWN IN [BRACKETS]

DR BY: BJL 04-25-1975
 APPD: PAW 12-28-1993
 THRD ANGLE PROJECTION: EDS DATE: 11-11-2011
 FORMAT REV: G

CONFIDENTIAL: THIS DRAWING AND ITS INFORMATION ARE THE EXCLUSIVE AND CONFIDENTIAL PROPERTY OF REGAL-BELOIT CORPORATION AND ARE NOT TO BE DISCLOSED, DUPLICATED, DISTRIBUTED OR OTHERWISE USED WITHOUT THE WRITTEN CONSENT OF REGAL-BELOIT CORPORATION. -ALL RIGHTS RESERVED.

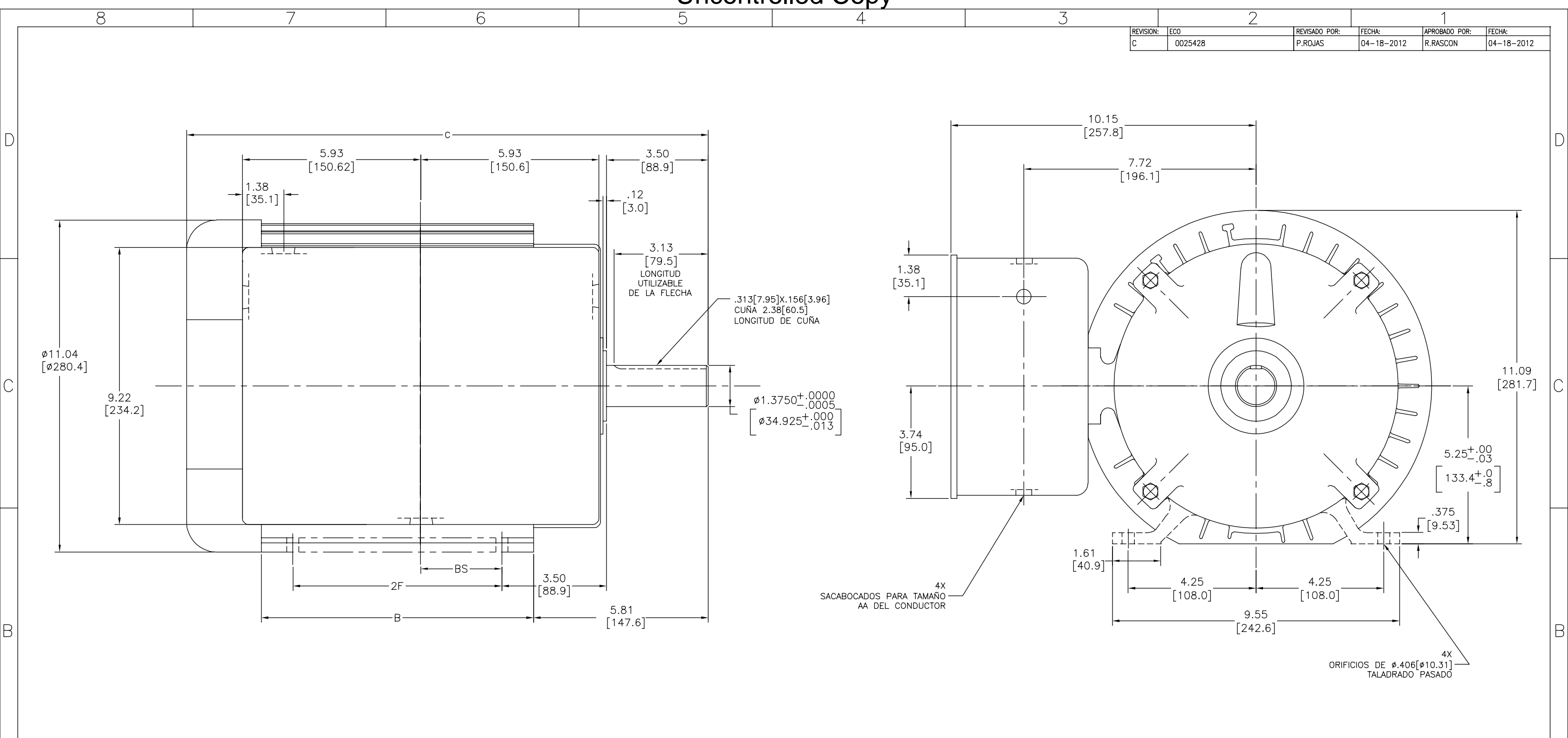
CERTIFICATION OF A.C. MOTORS
 CERTIFIED FOR _____
 SPEC. NO. _____ ORDER NO. _____
 ORDER I.D. _____ EMI _____
 TYPE _____ FRAME _____ H.P. _____
 R.P.M. _____ VOLTS _____ PHASE _____
 HERTZ _____ AMPS _____ CODE _____
 REMARKS _____
 APPROVED BY _____ DATE: _____

REGAL-BELOIT CORPORATION

DESCRIPTION: MODEL-IHP OUTLINE

SIZE: D DWG NO: 114481
 SCALE: NONE SHEET: 1

REVISION: ECO	REVISADO POR: P.ROJAS	FECHA: 04-18-2012	APROBADO POR: R.RASCON	FECHA: 04-18-2012
C	0025428			



<p>ENG. REF.</p>						
<p>CERTIFICATION OF A.C. MOTORS CERTIFIED FOR _____ SPEC. NO. _____ ORDER NO. _____ ORDER I.D. _____ EMI _____ TYPE _____ FRAME _____ H.P. _____ R.P.M. _____ VOLTS _____ PHASE _____ HERTZ _____ AMPS _____ CODE _____ REMARKS _____ APPROVED BY _____ DATE: _____</p>						

CARCARA	FORMA	B	C	2F	AA	BS
CS-F213T	M	7.62[193.5]	17.62[447.5]	5.50[139.7]	1.00[25.4]	4.15[105.4]
CP-F215T	M	9.12[231.6]	19.12[485.6]	7.00[177.8]	1.34[34.0]	5.65[143.5]
CP-FE215T	M	10.62[269.7]	20.62[523.7]	7.00[177.8]	1.00[25.4]	7.15[181.6]
CP-F215T	M	9.12[231.6]	19.12[485.6]	7.00[177.8]	1.00[25.4]	5.65[143.5]

CARACTERISTICAS DE GEOMETRIA Y SIMBOLOS:
 ▽ PLANICIDAD
 - RECTITUD
 < ANGULARIDAD
 ⊥ PERPENDICULARIDAD (A ESCUADRA)
 // PARALELISMO
 ○ REDONDEZ (CIRCULARIDAD)
 Ⓞ CILINDRICIDAD
 ≡ PERFIL DE CUALQUIER SUPERFICIE
 ⤴ PERFIL DE CUALQUIER LINEA
 ↗ VARIACION
 ⊕ POSICION REAL
 ⊙ CONCENTRICIDAD
 = SIMETRIA

A MENOS QUE SE ESPECIFIQUE DE OTRA MANERA, LAS TOLERANCIAS DE LAS DIMS. SON LAS SIGUIENTES:
 PULG. X XX XXX XXXX
 mm ±0.5 ±0.13 ±0.013
 ANG. ±50 GRADOS
 ELIMINAR REBABAS Y ORILLAS FILOSAS DEL BORDE.
 FILETEAR ESQUINA: PULG. .020 mm 0.5
 MAQUINAR SUPERFICIES
 PULG. 125 mm 3.2
 DIMS METRICAS MOSTRADAS [PARENTESIS]

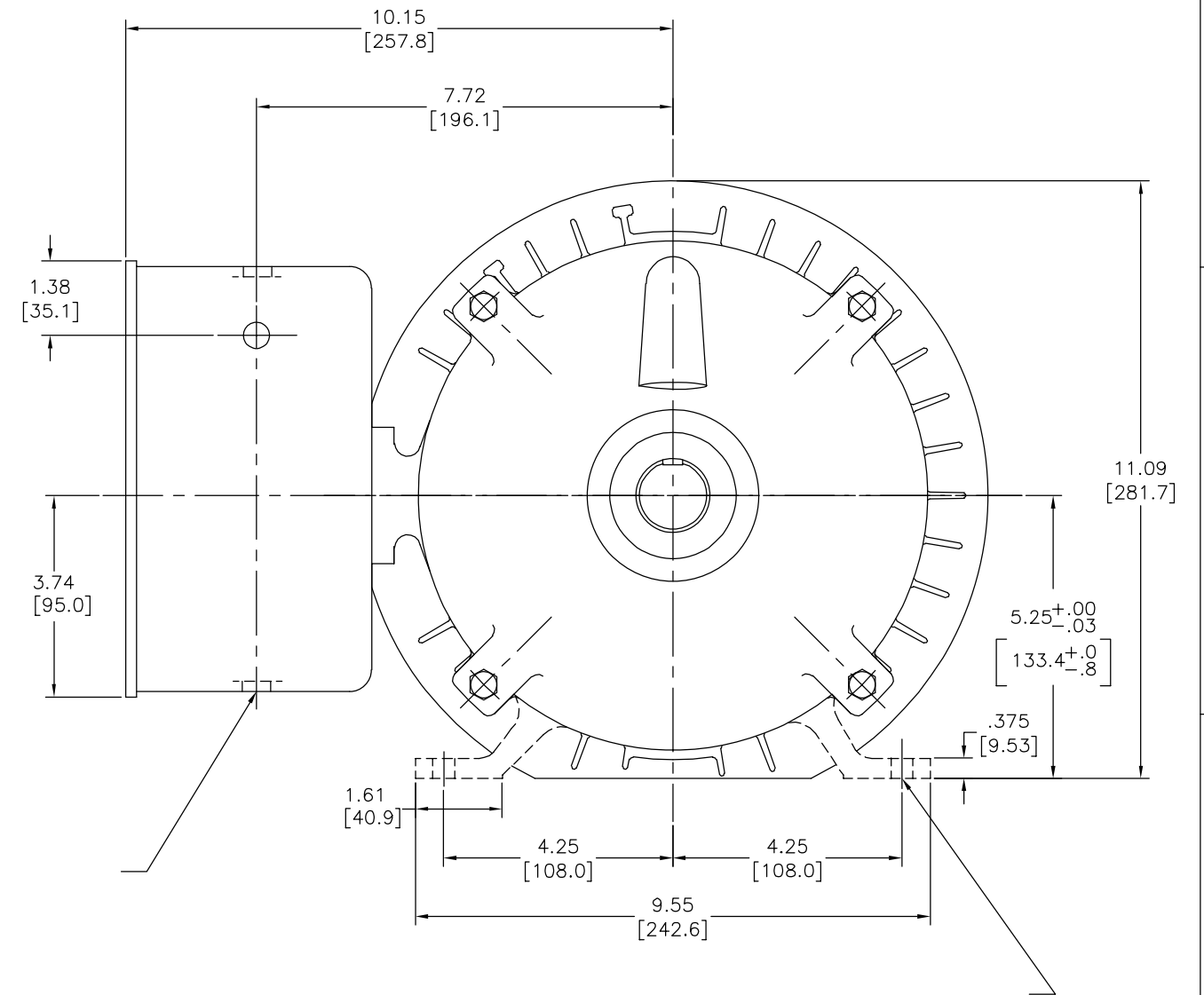
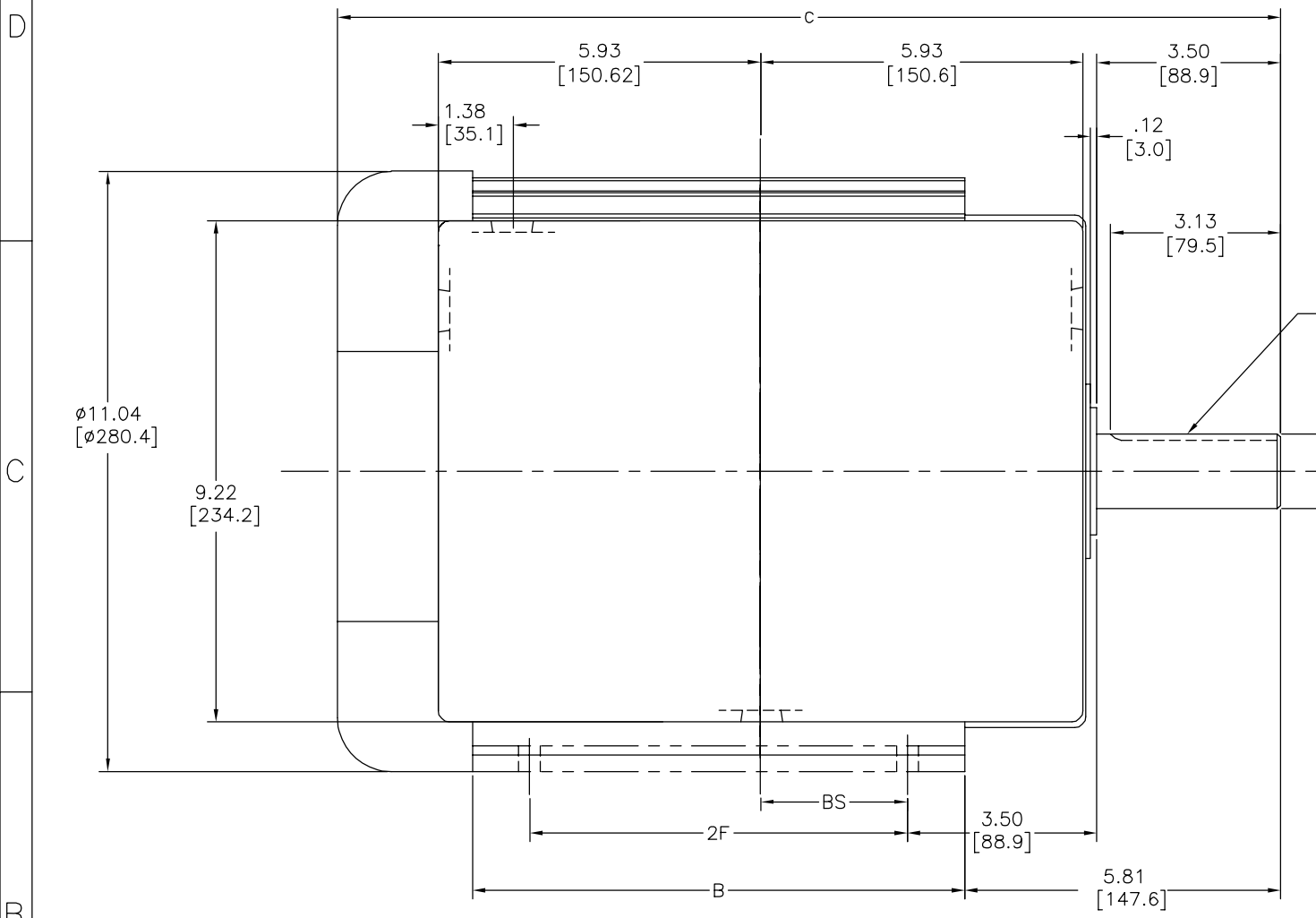
ASME Y14.5M 1994

DIBUJADO POR: B.J.L. 04-25-1975
 APROBADO POR: P.A.W. 12-28-1993
 TERCER ANGULO DE PROYECCION: FECHA EDS: 11-11-2011
 REV. FORMATO: G

CONFIDENCIAL: ESTE DIBUJO Y SU INFORMACION SON PROPIEDAD DE USO EXCLUSIVO Y CONFIDENCIAL DE REGAL-BELOIT CORPORATION, Y NO DEBERAN SER REVELADOS, DUPLICADOS, DISTRIBUIDOS O USARSE DE OTRA MANERA SIN EL CONSENTIMIENTO ESCRITO DE REGAL-BELOIT CORPORATION. -TODOS LOS DERECHOS RESERVADOS.

DESCRIPCION: **MODEL-IHP OUTLINE**
 TAMAÑO: D NUMERO DE DIBUJO: 114481
 ESCALA: NONE HOJA: 1

版本	ECO	编制	日期	批准	日期
C	0025428	P.ROJAS	04-18-2012	R.RASCON	04-18-2012



		B	C	2F	AA	BS
CS-F213T	M	7.62[193.5]	17.62[447.5]	5.50[139.7]	1.00[25.4]	4.15[105.4]
CP-F215T	M	9.12[231.6]	19.12[485.6]	7.00[177.8]	1.34[34.0]	5.65[143.5]
CP-FE215T	M	10.62[269.7]	20.62[523.7]	7.00[177.8]	1.00[25.4]	7.15[181.6]
CP-F215T	M	9.12[231.6]	19.12[485.6]	7.00[177.8]	1.00[25.4]	5.65[143.5]

形位公差 — 平面度 — 直线度 — 倾斜度 — 垂直度 — 平行度 — 圆度 — 圆柱度 — 面轮廓度 — 线轮廓度 — 圆跳动 — 位置度 — 同轴度 — 对称度	除另有注明 尺寸公差如下: 英寸 X XX XXX XXXX 毫米 ±.1 ±.02 ±.005 ±.0005 ±0.5 ±0.13 ±0.013 角度 ±.50 度 清理毛刺和尖棱 英寸 .003-.015 毫米 0.1-0.4 内圆角 英寸 .020 毫米 0.5 表面粗糙度 英制 125/ 米制 3.2 米制尺寸显示在 []	绘图: BJJ 批准: PAW 第三角投影
--	---	-----------------------------

日期: 04-25-1975	图号: 11-11-2011
日期: 12-28-1993	图号: G
机密: 本图纸及相关信息所有权归REGAL-BELOIT CORPORATION 未经REGAL-BELOIT CORPORATION书面授权, 不得泄露、 复制、传播或作其他用途。—版权所有	

CERTIFICATION OF A.C. MOTORS
 CERTIFIED FOR _____
 SPEC. NO. _____ ORDER NO. _____
 ORDER I.D. _____ EMI _____
 TYPE _____ FRAME _____ H.P. _____
 R.P.M. _____ VOLTS _____ PHASE _____
 HERTZ _____ AMPS _____ CODE _____
 REMARKS _____
 APPROVED BY _____ DATE: _____

名称: MODEL-IHP OUTLINE
 图号: 114481
 比例: NONE
 页号: 1