

PRODUCT INFORMATION PACKET

Model No: K304

Catalog No: K304

General Purpose Farm Duty Motor, 5.0 HP, 1 Ph, 60 Hz, 230/460 V, 1800 RPM, F213T Frame, TEFC



Regal and are trademarks of Regal Rexnord Corporation or one of its affiliated companies.
©2022 Regal Rexnord Corporation, All Rights Reserved. MC017097E

Nameplate Specifications

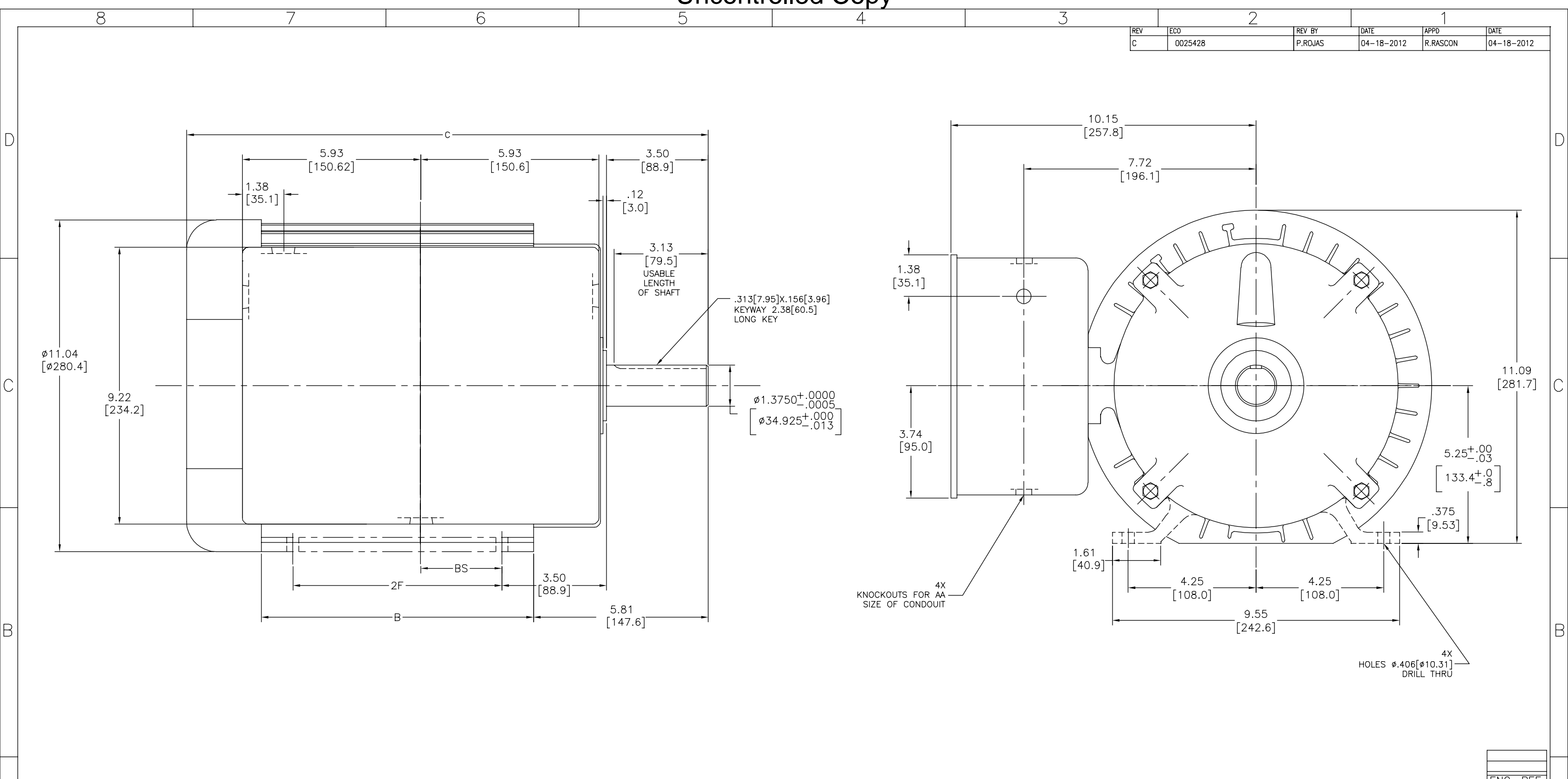
Output HP	5.0 Hp	Output KW	3.7 kW
Frequency	60 Hz	Voltage	230/460 V
Current	23.0/11.5 A	Speed	1750 rpm
Service Factor	1	Phase	1
Duty	Continuous	Insulation Class	B
Frame	F213T	Enclosure	Totally Enclosed Fan Cooled
Thermal Protection	No Protection	Ambient Temperature	40 °C
UL	Recognized	CSA	Y
CE	N	Number of Speeds	1

Technical Specifications

Electrical Type	Capacitor Start, Capacitor Run, Single Or Dual Voltage	Starting Method	Across The Line
Poles	4	Rotation	Reversible
Mounting	Rigid Base	Drive End Bearing	Ball
Opp Drive End Bearing	Ball	Frame Material	Aluminium
Shaft Type	Keyed	Overall Length	17.62 in
Frame Length	7.50 in	Shaft Diameter	1.375 in
Shaft Extension	3.5 in		
Outline Drawing	11448101		

This is an uncontrolled document once printed or downloaded and is subject to change without notice. Date Created:09/08/2022

REV	ECO	REV BY	DATE	APPD	DATE
C	0025428	P.ROJAS	04-18-2012	R.RASCON	04-18-2012



FRAME	FORM	B	C	2F	AA	BS
CS-F213T	M	7.62[193.5]	17.62[447.5]	5.50[139.7]	1.00[25.4]	4.15[105.4]
CP-F215T	M	9.12[231.6]	19.12[485.6]	7.00[177.8]	1.34[34.0]	5.65[143.5]
CP-FE215T	M	10.62[269.7]	20.62[523.7]	7.00[177.8]	1.00[25.4]	7.15[181.6]
CP-F215T	M	9.12[231.6]	19.12[485.6]	7.00[177.8]	1.00[25.4]	5.65[143.5]

GEOMETRIC CHARACTERISTICS & SYMBOLS
 / FLATNESS
 - STRAIGHTNESS
 < ANGLARITY
 ⊥ PERPENDICULARITY (SQUARENESS)
 // PARALLELISM
 ○ ROUNDNESS (CIRCULARITY)
 Ⓞ CYLINDRICITY
 ≧ PROFILE OF ANY SURFACE
 ⤴ PROFILE OF ANY LINE
 ⤵ RUNOUT
 ⊕ TRUE POSITION
 ⊙ CONCENTRICITY
 = SYMMETRY

UNLESS OTHERWISE SPECIFIED DIM. TOLERANCES ARE AS FOLLOWS:
 INCH ± .1 ±.02 ±.005 ±.0005
 mm ±0.5 ±0.13 ±0.013
 ANG. ±.50 DEG
 REMOVE BURRS & BREAK SHARP EDGES:
 INCH .003-.015 mm 0.1-0.4
 CORNER FILLETS TO:
 INCH .020 mm 0.5
 MACHINE SURFACES:
 INCH 125 mm 3.2

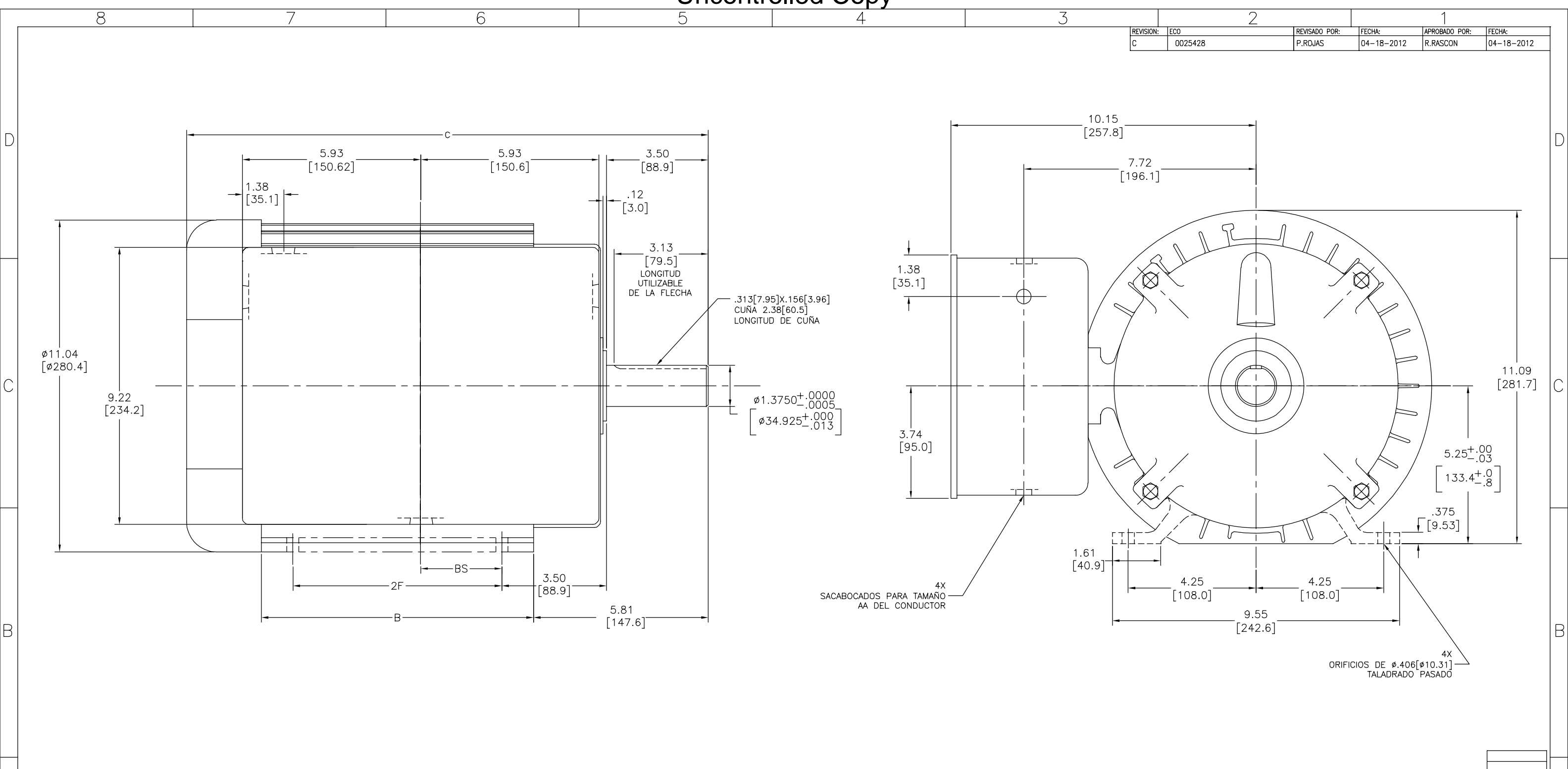
ASME Y14.5M 1994 METRIC DIMS. SHOWN IN [BRACKETS]

DR BY: BJL 04-25-1975
 APPD: PAW 12-28-1993
 THRD ANGLE PROJECTION

CERTIFICATION OF A.C. MOTORS
 CERTIFIED FOR _____
 SPEC. NO. _____ ORDER NO. _____
 ORDER I.D. _____ EMI _____
 TYPE _____ FRAME _____ H.P. _____
 R.P.M. _____ VOLTS _____ PHASE _____
 HERTZ _____ AMPS _____ CODE _____
 REMARKS _____
 APPROVED BY _____ DATE: _____

REGAL-BELOIT CORPORATION
 DESCRIPTION: MODEL-IHP OUTLINE
 SIZE: D DWG NO: 114481
 SCALE: NONE SHEET: 1

REVISION: ECO	REVISADO POR: P.ROJAS	FECHA: 04-18-2012	APROBADO POR: R.RASCON	FECHA: 04-18-2012
C	0025428			



CARCAZA	FORMA	B	C	2F	AA	BS
CS-F213T	M	7.62[193.5]	17.62[447.5]	5.50[139.7]	1.00[25.4]	4.15[105.4]
CP-F215T	M	9.12[231.6]	19.12[485.6]	7.00[177.8]	1.34[34.0]	5.65[143.5]
CP-FE215T	M	10.62[269.7]	20.62[523.7]	7.00[177.8]	1.00[25.4]	7.15[181.6]
CP-F215T	M	9.12[231.6]	19.12[485.6]	7.00[177.8]	1.00[25.4]	5.65[143.5]

CARACTERISTICAS DE GEOMETRIA Y SIMBOLOS:
 ▽ PLANICIDAD
 - RECTITUD
 < ANGULARIDAD
 ⊥ PERPENDICULARIDAD (A ESCUADRA)
 // PARALELISMO
 ○ REDONDEZ (CIRCULARIDAD)
 Ⓞ CILINDRICIDAD
 ≡ PERFIL DE CUALQUIER SUPERFICIE
 ⤴ PERFIL DE CUALQUIER LINEA
 ↗ VARIACION
 ⊕ POSICION REAL
 ⊙ CONCENTRICIDAD
 = SIMETRIA

A MENOS QUE SE ESPECIFIQUE DE OTRA MANERA, LAS TOLERANCIAS DE LAS DIMS, SON LAS SIGUIENTES:
 PULG ±.1 ±.02 ±.005 ±.0005
 mm ±0.5 ±0.13 ±0.013
 ANG ±50 GRADOS
 ELIMINAR REBABAS Y ORILLAS FILOSAS DEL BORDE.
 FILETEAR ESQUINA: PULG .020 mm 0.5
 MAQUINAR SUPERFICIES
 PULG 125 mm 3.2
 DIMS METRICAS MOSTRADAS [PARENTESIS]

ASME Y14.5M 1994

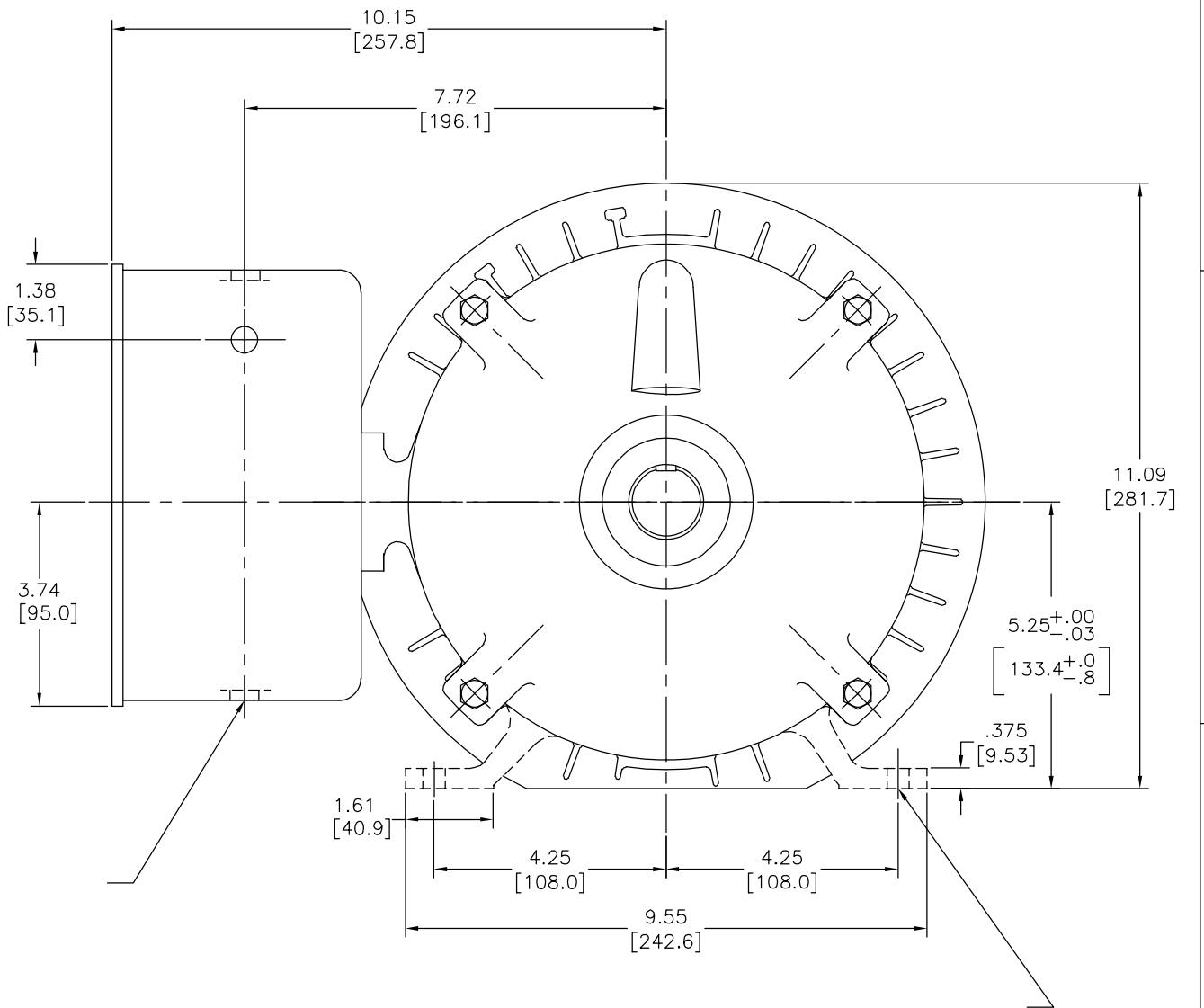
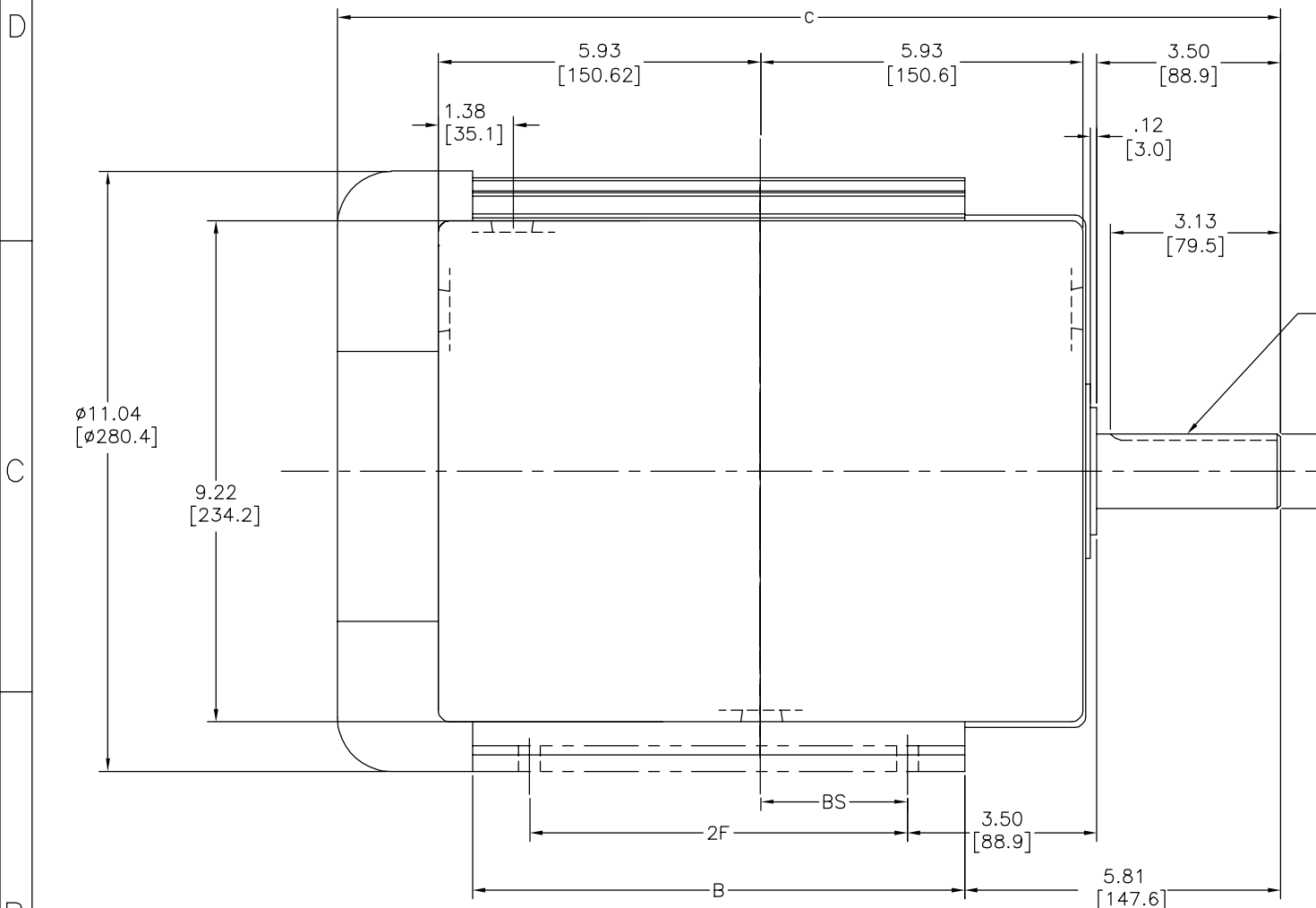
DIBUJADO POR: B.J.L. 04-25-1975
 APROBADO POR: P.A.W. 12-28-1993
 TERCER ANGULO DE PROYECCION: FECHA EDS: 11-11-2011
 REV. FORMATO: G

CONFIDENCIAL: ESTE DIBUJO Y SU INFORMACION SON PROPIEDAD DE USO EXCLUSIVO Y CONFIDENCIAL DE REGAL-BELOIT CORPORATION, Y NO DEBERAN SER REVELADOS, DUPLICADOS, DISTRIBUIDOS O USARSE DE OTRA MANERA SIN EL CONSENTIMIENTO ESCRITO DE REGAL-BELOIT CORPORATION. -TODOS LOS DERECHOS RESERVADOS.

CERTIFICATION OF A.C. MOTORS
 CERTIFIED FOR _____
 SPEC. NO. _____ ORDER NO. _____
 ORDER I.D. _____ EMI _____
 TYPE _____ FRAME _____ H.P. _____
 R.P.M. _____ VOLTS _____ PHASE _____
 HERTZ _____ AMPS _____ CODE _____
 REMARKS _____
 APPROVED BY _____ DATE: _____

DESCRIPCION: MODEL-IHP OUTLINE
 TAMAÑO: D NUMERO DE DIBUJO: 114481
 ESCALA: NONE HOJA: 1

版本	ECO	编制	日期	批准	日期
C	0025428	P.ROJAS	04-18-2012	R.RASCON	04-18-2012



		B	C	2F	AA	BS
CS-F213T	M	7.62[193.5]	17.62[447.5]	5.50[139.7]	1.00[25.4]	4.15[105.4]
CP-F215T	M	9.12[231.6]	19.12[485.6]	7.00[177.8]	1.34[34.0]	5.65[143.5]
CP-FE215T	M	10.62[269.7]	20.62[523.7]	7.00[177.8]	1.00[25.4]	7.15[181.6]
CP-F215T	M	9.12[231.6]	19.12[485.6]	7.00[177.8]	1.00[25.4]	5.65[143.5]

形位公差	除另有注明
尺寸公差如下:	尺寸公差如下:
平面度	英寸 ±.1 ±.02 ±.005 ±.0005
直线度	毫米 ±0.5 ±0.13 ±0.013
倾斜度	角度 ±.50 度
垂直度	清理毛刺和尖棱
平行度	英寸 .003-.015 毫米 0.1-0.4
圆度	内圆角
圆柱度	英寸 .020 毫米 0.5
面轮廓度	表面粗糙度
圆跳动	英制 125/ 米制 3.2
位置度	米制尺寸显示在 []
同轴度	
对称度	

ASME Y14.5M 1994	米制尺寸显示在 []
------------------	-------------

绘图:	BJL	04-25-1975
批准:	PAW	12-28-1993
第三角投影		图纸格式发布日期 11-11-2011
		图纸格式版本 G

CERTIFICATION OF A.C. MOTORS
 CERTIFIED FOR _____
 SPEC. NO. _____ ORDER NO. _____
 ORDER I.D. _____ EMI _____
 TYPE _____ FRAME _____ H.P. _____
 R.P.M. _____ VOLTS _____ PHASE _____
 HERTZ _____ AMPS _____ CODE _____
 REMARKS _____
 APPROVED BY _____ DATE: _____

名称		REGAL-BELOIT CORPORATION	
MODEL-IHP		OUTLINE	
图号	D	图号	114481
比例	NONE	页号	1