

PRODUCT INFORMATION PACKET



Model No: K221M2

Catalog No: K221M2

Crop Dryer Motor, 7 HP, 1 Ph, 60 Hz, 200-230 V, 3600 RPM, 184TZ Frame, DP



Regal and Century are trademarks of Regal Rexnord Corporation or one of its affiliated companies.
©2022 Regal Rexnord Corporation, All Rights Reserved. MC017097E





Nameplate Specifications

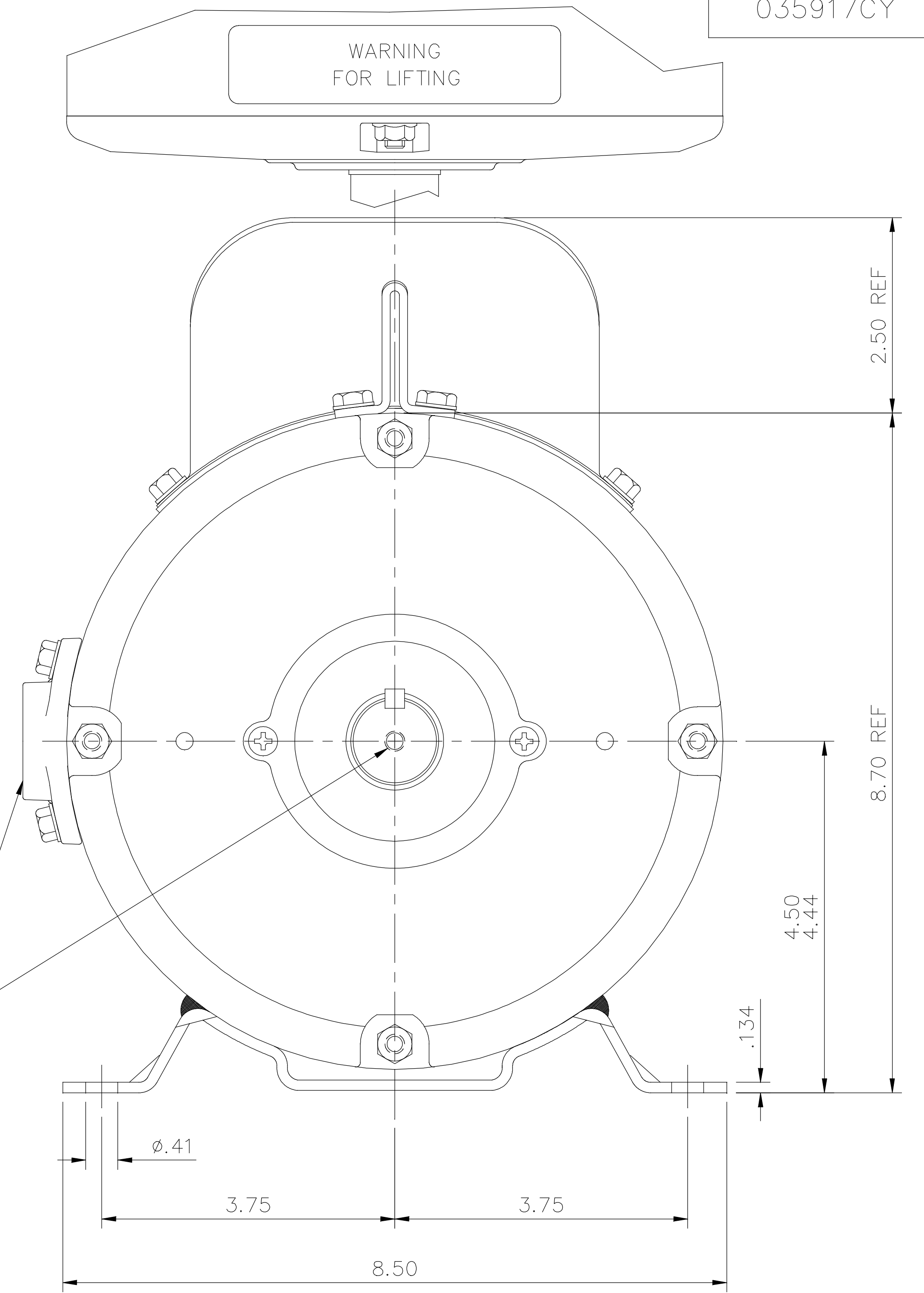
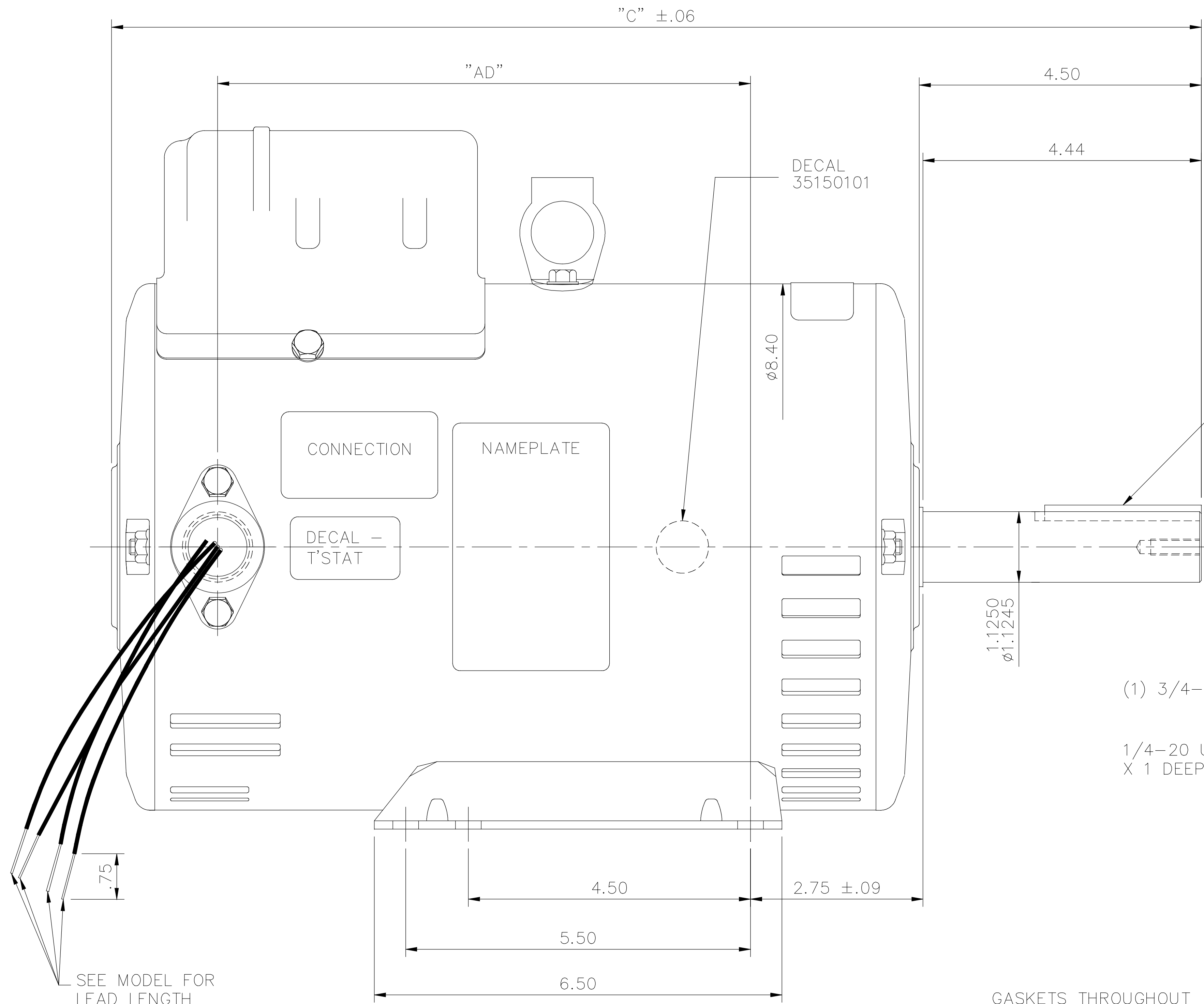
Output HP	7 Hp	Output KW	5.2 kW
Frequency	60 Hz	Voltage	200-230 V
Current	31.5-27 A	Speed	3500 rpm
Service Factor	1	Phase	1
Duty	Air Over	Insulation Class	F
Frame	184TZ	Enclosure	Drip Proof
Thermal Protection	No Protection	Ambient Temperature	50 °C
UL	Recognized	CSA	Y
CE	N	Number of Speeds	1

Technical Specifications

Electrical Type	DC Permanent Magnet	Starting Method	Across The Line
Poles	2	Rotation	Selective Counterclockwise
Mounting	Rigid Base	Drive End Bearing	Ball
Opp Drive End Bearing	Ball	Frame Material	Rolled Steel
Shaft Type	Keyed	Overall Length	16.88 in
Frame Length	11.00 in	Shaft Diameter	1.125 in
Shaft Extension	4.5 in		
Connection Drawing	005368.07CY	Outline Drawing	035917CY

This is an uncontrolled document once printed or downloaded and is subject to change without notice. Date Created:11/28/2022

035917CY



DASH NO.	"C"	"AD"
950	15.38	6.50
1000	15.88	7.00
1050	16.38	7.50
1100	16.88	8.00
1150	17.38	8.50
1200	17.88	9.00
1250	18.38	9.50

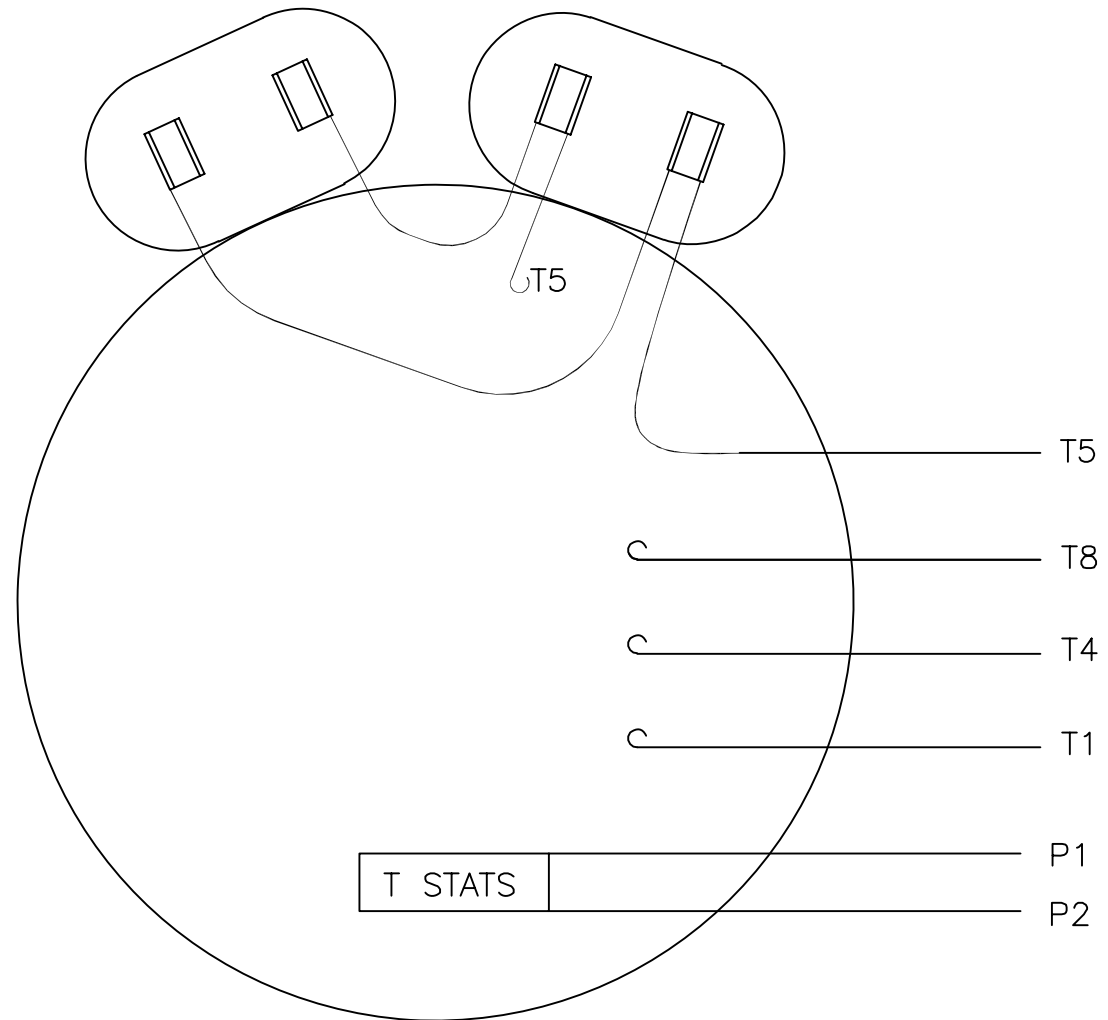
NO.	REVISION	BY & DATE	TOLERANCES UNLESS SPECIFIED	
			DEC.	INCHES
A	REMOVED FULL DEPTH NOTE PER ECR-0142614	MVG 01/02/18	.X	±.1
			.XX	±.03
			.XXX	±.005
			.XXXX	±.0005
			ANG	±1/2°

Regal Beloit America, Inc.		DRAWN GR 08/31/12 CHK VS 08/31/12 APPD SCALE 1=2 REF 035613 FMF PREV
TITLE OUTLINE - 184TZ FRAME DRIP PROOF - RIGID MOUNT		MAT'L. FINISH
RFP	CAD FILE 035917CY	SIZE B
DIST		DRAWING NO. 035917CY
		REV. A

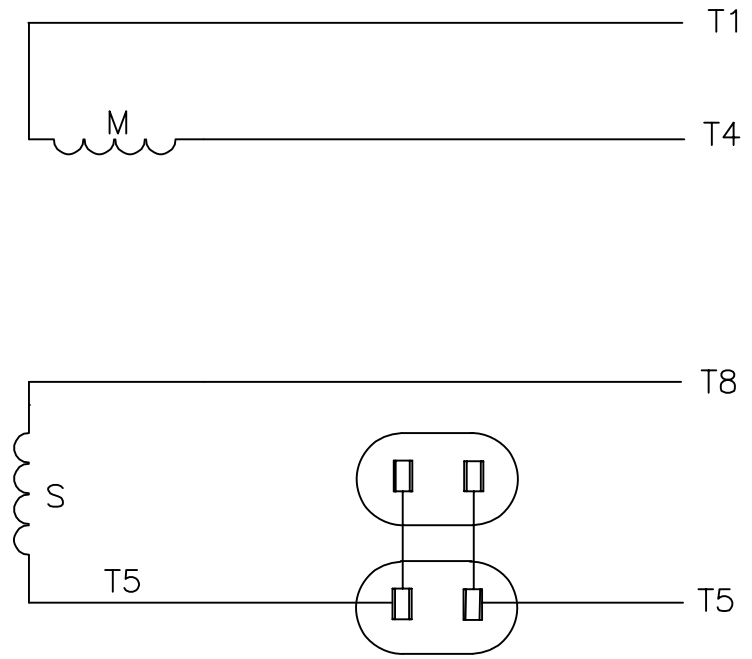
THIS DRAWING IN DESIGN AND DETAIL IS OUR PROPERTY AND MUST NOT BE USED EXCEPT IN CONNECTION WITH OUR WORK ALL RIGHTS OF DESIGN AND INVENTION ARE RESERVED THIS IS AN ELECTRONICALLY GENERATED DOCUMENT - DO NOT SCALE THIS PRINT

005368-07CY


VIEW FROM OUTSIDE OF MOTOR AT SWITCH END.



LINE LEADS



ROTATION FACING LEAD END	L1	L2	
C.W.	T1,T5	T4,T8	
C.C.W	T1,T8	T4,T5	

		TOLERANCES UNLESS SPECIFIED				DRAWN GR 08/29/12	
		DEC.	INCHES			CHK AK 08/29/12	
		.X	±.1			APPD	
C	UPDATED CONNECTION DIAGRAM PER ECO-0046112	AA 02/24/14	DJ			.XX	±.01
B				.XXX	±.005	SCALE 1=1	
A				.XXXX	±.0005	REF 005368-06CY	
NO.	REVISION	BY & DATE	CHK	ANG	±1/2'	FMP 121529.00	
THIS DRAWING IN DESIGN AND DETAIL IS OUR PROPERTY AND MUST NOT BE USED EXCEPT IN CONNECTION WITH OUR WORK ALL RIGHTS OF DESIGN AND INVENTION ARE RESERVED THIS IS AN ELECTRONICALLY GENERATED DOCUMENT - DO NOT SCALE THIS PRINT			RFP	CAD FILE	00536807CY	SIZE	DRAWING NO.
			DIST			A	005368-07CY
							REV. C