

PRODUCT INFORMATION PACKET



Model No: G151828.60

Catalog No: G151828.60

Obsolete in the US,

replaced by 171861.60 -.10HP..1800RPM.215TZ.ODP.230/460V.3PH.60HZ.CONT.40C..RIGID.....

Regal and Leeson are trademarks of Regal Rexnord Corporation or one of its affiliated companies.

©2023 Regal Rexnord Corporation, All Rights Reserved. MC017097E





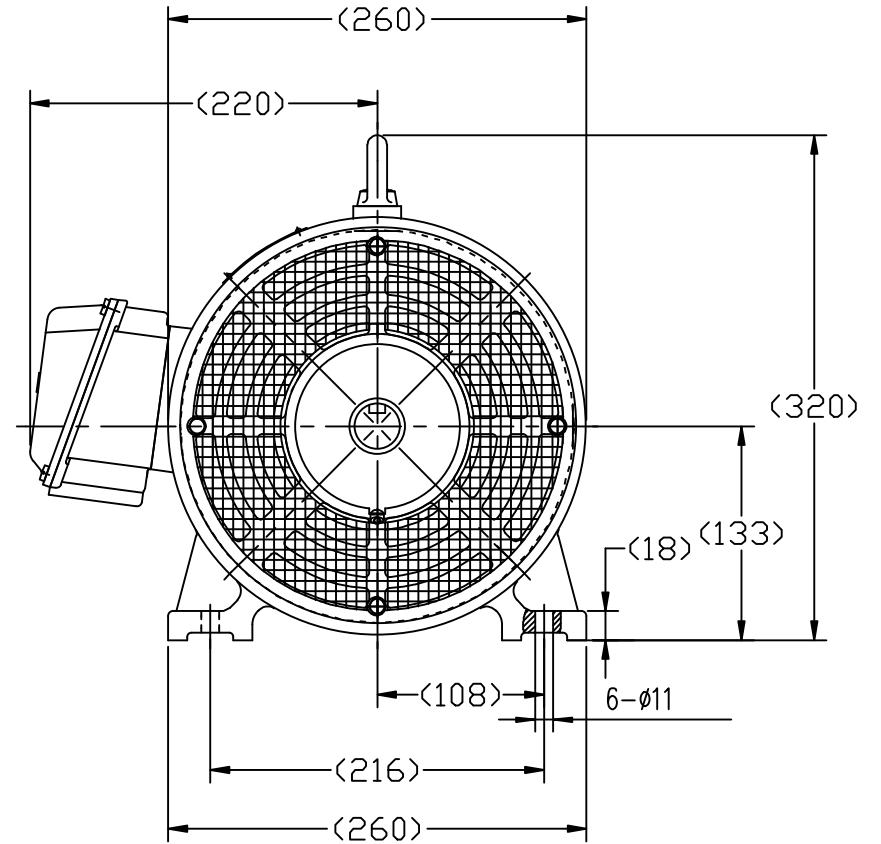
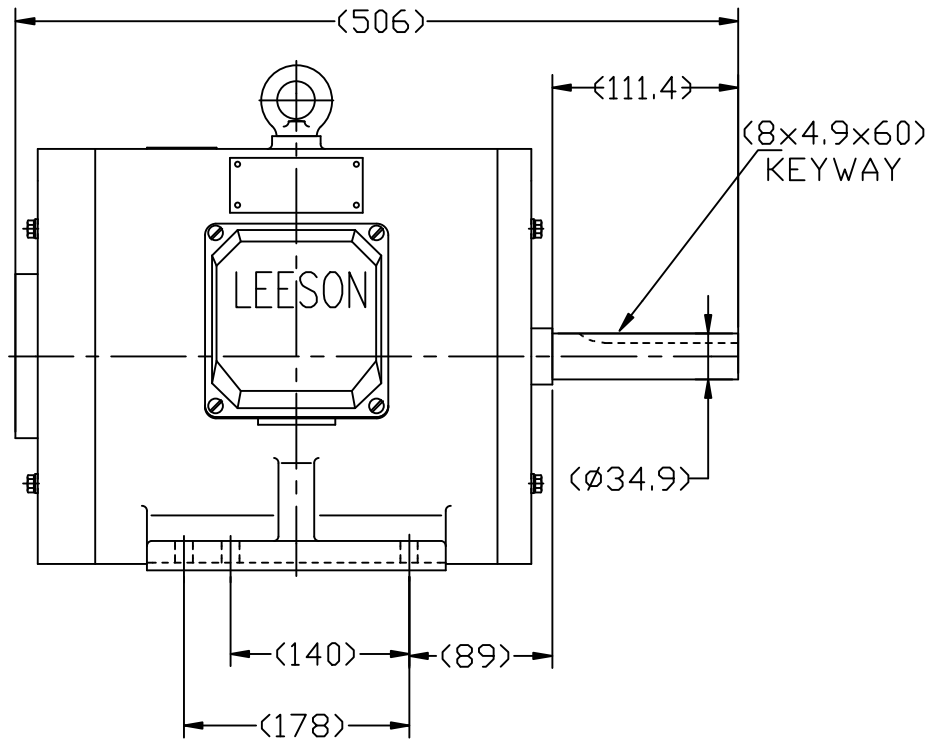
Nameplate Specifications

Phase	3	Output HP	10 & 7.50 Hp
Output KW	7.5 & 5.6 kW	Voltage	208-230/460 & 190/380 V
Speed	1763 & 1470 rpm	Service Factor	1.15 & 1.15
Frame	215T	Enclosure	Drip Proof
Thermal Protection	No Protection	Efficiency	90.2 & 90.2 %
Ambient Temperature	40 °C	Frequency	60 & 50 Hz
Current	26.4-25/12.5 & 23/11.5 A	Power Factor	82.5
Duty	Continuous	Insulation Class	F
Design Code	B	KVA Code	H
Drive End Bearing Size	6308	Opp Drive End Bearing Size	6208
UL	Recognized	CSA	Y
CE	Y	IP Code	22
Number of Speeds	1		

Technical Specifications

Electrical Type	Squirrel Cage Induction Run	Starting Method	Across The Line
Poles	4	Rotation	Reversible
Mounting	Rigid Base	Motor Orientation	Horizontal
Drive End Bearing	Ball	Opp Drive End Bearing	Ball
Frame Material	Cast Iron	Shaft Type	T
Assembly/Box Mounting	F1/F2 CAPABLE		
Outline Drawing	SS622376	Connection Drawing	00501001

This is an uncontrolled document once printed or downloaded and is subject to change without notice. Date Created:06/23/2023



DRAWING MAY NOT BE TO SCALE

		TOLERANCES UNLESS SPECIFIED		REGAL REGAL-BELOIT CORPORATION	DRAWN MDL 08-14-2012
		DEC.	INCHES		CHK
		.X	±.1		APPD
		.XX	±.03	TITLE	SCALE
		.XXX	±.005	N215-DDP-G4-RODENT SCREEN	
		.XXXX	±.0005	MAT'L.	REF G151028.60
NO.	REVISION	BY & DATE	CHK	ANG	FINISH
THIS DRAWING IN DESIGN AND DETAIL IS OUR PROPERTY AND MUST NOT BE USED EXCEPT IN CONNECTION WITH OUR WORK ALL RIGHTS OF DESIGN AND INVENTION ARE RESERVED THIS IS AN ELECTRONICALLY GENERATED DOCUMENT - DO NOT SCALE THIS PRINT			RFP	CAD FILE	SS622376
			DIST	SIZE	DRAWING NO.
				B	SS622376
					REV.

005010-01

VIEW FROM OUTSIDE OF MOTOR AT SWITCH END.



VOLTAGE	L1	L2	L3	JOIN & INSULATE
HIGH	T1	T2	T3	(T4,T7) (T5,T8) (T6,T9)
LOW	T1,T7	T2,T8	T3,T9	T4,T5,T6

		TOLERANCES UNLESS SPECIFIED		Regal Beloit America, Inc.		DRAWN RDW 04/12/02				
		DEC.	INCHES			CHK				
		.X	±.1	TITLE EXTERNAL WIRING DIAGRAM 3 PHASE W/O PROTECTOR		APPD				
		.XX	±.01			SCALE 1=1				
		.XXX	±.005			REF FIG.2-51				
A	UPDATED TO REGAL LOGO	SAJ	06/26/15	AJY	.XXXX	±.0005	MAT'L. DECAL - 004014	FMF		
NO.	REVISION	BY & DATE	CHK	ANG	±1/2"	FINISH	PREV			
THIS DRAWING IN DESIGN AND DETAIL IS OUR PROPERTY AND MUST NOT BE USED EXCEPT IN CONNECTION WITH OUR WORK ALL RIGHTS OF DESIGN AND INVENTION ARE RESERVED THIS IS AN ELECTRONICALLY GENERATED DOCUMENT - DO NOT SCALE THIS PRINT				RFP	04/12/02	CAD FILE	00501001	SIZE A	DRAWING NO. 005010-01	REV. A
				DIST	BRF-NLV					