

# PRODUCT INFORMATION PACKET



Model No: G151746.60

Catalog No: G151746.60

Obsolete in the US,

Replaced by 199998.00..15HP..3450RPM.215JP.TEFC.230/460V.3PH.60HZ.CONT.40C.1.15SF.RIGID.....PUMP.NOT.....

Regal and Leeson are trademarks of Regal Rexnord Corporation or one of its affiliated companies.

©2023 Regal Rexnord Corporation, All Rights Reserved. MC017097E





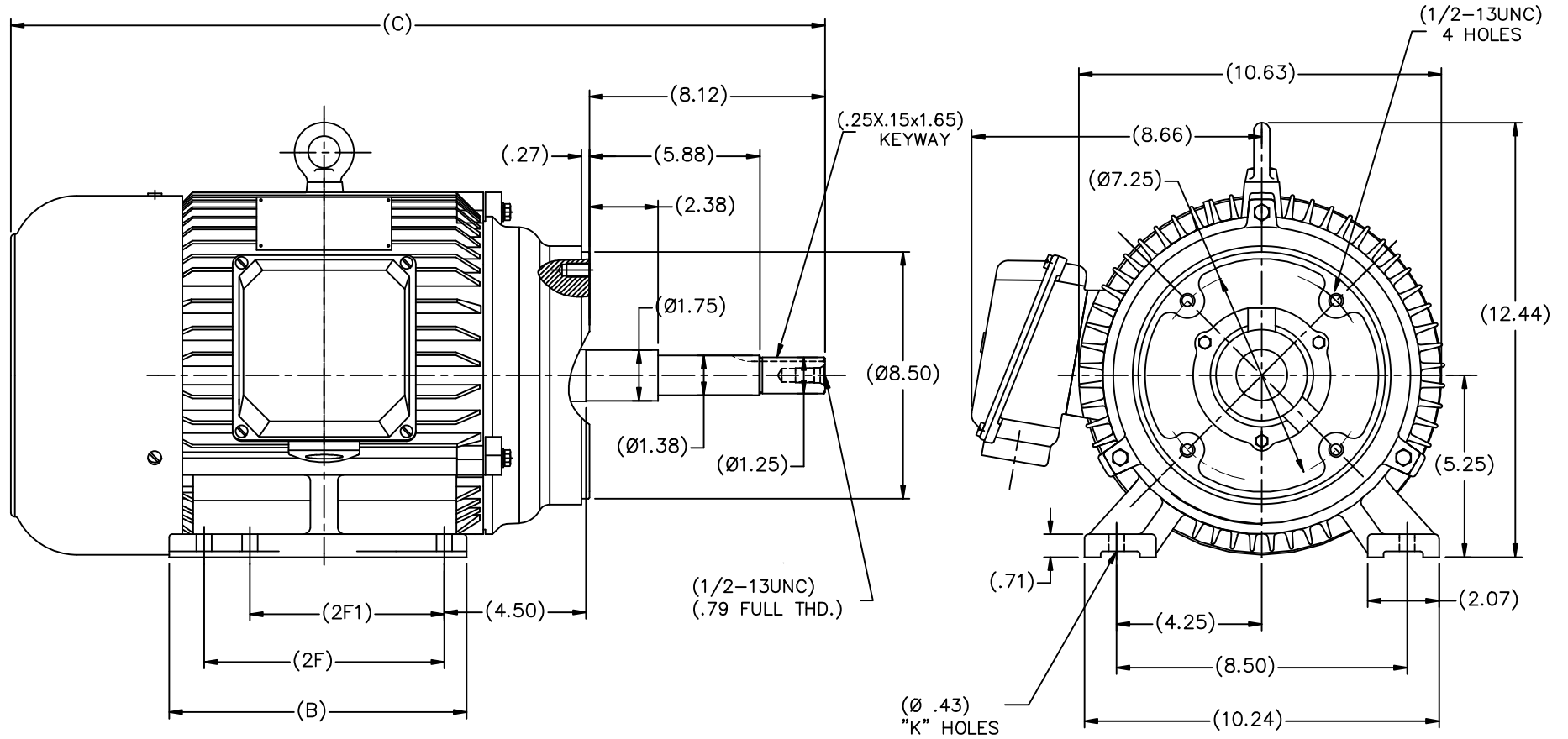
### Nameplate Specifications

Phase	3	Output HP	15 & 10 Hp
Output KW	11.2 & 7.5 kW	Voltage	208-230/460 & 190/380 V
Speed	3512 & 2935 rpm	Service Factor	1.15 & 1.15
Frame	215JP	Enclosure	Totally Enclosed Fan Cooled
Thermal Protection	No Protection	Efficiency	91 & 91 %
Ambient Temperature	40 °C	Frequency	60 & 50 Hz
Current	38-35/17.5 & 28/14 A	Power Factor	89
Duty	Continuous	Insulation Class	F
Design Code	B	KVA Code	H
Drive End Bearing Size	6209	Opp Drive End Bearing Size	6207
UL	Recognized	CSA	Y
CE	Y	IP Code	43
Number of Speeds	1		

### Technical Specifications

Electrical Type	Squirrel Cage Inverter Rated	Starting Method	Line Or Inverter
Poles	2	Rotation	Reversible
Resistance Main	.5505 Ohms	Mounting	Rigid Base
Motor Orientation	Horizontal	Drive End Bearing	Ball
Opp Drive End Bearing	Ball	Frame Material	Cast Iron
Shaft Type	JP	Assembly/Box Mounting	F1/F2 CAPABLE
Inverter Load	CONSTANT 2:1		
Outline Drawing	SS622305	Connection Drawing	005010.10

This is an uncontrolled document once printed or downloaded and is subject to change without notice. Date Created:06/22/2023



(DRAWING NOT TO SCALE)

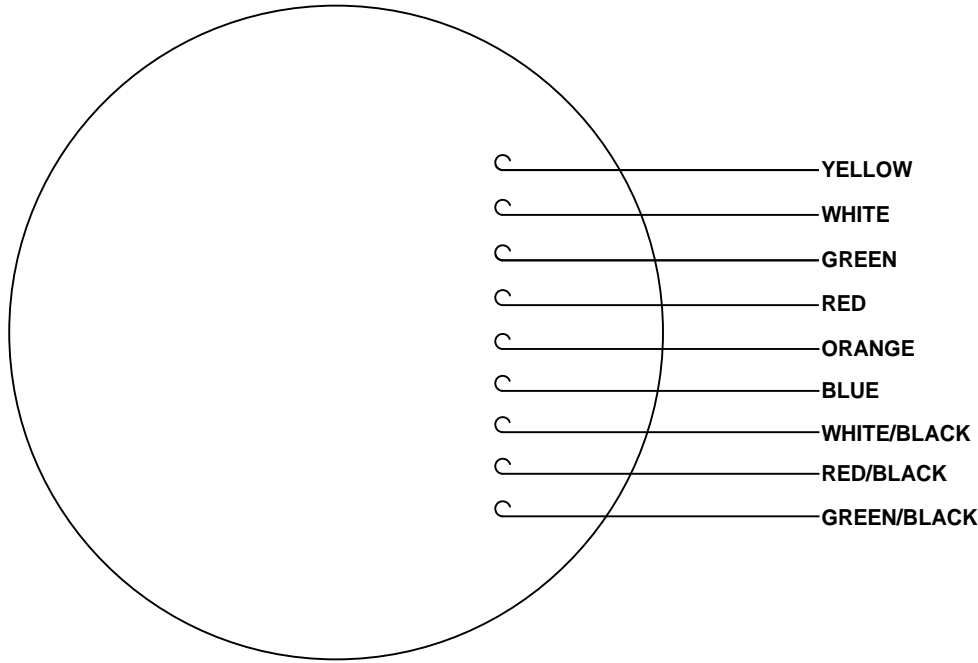
TYPE	C	B	2F	2F1	K
N213JP	24.02	7.32	5.50	-	4
N215JP	25.43	8.82	7.00	5.50	6

NO.		REVISION	BY & DATE	CHK	ANG	±7'30"	FINISH	PREV
THIS DRAWING IN DESIGN AND DETAIL IS OUR PROPERTY AND MUST NOT BE USED EXCEPT IN CONNECTION WITH OUR WORK ALL RIGHTS OF DESIGN AND INVENTION ARE RESERVED THIS IS AN ELECTRONICALLY GENERATED DOCUMENT - DO NOT SCALE THIS PRINT								
				RFP	CAD FILE SS622305			SIZE B
				DIST				DRAWING NO. SS622305
							PAGE 1	OF 4
							REV.	



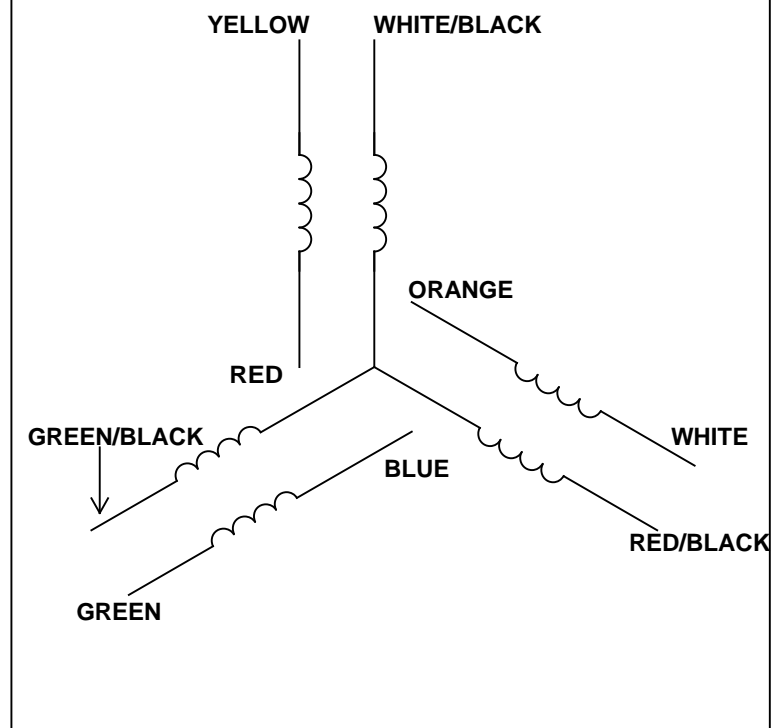
TOLERANCES UNLESS SPECIFIED  
 DEC. METRIC  
 .X ±2.5  
 .XX ±.76  
 .XXX ±.127  
 .XXXX ±.0127  
 TITLE OUTLINE  
 N210JP -C FACE- TEFC  
 MAT'L  
 DRAWN MCL 06-29-2011  
 CHK MCL 06-29-2011  
 APPD  
 SCALE 1=30  
 REF  
 FMF HEBEJ  
 PREV

VIEW FROM OUTSIDE OF MOTOR AT SWITCH END.


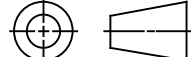


RBC PROPRIETARY AND CONFIDENTIAL INFORMATION  
 This document is the property of REGAL BELOIT CORPORATION ("RBC") including its subsidiaries and divisions and contains proprietary information of RBC. This document is loaned on the express condition that neither it nor the information contained therein shall be disclosed to others without the express written consent of RBC, and that the information shall be used by the recipient only as approved expressly by RBC. This document shall be returned to RBC upon its request. This document may be subject to certain restrictions under U.S. export control laws and regulations.

**LINE LEADS**



VOLTAGE	L1	L2	L3	JOIN & INSULATE
HIGH	YELLOW	WHITE	GREEN	(RD, WH/BL) (OR, RD/BL) (BU, GR/BL)
LOW	YELLOW, WH/BL	WHITE, RD/BL	GREEN, GR/BL	RED, ORANGE, BLUE

		TOLERANCES UNLESS SPECIFIED		 ELECTRIC MOTORS GEARMOTORS AND DRIVES	DRAWN TGH 04/07/94
		DEC	INCHES		CHK KH 04/11/94
		.X	±.1		APPR PG 04/11/94
		.XX	±.01	TITLE EXTERNAL WIRING DIAGRAM 3 PHASE W/COLOR LEAD	SCALE 1:1
--	REDRAWN IN SOLIDWORKS	VJB 02/08/11	.XXX ±.005		REF TX4G
02	UPDATED TO CURRENT STANDARDS	DBT 07/15/97	.XXXX ±.0005	MAT'L	FMF 113793
NO	REVISION	BY & DATE	CHK ANG ±1/2°	FINISH HUB CITY	PAGE OF
THIRD ANGLE PROJECTION		RFP		PREV	SIZE DRAWING NO
		NETWORK FILE NAME 00501010			<b>A</b> <b>005010-10</b>
					REV --