

PRODUCT INFORMATION PACKET



Model No: G151745.60

Catalog No: G151745.60

Obsolete in the US,

replaced by 199789.00 -10HP..1760RPM.N215JP.TEFC.230/460V.3PH.60HZ.CONT.NOT.40C.1.15SF.RIGID.PUMP.

Regal and Leeson are trademarks of Regal Rexnord Corporation or one of its affiliated companies.

©2023 Regal Rexnord Corporation, All Rights Reserved. MC017097E





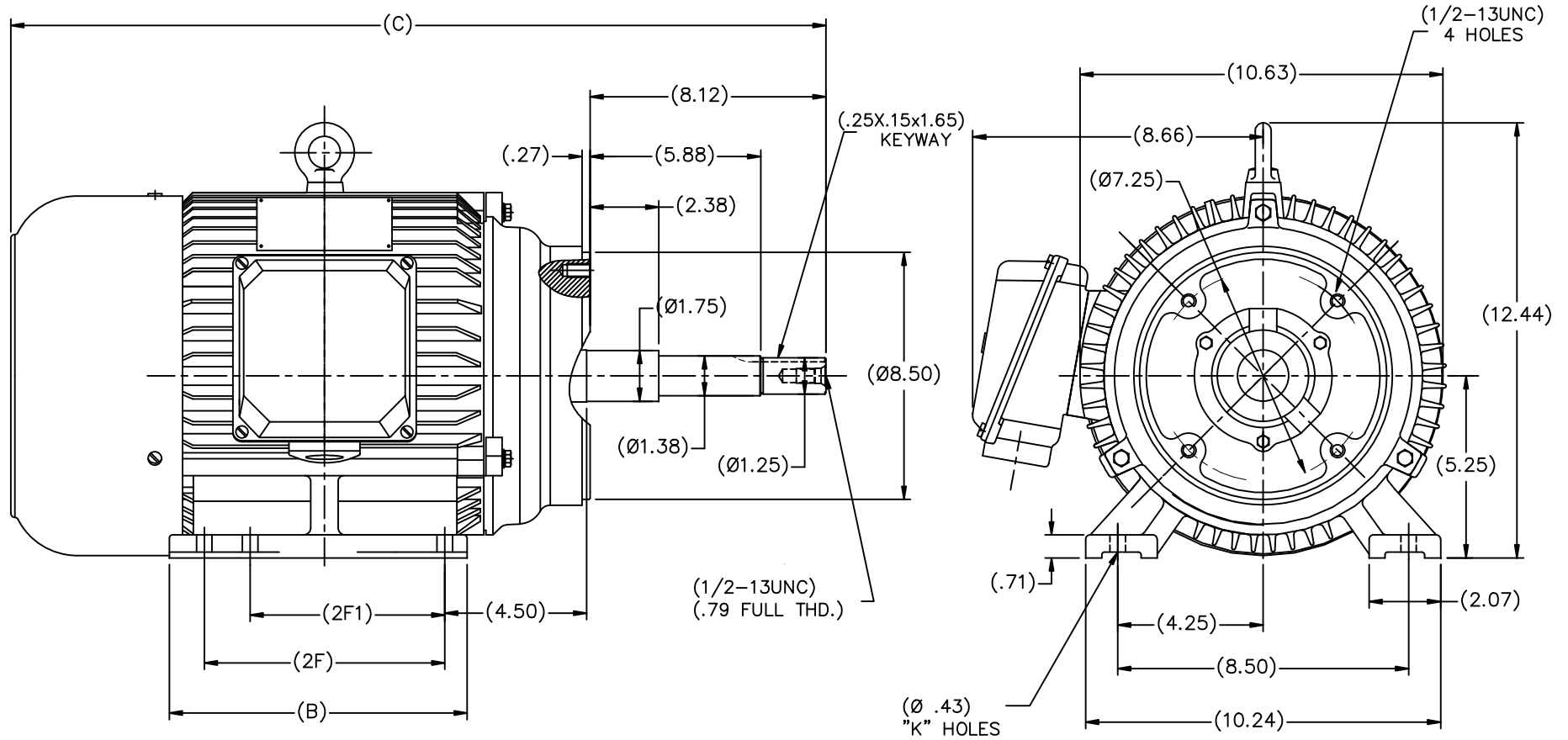
Nameplate Specifications

Phase	3	Output HP	10 & 7.50 Hp
Output KW	7.5 & 5.6 kW	Voltage	208-230/460 & 190/380 V
Speed	1765 & 1465 rpm	Service Factor	1.15 & 1.15
Frame	215JP	Enclosure	Totally Enclosed Fan Cooled
Thermal Protection	No Protection	Efficiency	90.2 & 89.5 %
Ambient Temperature	40 °C	Frequency	60 & 50 Hz
Current	0-24/12 & 23.2/11.6 A	Power Factor	85
Duty	Continuous	Insulation Class	F
Design Code	B	KVA Code	H
Drive End Bearing Size	6309	Opp Drive End Bearing Size	6306
UL	Recognized	CSA	Y
CE	Y	IP Code	55
Number of Speeds	1		

Technical Specifications

Electrical Type	Squirrel Cage Inverter Rated	Starting Method	Line Or Inverter
Poles	4	Rotation	Reversible
Resistance Main	.279 Ohms	Mounting	Rigid Base
Motor Orientation	Horizontal	Drive End Bearing	Ball
Opp Drive End Bearing	Ball	Frame Material	Cast Iron
Shaft Type	JP	Assembly/Box Mounting	F2/F1 CAPABLE
Inverter Load	CONSTANT 10:1		
Outline Drawing	SS622305	Connection Drawing	00501001

This is an uncontrolled document once printed or downloaded and is subject to change without notice. Date Created:06/22/2023



(DRAWING NOT TO SCALE)

TYPE	C	B	2F	2F1	K
N213JP	24.02	7.32	5.50	-	4
N215JP	25.43	8.82	7.00	5.50	6

NO.		REVISION	BY & DATE	CHK	ANG	±7'30"	FINISH	PREV
THIS DRAWING IN DESIGN AND DETAIL IS OUR PROPERTY AND MUST NOT BE USED EXCEPT IN CONNECTION WITH OUR WORK ALL RIGHTS OF DESIGN AND INVENTION ARE RESERVED THIS IS AN ELECTRONICALLY GENERATED DOCUMENT - DO NOT SCALE THIS PRINT								RFP DIST
TOLERANCES UNLESS SPECIFIED DEC. METRIC .X ±2.5 .XX ±.76 .XXX ±.127 .XXXX ±.0127						TITLE OUTLINE N210JP -C FACE- TEFC		DRAWN MCL 06-29-2011 CHK MCL 06-29-2011 APPD SCALE 1=30 REF FMF HEBEI PREV
CAD FILE SS622305							SIZE B	DRAWING NO. PAGE OF REV. SS622305

005010-01

VIEW FROM OUTSIDE OF MOTOR AT SWITCH END.



VOLTAGE	L1	L2	L3	JOIN & INSULATE
HIGH	T1	T2	T3	(T4,T7) (T5,T8) (T6,T9)
LOW	T1,T7	T2,T8	T3,T9	T4,T5,T6

				TOLERANCES UNLESS SPECIFIED		REGAL ™ Regal Beloit America, Inc.		DRAWN RDW 04/12/02			
				DEC.	INCHES			CHK			
				.X	±.1			APPD			
				.XX	±.01	TITLE EXTERNAL WIRING DIAGRAM 3 PHASE W/O PROTECTOR		SCALE 1=1			
				.XXX	±.005			REF FIG.2-51			
A	UPDATED TO REGAL LOGO	SAJ 06/26/15	AJY	.XXXX	±.0005	MAT'L DECAL - 004014		FMF			
NO.	REVISION	BY & DATE	CHK	ANG	±1/2"	FINISH		PREV			
THIS DRAWING IN DESIGN AND DETAIL IS OUR PROPERTY AND MUST NOT BE USED EXCEPT IN CONNECTION WITH OUR WORK ALL RIGHTS OF DESIGN AND INVENTION ARE RESERVED THIS IS AN ELECTRONICALLY GENERATED DOCUMENT - DO NOT SCALE THIS PRINT				RFP	04/12/02	CAD FILE		00501001	SIZE	DRAWING NO.	REV.
				DIST		BRF-NLV		A	005010-01	A	