

PRODUCT INFORMATION PACKET



Model No: G151525.60

Catalog No: G151525.60

OBSOLETE REPLACED BY - 171525.60..300HP..1800RPM.445T.ODP.460V.3PH.60HZ.CONT.40C..RIGID.....

..

Regal and Leeson are trademarks of Regal Rexnord Corporation or one of its affiliated companies.

©2023 Regal Rexnord Corporation, All Rights Reserved. MC017097E





Nameplate Specifications

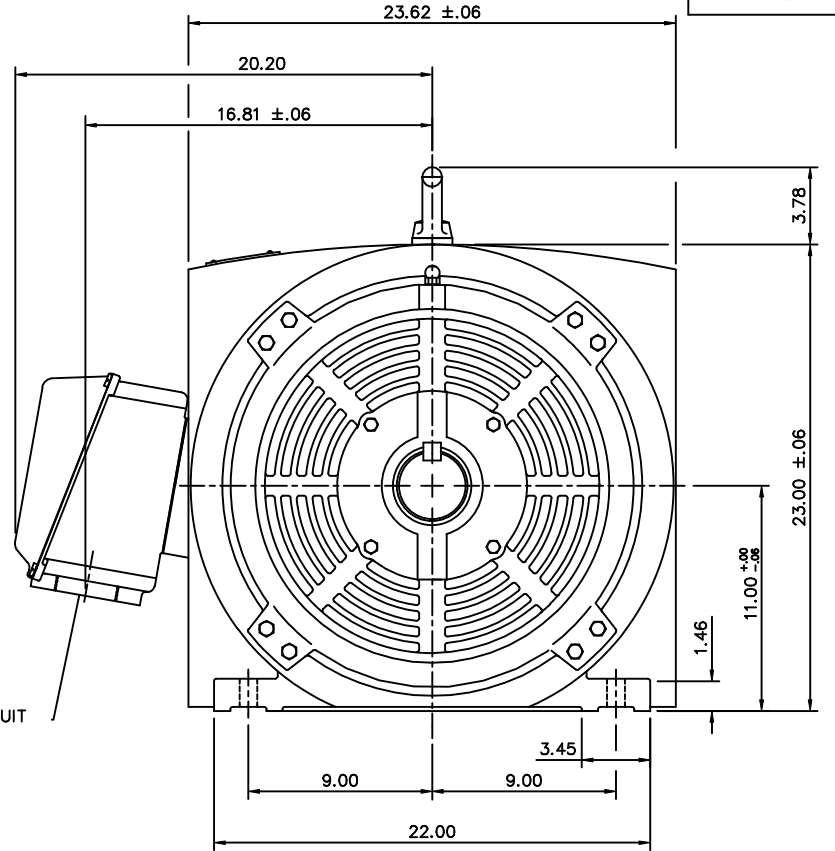
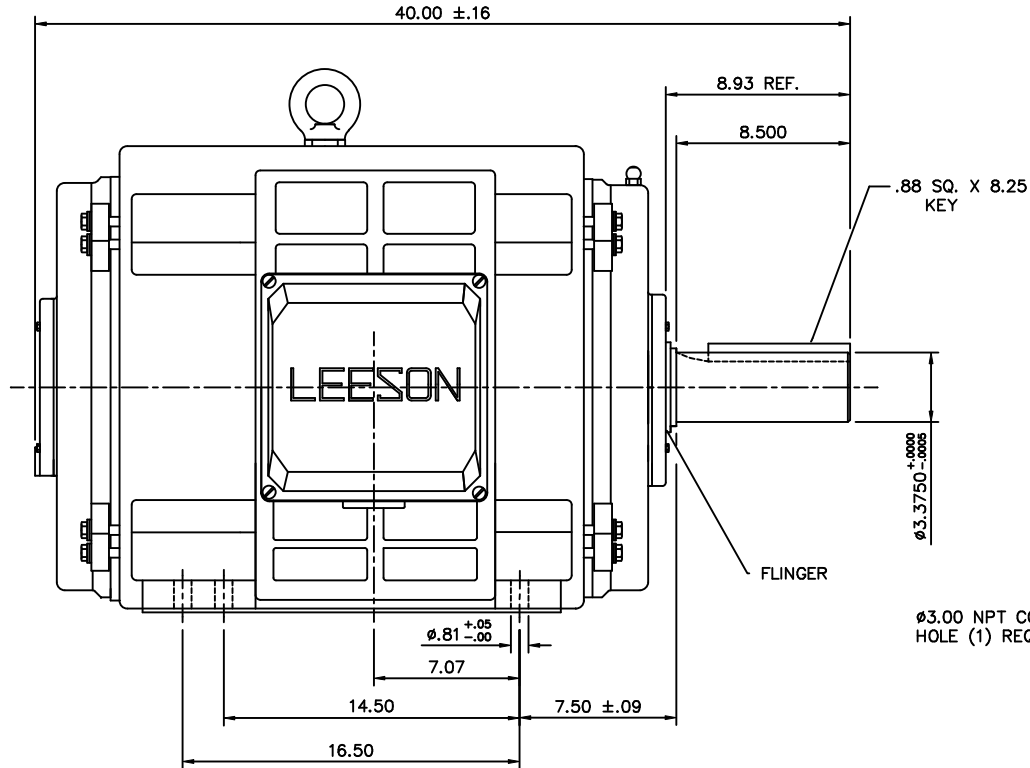
Phase	3	Output HP	300 & 250 Hp
Output KW	224.0 & 187.0 kW	Voltage	460 & 380 V
Speed	1786 & 1485 rpm	Service Factor	1.15 & 1.15
Frame	445T	Enclosure	Drip Proof
Thermal Protection	No Protection	Efficiency	95.8 & 95.8 %
Ambient Temperature	40 °C	Frequency	60 & 50 Hz
Current	345 & 348 A	Power Factor	84.5
Duty	Continuous	Insulation Class	F
Design Code	B	KVA Code	F
Drive End Bearing Size	6318	Opp Drive End Bearing Size	6314
UL	Recognized	CSA	Y
CE	Y	IP Code	12
Number of Speeds	1		

Technical Specifications

Electrical Type	Squirrel Cage Inverter Rated	Starting Method	Wye Start Delta Run Or Inverter
Poles	4	Rotation	Reversible
Resistance Main	.006 Ohms	Mounting	Rigid Base
Motor Orientation	Horizontal	Drive End Bearing	Ball
Opp Drive End Bearing	Ball	Frame Material	Cast Iron
Shaft Type	T	Assembly/Box Mounting	F1/F2 CAPABLE
Inverter Load	CONSTANT 10:1		
Outline Drawing	16958260	Connection Drawing	005190.00

This is an uncontrolled document once printed or downloaded and is subject to change without notice. Date Created:06/22/2023

169582-60



Ø3.00 NPT CONDUIT HOLE (1) REQ'D

				TOLERANCES UNLESS OTHERWISE SPECIFIED		LEESON ELECTRIC CORPORATION		
				DECIMALS		DRAWN LEM 10/01/99		
				.00 ± .03		CH'K'D. ADS 10/15/99		
				.000 ± .005		APPR. ADS 10/15/99		
				.0000 ± .0005		SCALE 1=6		
				FRACTIONS ± 1/64		MATERIAL CAST IRON		
				ANGLES ± 1/2°		FINISH		SIZE B
				INCH/MM		REF. FMF		DRAWING NO. 169582-60
<p>THIS DRAWING IN DESIGN AND DETAIL IS OUR PROPERTY AND MUST NOT BE USED EXCEPT IN CONNECTION WITH OUR WORK. ALL RIGHTS OF DESIGN AND INVENTION ARE RESERVED.</p>								

ERROR: undefined
OFFENDING COMMAND: Pscript_WinN
STACK: