

PRODUCT INFORMATION PACKET



Model No: EXG140535.00

Catalog No: EXG140535.00

EXG140535.00..5/3HP..1170/975RPM.215TC.TEFC.208-230/460//190/380V.3PH.60/50HZ.CONT.40C.1.15SF.ROUND

.....

Regal and Leeson are trademarks of Regal Rexnord Corporation or one of its affiliated companies.

©2023 Regal Rexnord Corporation, All Rights Reserved. MC017097E





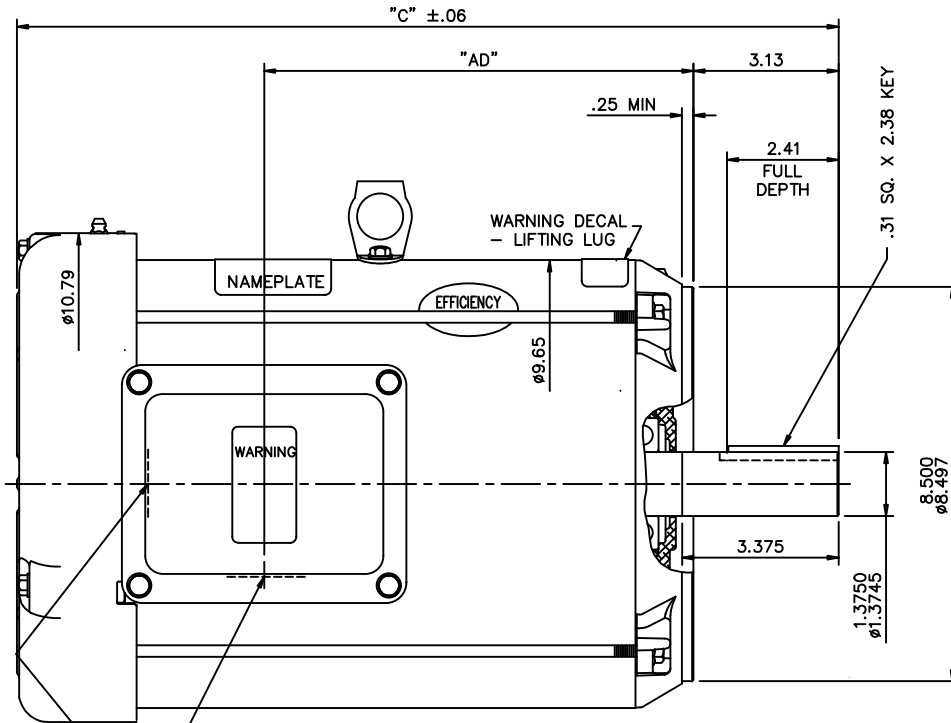
Nameplate Specifications

Phase	3	Output HP	5 & 3 Hp
Output KW	3.7 & 2.2 kW	Voltage	208-230/460 & 190/380 V
Speed	1170 & 975 rpm	Service Factor	1.15 & 1.15
Frame	215TC	Enclosure	Totally Enclosed Fan Cooled
Thermal Protection	No Protection	Efficiency	87.5 %
Ambient Temperature	40 °C	Frequency	60 & 50 Hz
Current	19.8-19.6/9.8 & 16.8/8.4 A	Power Factor	55
Duty	Continuous	Insulation Class	F
Design Code	B	KVA Code	J
Drive End Bearing Size	6207	Opp Drive End Bearing Size	6206
UL	Recognized	CSA	Y
CE	N	IP Code	43
Number of Speeds	1		

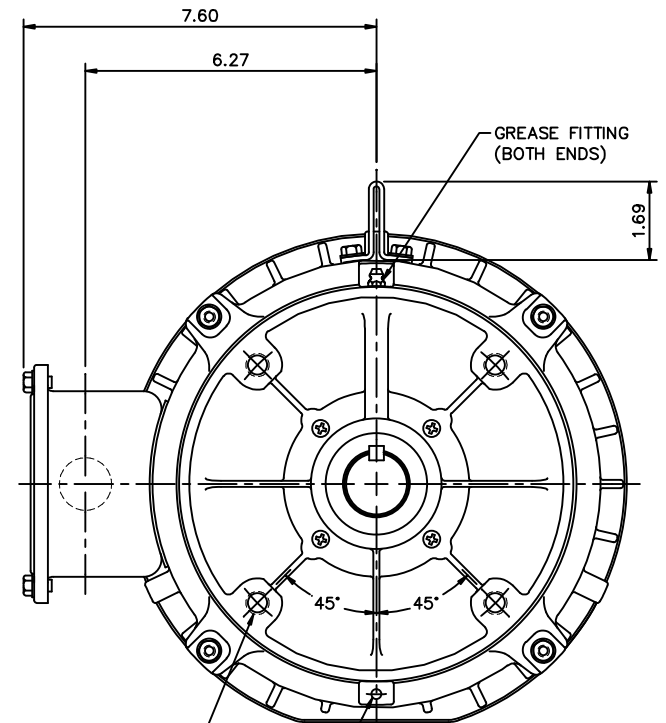
Technical Specifications

Electrical Type	Squirrel Cage Induction Run	Starting Method	Across The Line
Poles	6	Rotation	Reversible
Resistance Main	1.464 Ohms	Mounting	Round
Motor Orientation	Horizontal	Drive End Bearing	Ball
Opp Drive End Bearing	Ball	Frame Material	Rolled Steel
Shaft Type	T	Assembly/Box Mounting	F1 ONLY
Outline Drawing	037614-1150	Connection Drawing	005010.01

This is an uncontrolled document once printed or downloaded and is subject to change without notice. Date Created:06/23/2023



(2) ϕ 1.13 CONDUIT HOLE (PLUGGED)



(4) 1/2-13 UNC-2B X .75 DEEP ON A ϕ 7.250 B.C.

DRAIN HOLE (BOTH ENDS)

GASKETS THROUGHOUT
 MAXIMUM FACE RUNOUT TO BE .004 T.I.R.
 MAXIMUM PILOT ECCENTRICITY TO BE .004 T.I.R.
 PERMISSIBLE SHAFT RUNOUT TO BE .002 T.I.R.

DASH NO.	"C"	"AD"
1000	16.71	8.25
1050	17.21	8.75
1100	17.71	9.25
1150	18.21	9.75
1200	18.71	10.25
1250	19.21	10.75

		TOLERANCES UNLESS SPECIFIED		LEESON ELECTRIC MOTORS GEARMOTORS AND DRIVES		DRAWN RDW 9/9/03				
		DEC.	INCHES			CHK				
01	ADDED: WARNING DECAL - LIFTING LUG & WARNING DECAL - WITH/OUT PROTECTOR; REMOVED: DECAL - WIRING INSTRUCTION	KVN	4/13/2010	.X	±.1	TITLE	OUTLINE - 210TC FRAME TEFC - "C" FACE	APPD SW 9/9/03		
	NAMEPLATE - was - TV SCREEN STYLE			.XX	±.03		SCALE	3=8		
				.XXX	±.005	MAT'L	GENERAL PURPOSE	REF		
				.XXXX	±.0005			FMF 140109		
NO.	REVISION	BY & DATE	CHK	ANG	±1/2"	FINISH	PREV			
	THIS DRAWING IN DESIGN AND DETAIL IS OUR PROPERTY AND MUST NOT BE USED EXCEPT IN CONNECTION WITH OUR WORK ALL RIGHTS OF DESIGN AND INVENTION ARE RESERVED THIS IS AN ELECTRONICALLY GENERATED DOCUMENT - DO NOT SCALE THIS PRINT			RFP	9/9/03	CAD FILE	037614	SIZE B	DRAWING NO. 037614	REV. 01

005010-01

VIEW FROM OUTSIDE OF MOTOR AT SWITCH END.



VOLTAGE	L1	L2	L3	JOIN & INSULATE
HIGH	T1	T2	T3	(T4,T7) (T5,T8) (T6,T9)
LOW	T1,T7	T2,T8	T3,T9	T4,T5,T6

		TOLERANCES UNLESS SPECIFIED		Regal Beloit America, Inc.		DRAWN RDW 04/12/02				
		DEC.	INCHES			CHK				
		.X	±.1	TITLE EXTERNAL WIRING DIAGRAM 3 PHASE W/O PROTECTOR MAT'L. DECAL - 004014		APPD				
		.XX	±.01			SCALE 1=1				
		.XXX	±.005			REF FIG.2-51				
A	UPDATED TO REGAL LOGO	SAJ	06/26/15	AJY	.XXXX	±.0005	FMF			
NO.	REVISION	BY & DATE	CHK	ANG	±1/2"	FINISH	PREV			
THIS DRAWING IN DESIGN AND DETAIL IS OUR PROPERTY AND MUST NOT BE USED EXCEPT IN CONNECTION WITH OUR WORK ALL RIGHTS OF DESIGN AND INVENTION ARE RESERVED THIS IS AN ELECTRONICALLY GENERATED DOCUMENT - DO NOT SCALE THIS PRINT				RFP	04/12/02	CAD FILE	00501001	SIZE	DRAWING NO.	REV.
				DIST	BRF-NLV			A	005010-01	A