

PRODUCT INFORMATION PACKET



Model No: EXG140108.00

Catalog No: EXG140108.00

EXG140108.00..10/7.5HP..1760/1450RPM.215TC.ODP.208-230/460//190/380V.3PH.60/50HZ.CONT.40C.1.15SF.RO
UND.....

Regal and Leeson are trademarks of Regal Rexnord Corporation or one of its affiliated companies.

©2023 Regal Rexnord Corporation, All Rights Reserved. MC017097E





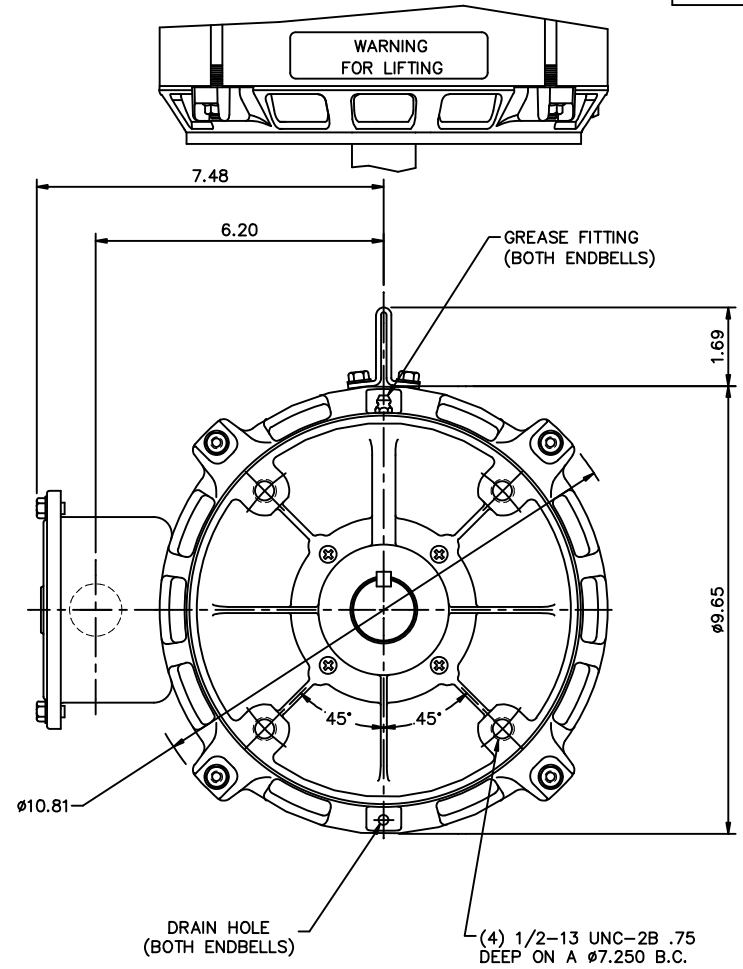
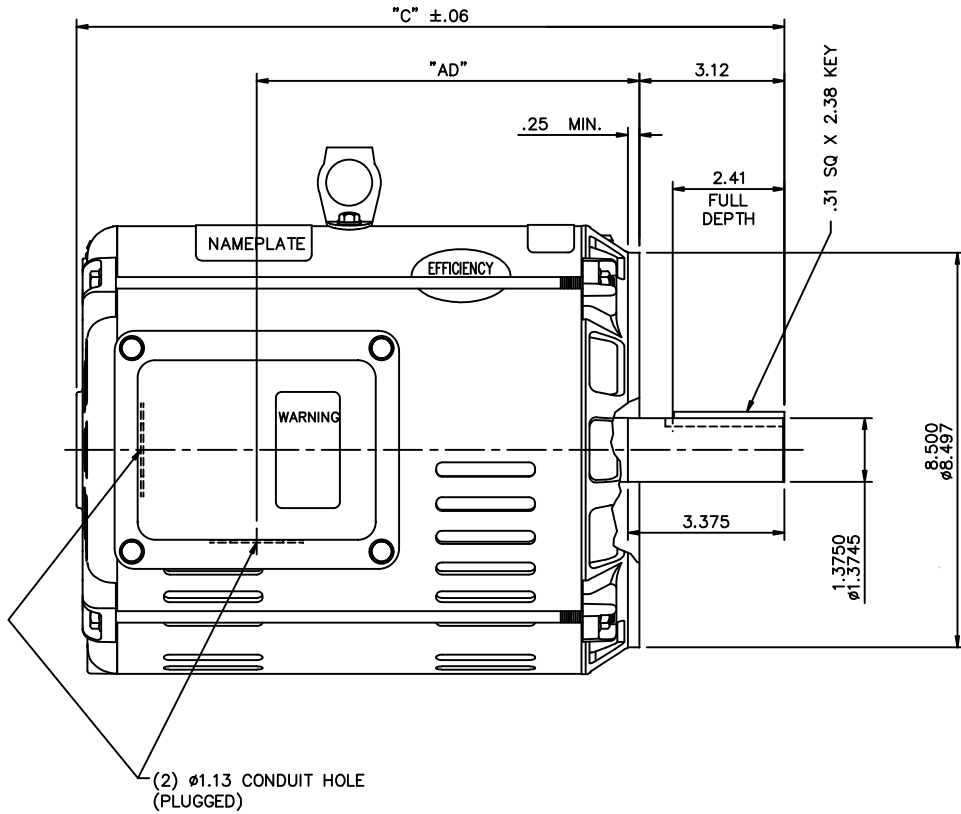
Nameplate Specifications

Phase	3	Output HP	10 & 7.50 Hp
Output KW	7.5 & 5.6 kW	Voltage	208-230/460 & 190/380 V
Speed	1760 & 1450 rpm	Service Factor	1.15 & 1.15
Frame	215TC	Enclosure	Drip Proof
Thermal Protection	No Protection	Efficiency	89.5 %
Ambient Temperature	40 °C	Frequency	60 & 50 Hz
Current	29-28/14 & 26/13 A	Power Factor	74
Duty	Continuous	Insulation Class	F
Design Code	B	KVA Code	H
Drive End Bearing Size	6207	Opp Drive End Bearing Size	6206
UL	Recognized	CSA	Y
CE	N	IP Code	22
Number of Speeds	1		

Technical Specifications

Electrical Type	Squirrel Cage Induction Run	Starting Method	Across The Line
Poles	4	Rotation	Reversible
Resistance Main	.976 Ohms	Mounting	Round
Motor Orientation	Horizontal	Drive End Bearing	Ball
Opp Drive End Bearing	Ball	Frame Material	Rolled Steel
Shaft Type	T	Assembly/Box Mounting	F1 ONLY
Outline Drawing	037627-1100	Connection Drawing	005010.01

This is an uncontrolled document once printed or downloaded and is subject to change without notice. Date Created:06/23/2023



MAXIMUM FACE RUNOUT TO BE .004 T.I.R.
 MAXIMUM PILOT ECCENTRICITY TO BE .004 T.I.R.
 PERMISSIBLE SHAFT RUNOUT TO BE .002 T.I.R.

DASH NO.	"C"	"AD"
900	14.25	7.25
950	14.75	7.75
1000	15.25	8.25
1050	15.75	8.75
1100	16.25	9.25
1150	16.75	9.75
1200	17.25	10.25
1250	17.75	10.75

REVISION		BY & DATE	CHK	ANG	±	FINISH	SIZE	DRAWING NO.	REV.
01 UPDATED PER MT2 CONVERSION		LST 6/4/10					B	037627	01
THIS DRAWING IN DESIGN AND DETAIL IS OUR PROPERTY AND MUST NOT BE USED EXCEPT IN CONNECTION WITH OUR WORK ALL RIGHTS OF DESIGN AND INVENTION ARE RESERVED THIS IS AN ELECTRONICALLY GENERATED DOCUMENT - DO NOT SCALE THIS PRINT			RFP	6/20/05	CAD FILE	037627			
			DIST						



TOLERANCES UNLESS SPECIFIED
 DEC. INCHES
 .X ±.1
 .XX ±.03
 .XXX ±.005
 .XXXX ±.0005
 TITLE OUTLINE- 210TC FRAME DRIP PROOF- "C" FACE
 MAT'L GENERAL PURPOSE

DRAWN RDW 6/20/05
 CHK
 APPD SW 6/20/05
 SCALE 3=8
 REF
 PREV

005010-01

VIEW FROM OUTSIDE OF MOTOR AT SWITCH END.



VOLTAGE	L1	L2	L3	JOIN & INSULATE
HIGH	T1	T2	T3	(T4,T7) (T5,T8) (T6,T9)
LOW	T1,T7	T2,T8	T3,T9	T4,T5,T6

				TOLERANCES UNLESS SPECIFIED		Regal Beloit America, Inc.		DRAWN RDW 04/12/02				
				DEC.	INCHES			CHK				
				.X	±.1			APPD				
				.XX	±.01			SCALE 1=1				
				.XXX	±.005	TITLE		REF FIG.2-51				
A	UPDATED TO REGAL LOGO			SAJ	06/26/15	AJY	.XXXX	±.0005	MAT'L. DECAL - 004014	FMF		
NO.	REVISION			BY & DATE	CHK	ANG	±1/2"		FINISH	PREV		
THIS DRAWING IN DESIGN AND DETAIL IS OUR PROPERTY AND MUST NOT BE USED EXCEPT IN CONNECTION WITH OUR WORK ALL RIGHTS OF DESIGN AND INVENTION ARE RESERVED THIS IS AN ELECTRONICALLY GENERATED DOCUMENT - DO NOT SCALE THIS PRINT				RFP	04/12/02		CAD FILE	00501001		SIZE	DRAWING NO.	REV.
				DIST	BRF-NLV				A	005010-01		A