

PRODUCT INFORMATION PACKET



Model No: EXG131574.00

Catalog No: EXG131574.00

EXG131574.00..5.0/3.0HP..3500/2920RPM.182JM.ODP.208-230/460//190/380V.3PH.60/50HZ.CONT.40C.1.15SF.R
IGID.....

Regal and Leeson are trademarks of Regal Rexnord Corporation or one of its affiliated companies.

©2023 Regal Rexnord Corporation, All Rights Reserved. MC017097E





Nameplate Specifications

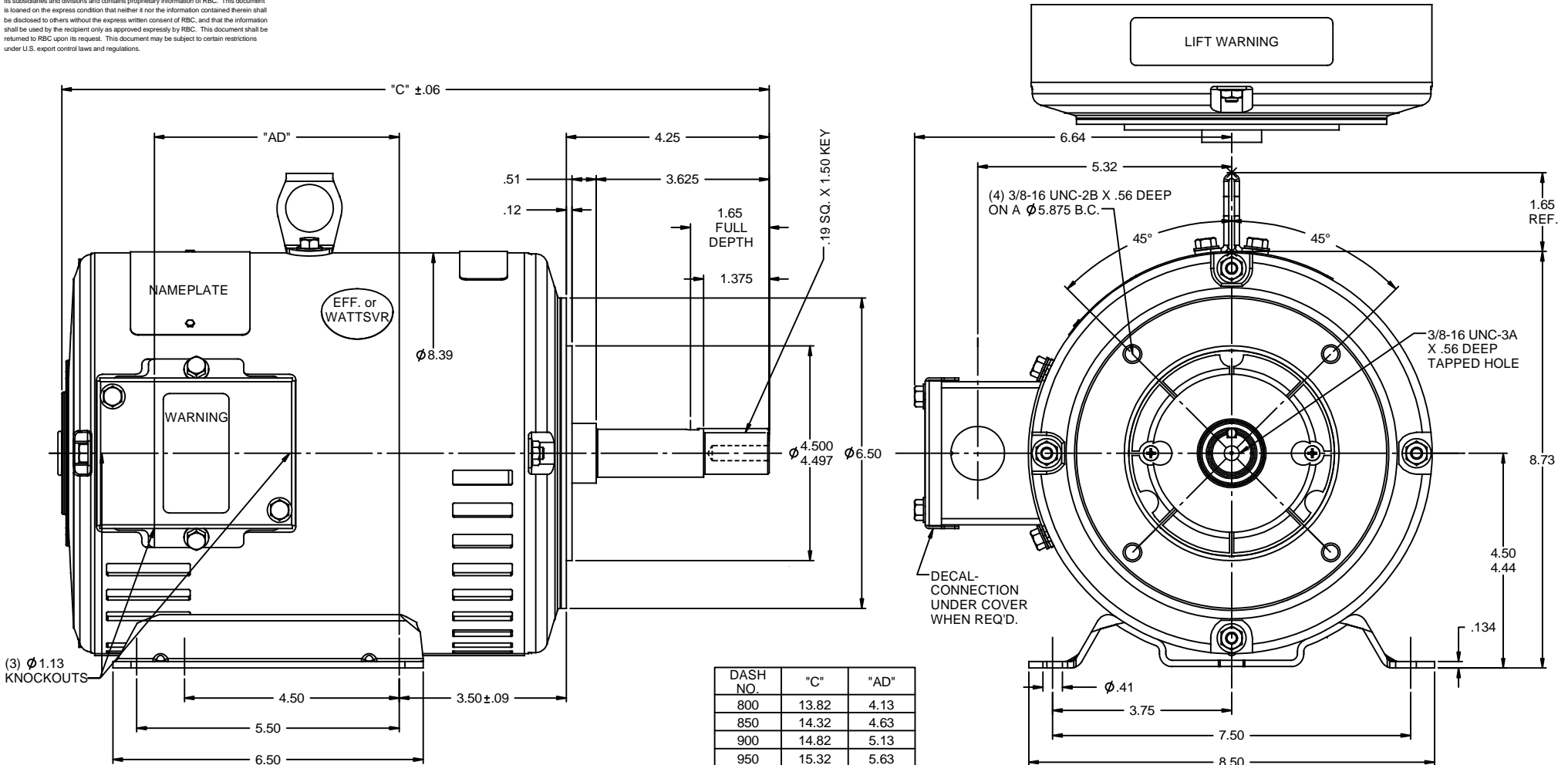
Phase	3	Output HP	5 & 3 Hp
Output KW	3.7 & 2.2 kW	Voltage	208-230/460 & 190/380 V
Speed	3500 & 2920 rpm	Service Factor	1.15 & 1.15
Frame	182JM	Enclosure	Drip Proof
Thermal Protection	No Protection	Efficiency	85.5 %
Ambient Temperature	40 °C	Frequency	60 & 50 Hz
Current	13.2-12.2/6.1 & 9.4/4.7 A	Power Factor	90
Duty	Continuous	Insulation Class	F
Design Code	B	KVA Code	J
Drive End Bearing Size	6207	Opp Drive End Bearing Size	6205
UL	Recognized	CSA	Y
CE	Y	IP Code	22
Number of Speeds	1		

Technical Specifications

Electrical Type	Squirrel Cage Induction Run	Starting Method	Across The Line
Poles	2	Rotation	Reversible
Resistance Main	2.74 Ohms	Mounting	Rigid Base
Motor Orientation	Horizontal	Drive End Bearing	Ball
Opp Drive End Bearing	Ball	Frame Material	Rolled Steel
Shaft Type	JM	Assembly/Box Mounting	F1 ONLY
Outline Drawing	035361-900	Connection Drawing	005010.01

This is an uncontrolled document once printed or downloaded and is subject to change without notice. Date Created:06/22/2023

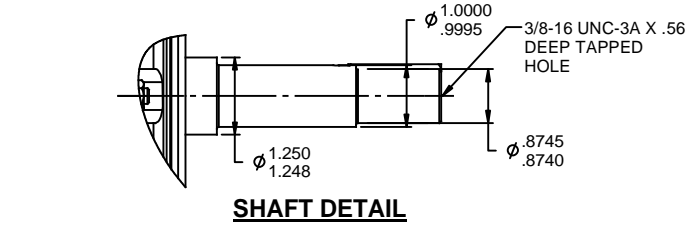
RBC PROPRIETARY AND CONFIDENTIAL INFORMATION
 This document is the property of REGAL BELOIT CORPORATION ("RBC") including its subsidiaries and divisions and contains proprietary information of RBC. This document is loaned on the express condition that neither it nor the information contained therein shall be disclosed to others without the express written consent of RBC, and that the information shall be used by the recipient only as approved expressly by RBC. This document shall be returned to RBC upon its request. This document may be subject to certain restrictions under U.S. export control laws and regulations.



DASH NO.	"C"	"AD"
800	13.82	4.13
850	14.32	4.63
900	14.82	5.13
950	15.32	5.63
1000	15.82	6.13
1050	16.32	6.63
1100	16.82	7.13

MAXIMUM FACE RUNOUT TO BE .004 T.I.R.
 MAXIMUM PILOT ECCENTRICITY TO BE .004 T.I.R.
 PERMISSIBLE SHAFT RUNOUT TO BE .002 T.I.R.

GASKETS THROUGHOUT



REVISION		BY & DATE	CHK	ANG	FINISH	SIZE	DRAWING NO	REV
- UPDATED & REDRAWN IN SOLIDWORKS		LST 12/18/2009	XX	XXX	±.0005			
NO			RFP	±1/2°	PREV	B	035361	-

TOLERANCES UNLESS SPECIFIED		REGAL-BELOIT CORPORATION		DRAWN
DEC	INCHES	REGAL-BELOIT CORPORATION		RSK 9/22/97
X	±.1			CHK RK 9/23/97
XX	±.03	TITLE OUTLINE - 180JM FRAME		APPR RSK 9/23/97
XXX	±.005	DRIP PROOF - JM PUMP MOUNT - 3PH		SCALE 1:2
XXXX	±.0005	MATL		REF 035326
				FMF 131562
				PAGE OF
				REV

005010-01

VIEW FROM OUTSIDE OF MOTOR AT SWITCH END.



VOLTAGE	L1	L2	L3	JOIN & INSULATE
HIGH	T1	T2	T3	(T4,T7) (T5,T8) (T6,T9)
LOW	T1,T7	T2,T8	T3,T9	T4,T5,T6

				TOLERANCES UNLESS SPECIFIED		REGAL ™ Regal Beloit America, Inc.		DRAWN RDW 04/12/02		
				DEC.	INCHES			CHK		
				.X	±.1			APPD		
				.XX	±.01			SCALE 1=1		
				.XXX	±.005	TITLE		EXTERNAL WIRING DIAGRAM		
				.XXXX	±.0005	MAT'L.		DECAL - 004014		
				ANG	±1/2°	FINISH		REF FIG.2-51		
A	UPDATED TO REGAL LOGO			SAJ	06/26/15	AJY	.XXXX	±.0005	FMF	
NO.	REVISION			BY & DATE	CHK	ANG	±1/2°	FINISH	PREV	
THIS DRAWING IN DESIGN AND DETAIL IS OUR PROPERTY AND MUST NOT BE USED EXCEPT IN CONNECTION WITH OUR WORK ALL RIGHTS OF DESIGN AND INVENTION ARE RESERVED THIS IS AN ELECTRONICALLY GENERATED DOCUMENT - DO NOT SCALE THIS PRINT				RFP	04/12/02	CAD FILE	00501001	SIZE	DRAWING NO.	REV.
				DIST	BRF-NLV			A	005010-01	A