

PRODUCT INFORMATION PACKET

Model No: E3TI3006283B30D41100

Catalog No: E3TI3006283B30D41100

Made in Italy TCI Series, General Purpose Low Voltage IEC motor, Safe Area, 45,00 kW, 3 phase,
989 RPM, D400/Y690V 50Hz, 280S Frame B3, 6 Poles, IC411



Regal and CEMP are trademarks of Regal Rexnord Corporation or one of its affiliated companies.

©2022 Regal Rexnord Corporation, All Rights Reserved. MC017097E

Nameplate Specifications

Output HP	60 Hp	Output KW	45.0 kW
Frequency	50 Hz	Voltage	400/690 V
Current	84.1 A	Speed	989 rpm
Service Factor	1	Phase	3
Efficiency	93.7 %	Power Factor	0.82
Duty	S1	Insulation Class	F
Frame	280S	Enclosure	Totally Enclosed Fan Cooled
Thermal Protection	No Protection	Ambient Temperature	40 °C
Drive End Bearing Size	6317	Opp Drive End Bearing Size	6317
UL	No	CSA	No
CE	Yes	IP Code	IP55
Number of Speeds	1	Efficiency Class	IE3

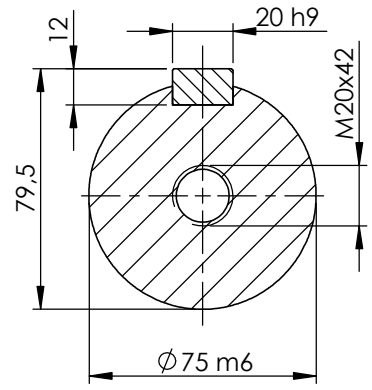
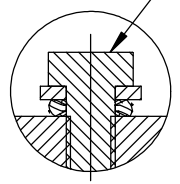
Technical Specifications

Electrical Type	Squirrel Cage	Starting Method	Direct On Line
Poles	6	Rotation	Bi-Directional
Mounting	B3	Motor Orientation	Horizontal
Drive End Bearing	C3	Opp Drive End Bearing	C3
Frame Material	Cast Iron	Shaft Type	Keyed
Overall Length	1060.00 mm	Frame Length	549.00 mm
Shaft Diameter	75.000 mm	Shaft Extension	140 mm
Assembly/Box Mounting	Top		
Outline Drawing	B3A04T8285011A01	Connection Drawing	SC-01-T-1v-1a

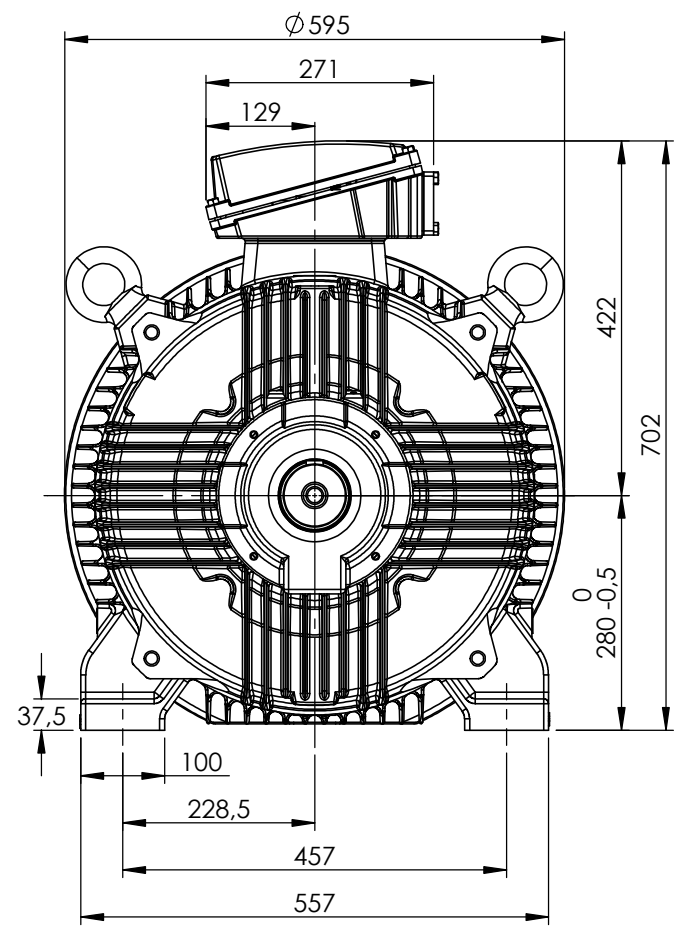
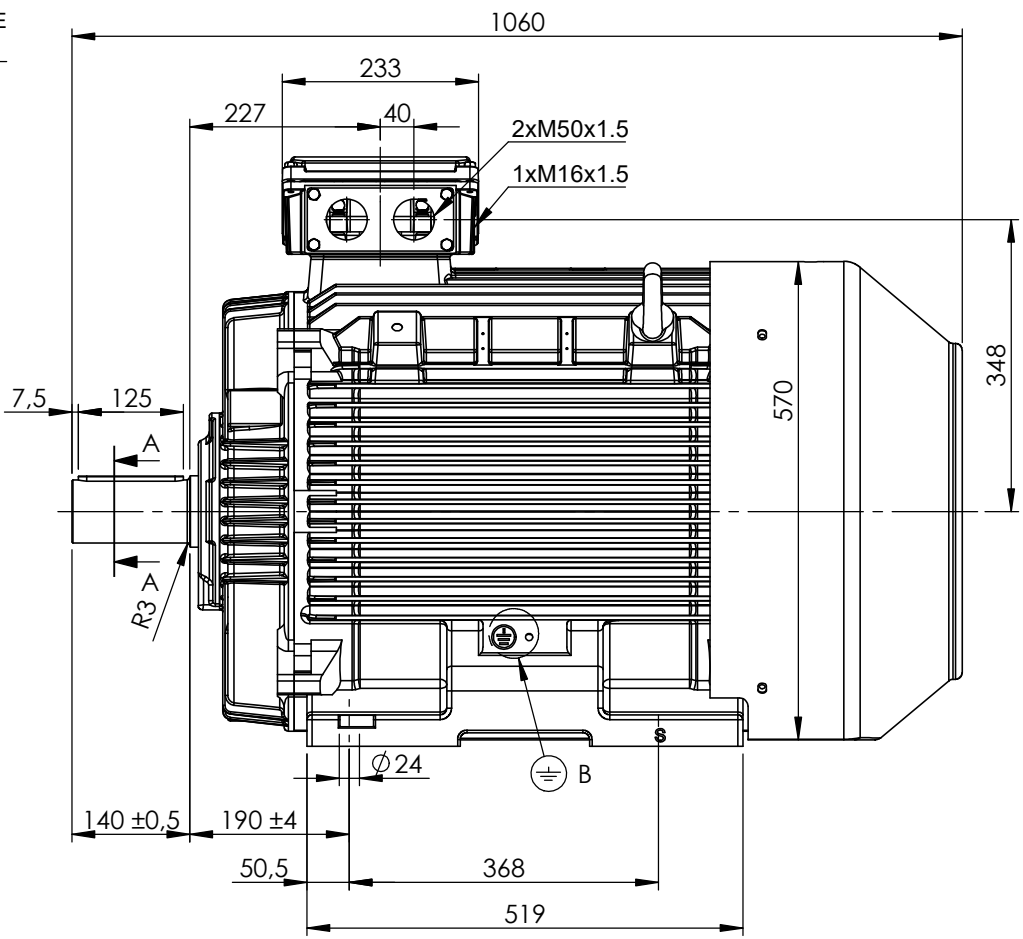
This is an uncontrolled document once printed or downloaded and is subject to change without notice. Date Created:12/02/2022


EARTH TERMINAL
SUITABLE FOR CABLE
SECTION 10-70MM²

DETAIL B



SECTION A-A
SCALE 1 : 2.5



 Earth terminal: 1 in the terminal box, 2 on the frame.

CUSTOMER REFERENCE AND ADDITIONAL INFORMATION:

MOTOR TYPE AND DESCRIPTION:

DRAWING REVISION	REVISION BY	DATE
1	TN	12/05/2022
ECO	APPROVED BY	DATE
	LP	13/05/2022

TOLERANCES (EXCEPT AS NOTED)
TOLERANCES: ±2
* TOLERANCES: ±0.8
DIMENSIONS ARE IN mm
ACCORDING TO IEC 60072

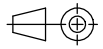
DRAWN BY	TN
DATE	26/11/2021
APPROVED BY	LP
DATE	29/11/2021
REFERENCE	



ECO DESCRIPTION

COPYRIGHT CEMP Srl. ALL RIGHTS RESERVED. PROPRIETARY AND CONFIDENTIAL INFORMATION - THIS DOCUMENT IS THE PROPERTY OF CEMP Srl. ("OWNER") AND CONTAINS OWNER'S PROPRIETARY INFORMATION. ANY PERSON, CORPORATION OR OTHER FIRM RECEIVING IT IS DEEMED, BY RECEIVING IT, TO AGREE THAT IT, AND/OR ANY PART OF IT, SHALL NOT BE DISCLOSED TO ANY PERSON, CORPORATION OR OTHER ENTITY, DUPLICATED, AND/OR USED, EXCEPT AS EXPRESSLY APPROVED IN WRITING IN ADVANCE BY OWNER. THIS DOCUMENT SHALL BE RETURNED TO OWNER UPON REQUEST. IT MAY BE SUBJECT TO CERTAIN RESTRICTIONS UNDER APPLICABLE EXPORT CONTROL LAWS AND REGULATIONS.

DESCRIPTION	Motor 280 4-6P TC (S) B3
-------------	---------------------------------

FIRST ANGLE PROJECTION 

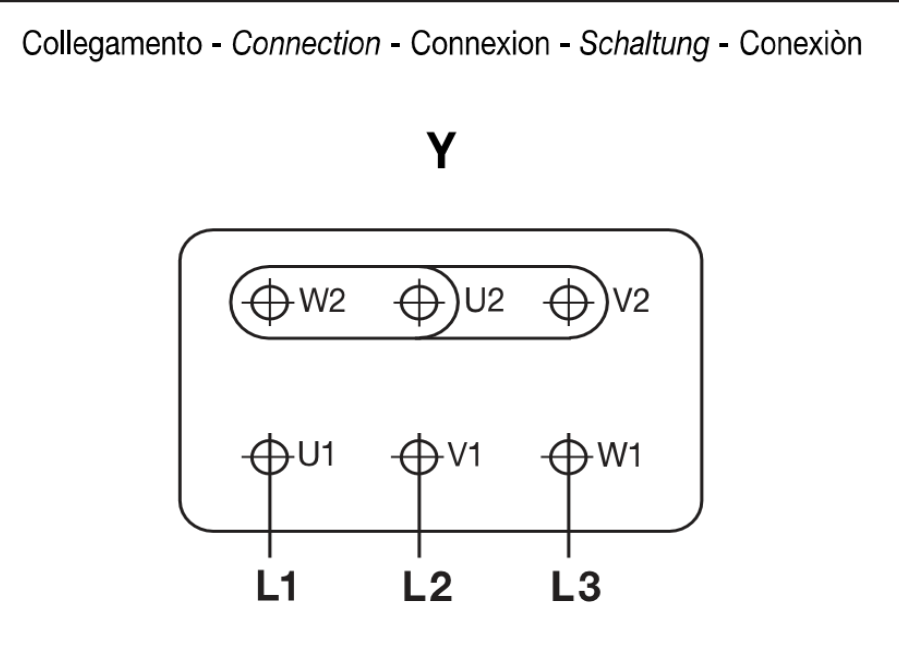
SIZE	DRAWING NUMBER	SHEET
A4	B3A04T8285011A01	1 OF 2

Schema di collegamento - *Connection diagram*
Schemas de branchement - *Schaltplän*
Esquemas de conexión



DTE 01/01/2004
SC - 01 - T - 1v.doc

**Motori trifase una velocità - *Single speed, three phase motors* - Moteurs triphasé une vitesse
Drehstrommotor Eine Drehzahlstufe - Motores trifásico una velocidad**



L1 - L2 - L3 = Linea - *Supply* - Reseau - *Netz* - Red
Per invertire la rotazione invertire due fasi - *To change the rotation reverse two phases* - Pour changer le sens de rotation inverser deux phases - *Zur Drehrichtungsänderung zwei Phasen vertauschen* - Para invertir el sentido de rotación invertir dos fases

Marcatura Morsetti Ausiliari - <i>Additional terminals marking (IEC60034-8)</i>		
Marcatura <i>Marking</i>	No. morsetti <i>terminals</i>	Morsetto ausiliare per: <i>Additional terminal for:</i>
TP1A - TP2A (allarme- <i>warning</i>)	2	Termistori PTC (alta velocità) - <i>Thermistor PTC (high speed) [*]</i>
TP1B - TP2B (allarme- <i>warning</i>)	2	Termistori PTC (bassa velocità) - <i>Thermistor PTC (low speed) [*]</i>
R1 - R2 - R3 (I sensore - <i>sensor</i>)	3	
R4 - R5 - R6 (II sensore - <i>sensor</i>)	3	Termistore PT100 3 fili - <i>Thermistor PT 100 with 3 wires</i>
R7 - R8 - R9 (III sensore - <i>sensor</i>)	3	
R11 - R12 - R13 (anteriore - <i>DE</i>)	3	
R21 - R22 - R23 (posteriore - <i>NDE</i>)	3	Termistore PT100 su cuscinetto - <i>Thermistor PT 100 on bearing</i>
TB1 - TB2 (allarme- <i>warning</i>)	2	Protettore bimetallico normalmente chiuso -
TB3 - TB4 (intervento- <i>switch off</i>)	2	<i>Normally closed bi-metallic switch (**)</i>
TB8 - TB9 (intervento- <i>switch off</i>)	2	Protettore bimetallico del freno normalmente chiuso -
		<i>NC brake bi-metallic switch (**)</i>
TM1 - TM2 (allarme- <i>warning</i>)	2	Protettore bimetallico normalmente aperto -
TM3 - TM4 (intervento- <i>switch off</i>)	2	<i>Normally open bi-metallic switch (**)</i>
HE1- HE2	2	Resistenze riscaldanti - <i>Space heaters</i>
U1 - U2	2	Ventilazione ausiliaria monofase - <i>Single phase forced ventilation</i>
U - V - W	2	Ventilazione ausiliaria trifase - <i>Three phase forced ventilation</i>
colori secondo schema del produttore - <i>colours according manufacturer</i>	9	Encoder
CA1 - CA2	2	Condensatore - <i>Capacitor</i>
PE	1	Conduttore di terra - <i>Earth cable</i>

[*] U nominale - *U rated* = 6V - max 30V(**) U nominale - *U rated* = 250V


 FOGLIO DATI PER MOTORI ELETTRICI ASINCRONI TRIFASI : SERIE IEC
 DATA SHEET FOR ASYNCHRONOUS THREEPHASE INDUCTION MOTORS: IEC SERIES

Cliente / Customer	-
Ordine cliente / Customer order	-
Item	-

Conferma ordine / Acknowledgment	N° -
Impianto / Plant	-

DATI DI PROGETTO - DESIGN DATA

Modo di protezione		Motore / Frame
Type of protection		Scatola morsetti / Terminal box
Tem. Amb. Min. / Min Amb. Temp.	-20 °C	
Umidità relativa / Relative humidity	90%	
Tensione nominale / Rated Voltage	400 V +/- 10%	

	IP55
	IP55
Tem. Amb. Max. / Max Amb. Temp.	40 °C
Altitudine / Altitude	< 1000 mslm / masl
Frequenza / Frequency	50 Hz +/- 3%

DATI FUNZIONALI E COSTRUTTIVI - PERFORMANCE AND CONSTRUCTION DATA

1	Quantità / Quantity		-
2	Motore tipo / Motor type		TCI 280S6
3	Numero di serie / Serial Number		
4	Forma costruttiva / Shape		B3
5			
6			
Dati nominali / Rated data			
7	Poli / Pole	n°	6
8	Potenza nominale / Rated power	kW	45,00
9	Corrente nominale / Rated current	A	84,10
10	Velocità nominale / Full Load speed	1/min	989
11	Collegamento / Winding connection		D
12	Isolamento / Insulation class		F
13	Sovratemperatura / Temperature rise		DT80K
14	Raffreddamento / Cooling type		IC411
15	Fattore di servizio / Service factor		1
16			
17	Classe di rendimento / Efficiency level	IEC 34-30	IE3
Performances elettriche / Electrical performances			
	Carico / Load	4/4	3/4
		2/4	
18	Giri / Speed	1/min	989
			992
			995
19	Corr. / Curr.	A	84,10
			67,57
			52,74
20	Rend / Eff	%	93,7
			93,8
			92,9
21	cos φ	-	0,83
			0,77
			0,66
Performances all'avviamento / Starting performances			
22	Ia/In - LRC/FLC	%	600
23	Cosφi a rotore bloccato / LR power factor		0,34
	Tempo a rotore bloccato / LRWT		
24	100% Un (A caldo / Warm)	sec	9
25	(A freddo / Cold)	sec	26
26	80% Un (A caldo / Warm)	sec	14
27	(A freddo / Cold)	sec	40
	Tempo di avviamento ammissibile / ART		
28	100% Un	sec	22
29	80% Un	sec	35
Curva di coppia / Speed-torque values			
30	Coppia nominale / Rated Torque	Nm	434,50
31	Ca/Cn - LRT/FLT	%	170
32	Cmax/Cn - BDT/FLT	%	250
33			
34			
35			
Varie / Other			
36			
37			
38			
39			

Servizio / Duty		
40	Servizio / Duty type	- S1
41	Intermittenza / Cyclic duration factor	-
42	Avviamenti-ora / Starting-hour	-
43	Tempo ciclo / Time	-
Cuscinetti / Bearings		
44	Cuscinetto ant / DE bearing	- 6317 C3
45	Cuscinetto post / NDE bearing	- 6317 C3
46	Carico radiale max / Max radial load in X1	N 6506
47	Carico assiale max / Max axial load	N 4655
48	Tipo grasso / Grease type	LGHP2 SKF or equivalent
49	Intervallo lubrificazione / Lubrication	h 7000
50	Quantità grasso / Quantity grease	gr 38
Caratteristiche meccaniche / mechanical specification		
51	Massa / Mass	kg 599
52	Momento d'inerzia / Moment of inertia	kgm2 2,1714
53	Rumore a vuoto / Noise at no load (1 m)	Lp dB(A) 72
54	Vibrazioni / Vibration level	IEC 34-14 A
55	Limite norma / Vibration limit	mm/sec 2,20
56		
57		
58		
59		
60		
61		
62		
Dati entrata cavi - verniciatura / Cable entry and painting		
63	Entrata cavi / Cable entry	IEC 60423 2xM50+1xM16
64	Ciclo verniciatura / Painting cycle	STD
65	Colore finale / Final colour	RAL 5010
66		
67		
68		
69		
70		
71		
Ausiliari - Auxiliaries		
72	Sonde termiche / Temperature detector	winding PTC
73	Sonde termiche / Temperature detector	bearing -
74	Scaldiglie / Heaters	V / W -
75	Preparation for SPM sensor	-
76	Pressacavi / Cable glands	-
77		

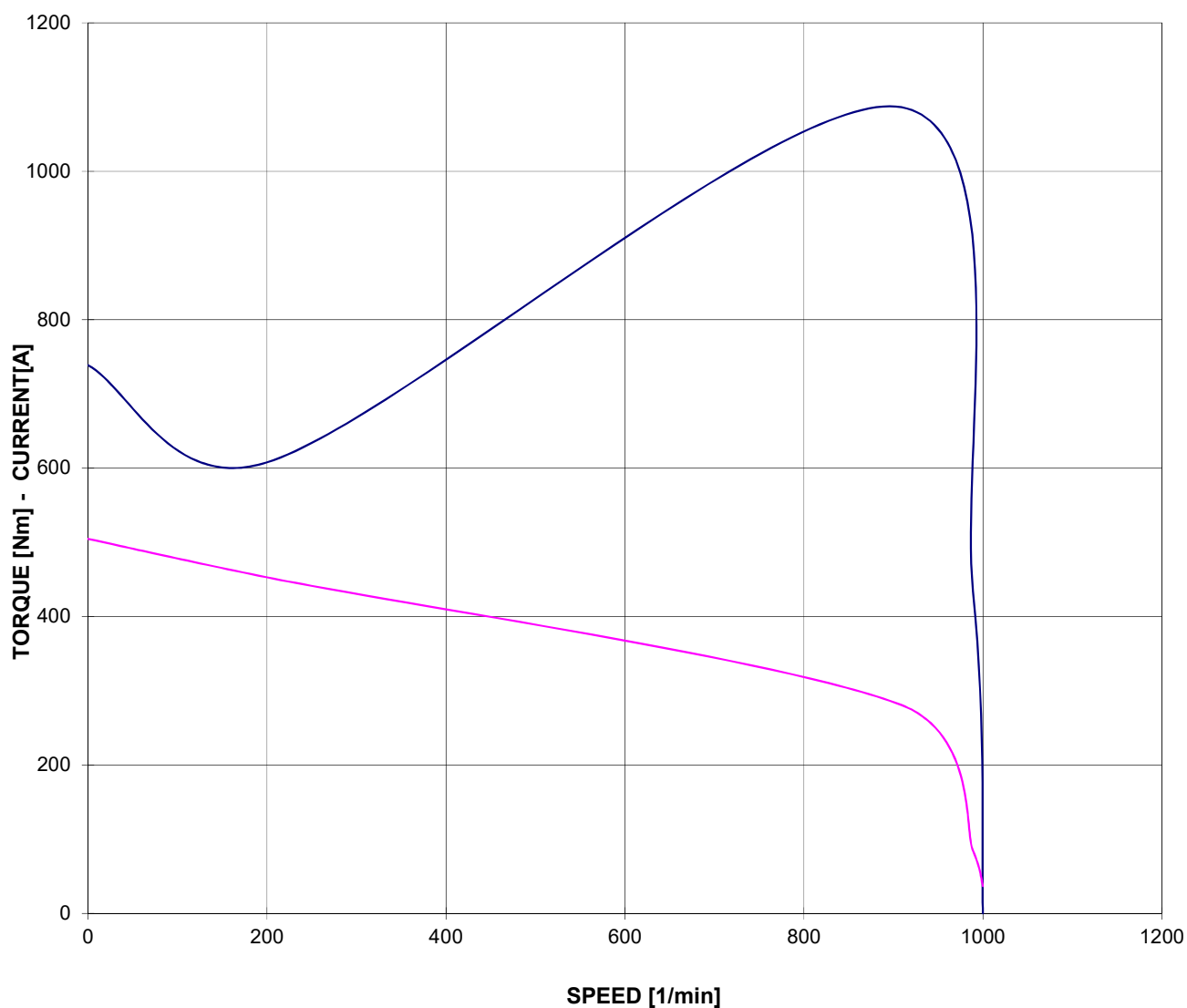
Documento preliminare - Preliminary data sheet

CURVA COPPIA/CORRENTE-GIRI TORQUE/CURRENT-SPEED DIAGRAM

Cliente / Customer -
 Ordine cliente / Customer order -
 Impianto / Plant -
ITEM -
 Conferma ordine / Acknowledgment -
 Numero di serie / Serial Number -

Motore / Motor	TCI 280S6	
Potenza nominale / Rated power	45,00	kW
Poli / Pole	6	
Tensione - Frequenza / Voltage - Frequency	400 - 50	V - Hz
Corrente / Rated current	84,10	A
Velocità / Speed	989	rpm
Coppia / Torque	434,50	Nm

— COPPIA - TORQUE — CORRENTE - CURRENT



Valori calcolati - Data obtained by calculation method
 Documento preliminare - Preliminary document

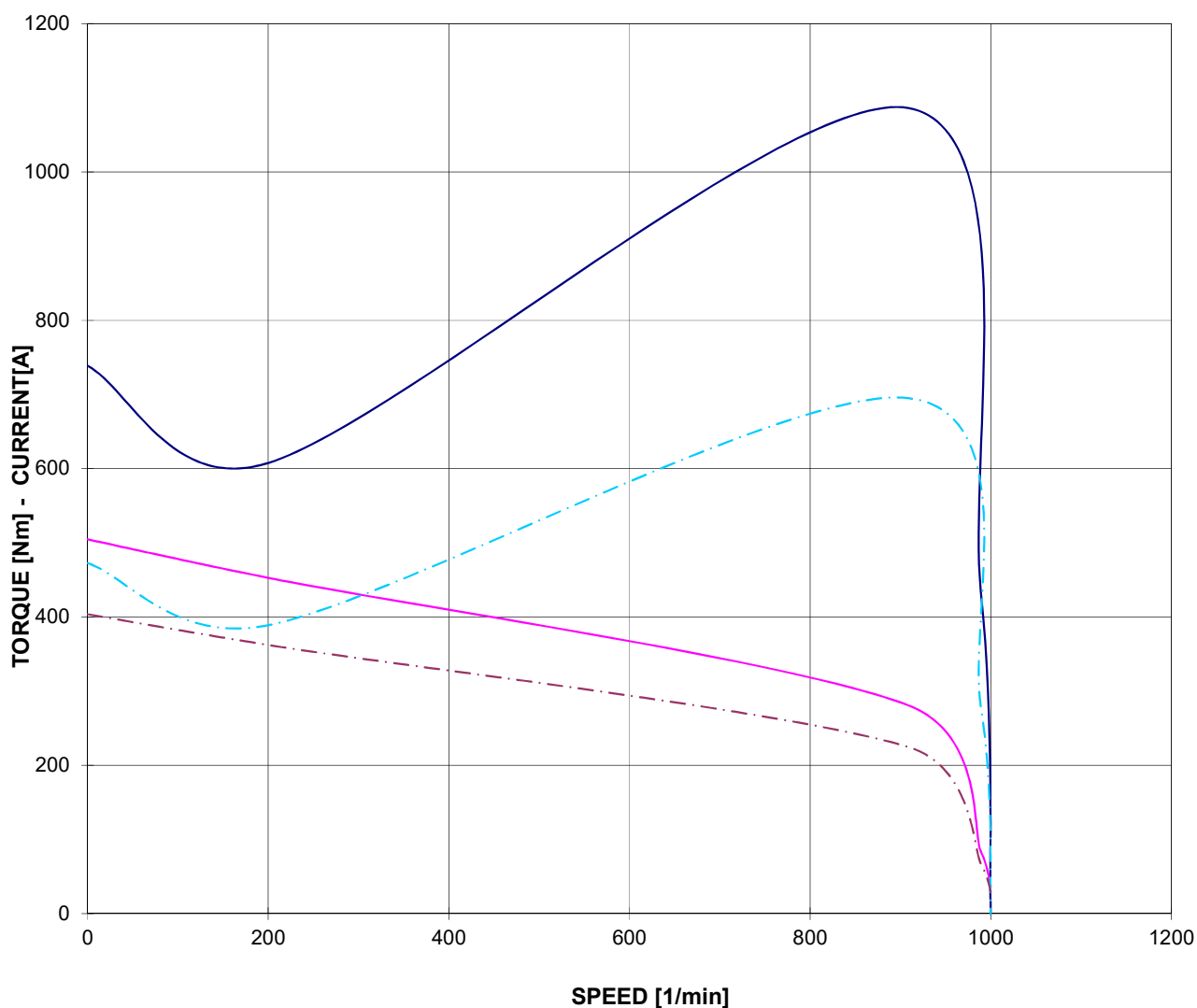
Data / Date 01-feb-21

CURVA COPPIA/CORRENTE-GIRI (Tensione ridotta) TORQUE/CURRENT-SPEED DIAGRAM (Reduced voltage)

Cliente / Customer -
 Ordine cliente / Customer order -
 Impianto / Plant -
ITEM -
 Conferma ordine / Acknowledgment -
 Numero di serie / Serial Number -

Motore / Motor	TCI 280S6	
Potenza nominale / Rated power	45,00	kW
Poli / Pole	6	
Tensione - Frequenza / Voltage - Frequency	400 - 50	V - Hz
Corrente / Rated current	84,10	A
Velocità / Speed	989	rpm
Coppia / Torque	434,50	Nm

— COPPIA - TORQUE — CORRENTE - CURRENT
 - - - COPPIA - TORQUE 80% Un - - - CORRENTE - CURRENT 80% Un



Valori calcolati - Data obtained by calculation method
 Documento preliminare - Preliminary document

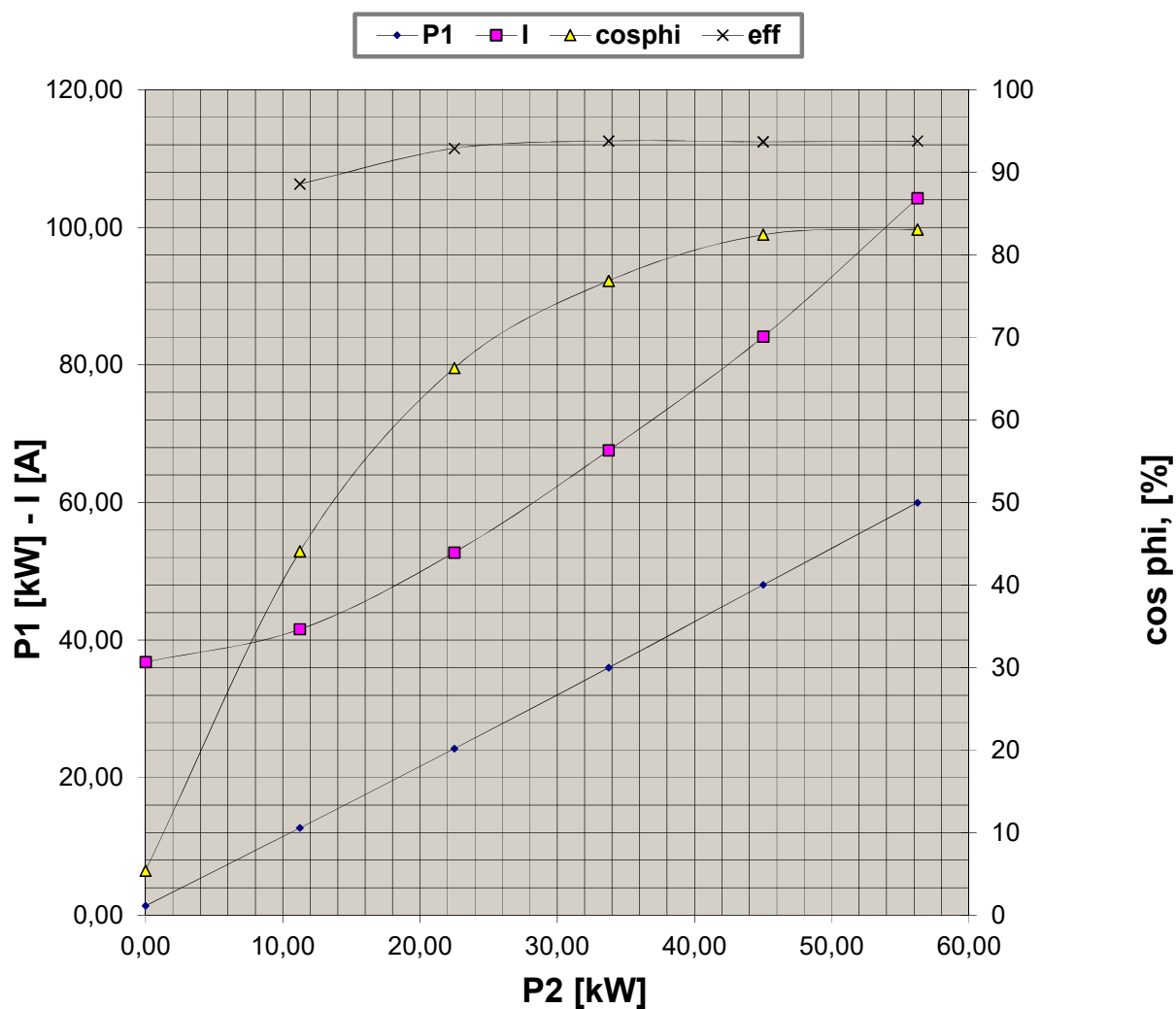
Data / Date 01-feb-21

CURVE CARATTERISTICHE PERFORMANCE CURVES

Cliente / Customer -
Ordine cliente / Customer order -
Impianto / Plant -
ITEM -

Conferma ordine / Acknowledgment -
Numero di serie / Serial Number -

Motore / Motor	TCI 280S6	
Potenza nominale / Rated power	45,00	kW
Poli / Pole	6	
Tensione - Frequenza / Voltage - Frequency	400 - 50	V - Hz
Corrente / Rated current	84,10	A
Velocità / Speed	989	rpm
Coppia / Torque	434,50	Nm



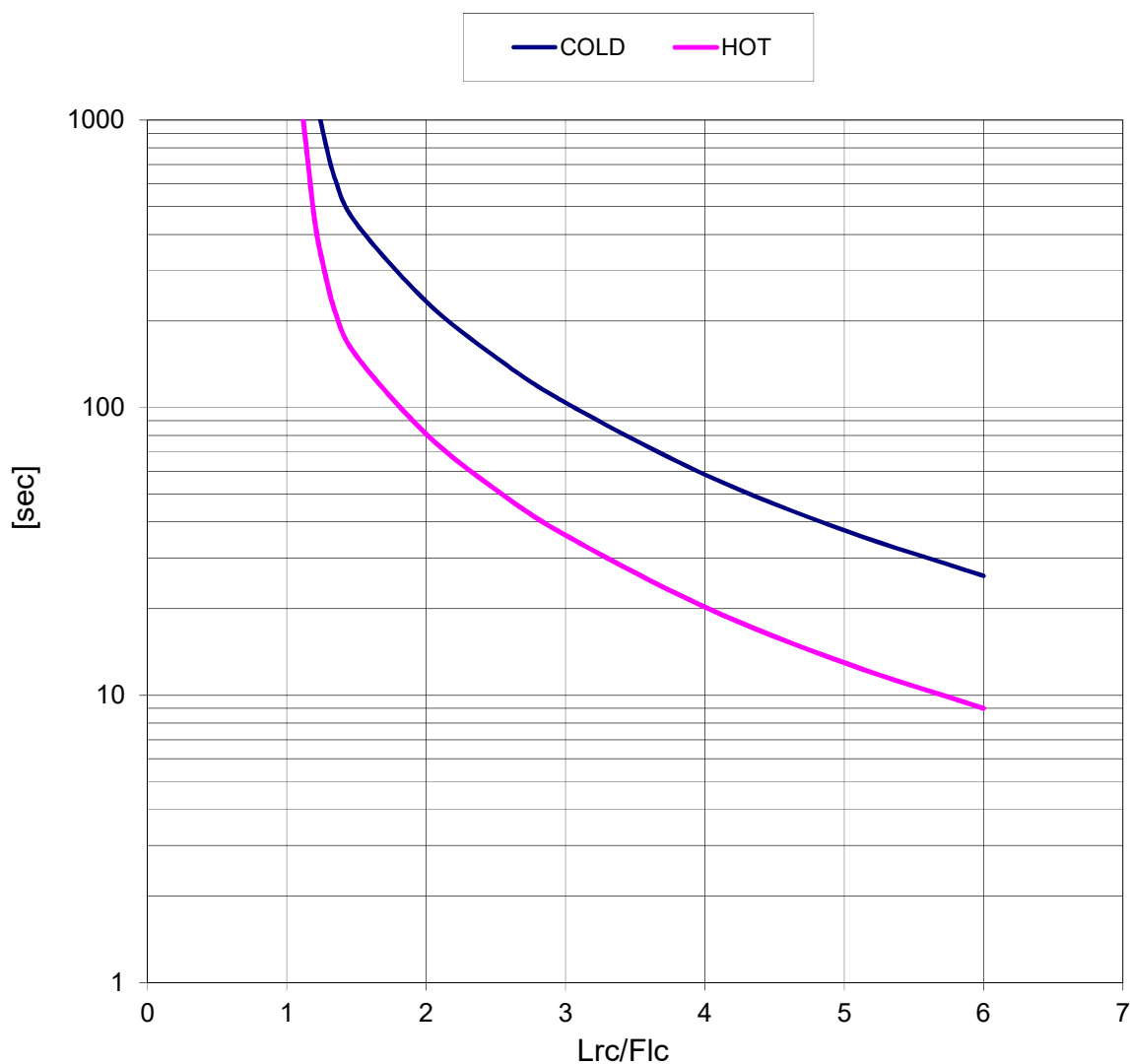
Valori calcolati - Data obtained by calculation method
Documento preliminare - Preliminary document

Data / Date 01-feb-21

CURVA LIMITE CORRENTE TEMPO THERMAL WITHSTAND CURVE

Cliente / Customer -
 Ordine cliente / Customer order -
 Impianto / Plant -
ITEM -
 Conferma ordine / Acknowledgment -
 Numero di serie / Serial Number -

Motore / Motor	TCI 280S6	
Potenza nominale / Rated power	45,00	kW
Poli / Pole	6	
Tensione - Frequenza / Voltage - Frequency	400 - 50	V - Hz
Corrente / Rated current	84,10	A
Velocità / Speed	989	rpm
Coppia / Torque	434,50	Nm



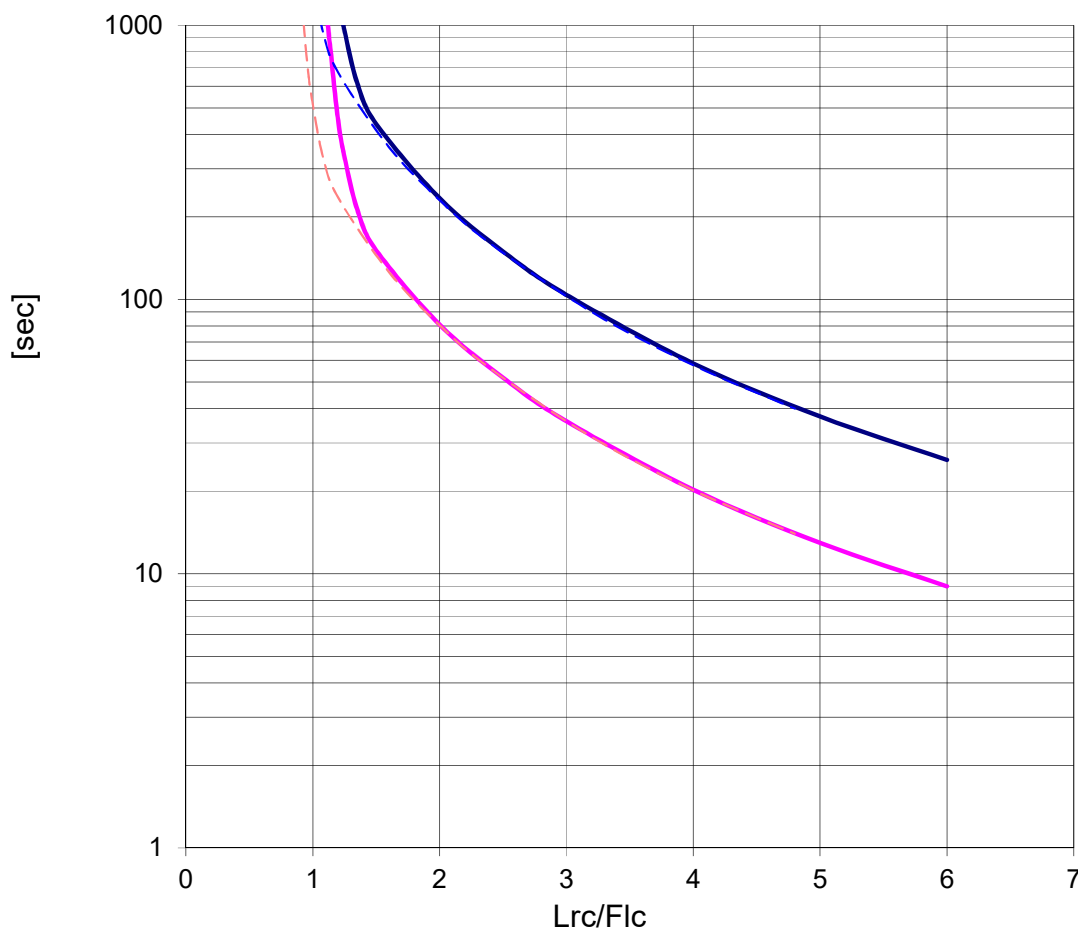
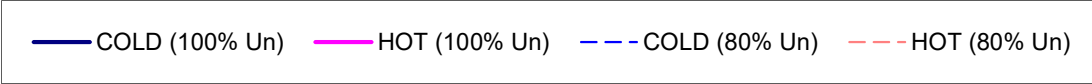


Flameproof
Motors

CURVA LIMITE CORRENTE TEMPO (Tensione ridotta)
THERMAL WITHSTAND CURVE (Reduced voltage)

Cliente / Customer -
Ordine cliente / Customer order -
Impianto / Plant -
ITEM -
Conferma ordine / Acknowledgment -
Numero di serie / Serial Number -

Motore / Motor	TCI 280S6	
Potenza nominale / Rated power	45,00	kW
Poli / Pole	6	
Tensione - Frequenza / Voltage - Frequency	400 - 50	V - Hz
Corrente / Rated current	84,10	A
Velocità / Speed	989	rpm
Coppia / Torque	434,50	Nm



Valori calcolati - Data obtained by calculation method
Documento preliminare - Preliminary document

Data / Date 01-feb-21