

PRODUCT INFORMATION PACKET

Model No: E3TI3002283B30D41100

Catalog No: E3TI3002283B30D41100

Made in Italy TCI Series, General Purpose Low Voltage IEC motor, Safe Area, 75,00 kW, 3 phase,
2982 RPM, D400/Y690V 50Hz, 280S Frame B3, 2 Poles, IC411



Regal and CEMP are trademarks of Regal Rexnord Corporation or one of its affiliated companies.

©2022 Regal Rexnord Corporation, All Rights Reserved. MC017097E

Nameplate Specifications

Output HP	100 Hp	Output KW	75.0 kW
Frequency	50 Hz	Voltage	400/690 V
Current	126.5 A	Speed	2982 rpm
Service Factor	1	Phase	3
Efficiency	94.8 %	Power Factor	0.9
Duty	S1	Insulation Class	F
Frame	280S	Enclosure	Totally Enclosed Fan Cooled
Thermal Protection	No Protection	Ambient Temperature	40 °C
Drive End Bearing Size	6314	Opp Drive End Bearing Size	6314
UL	No	CSA	No
CE	Yes	IP Code	IP55
Number of Speeds	1	Efficiency Class	IE3

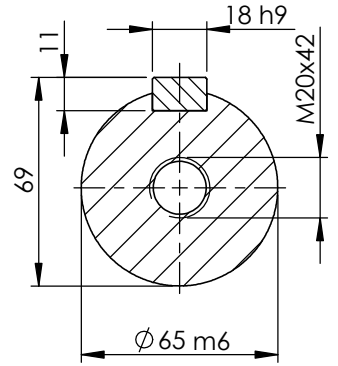
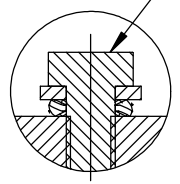
Technical Specifications

Electrical Type	Squirrel Cage	Starting Method	Direct On Line
Poles	2	Rotation	Bi-Directional
Mounting	B3	Motor Orientation	Horizontal
Drive End Bearing	C3	Opp Drive End Bearing	C3
Frame Material	Cast Iron	Shaft Type	Keyed
Overall Length	1060.00 mm	Frame Length	549.00 mm
Shaft Diameter	65.000 mm	Shaft Extension	140 mm
Assembly/Box Mounting	Top		
Connection Drawing	SC-01-T-1v-1a	Outline Drawing	B3A04T8285001A01

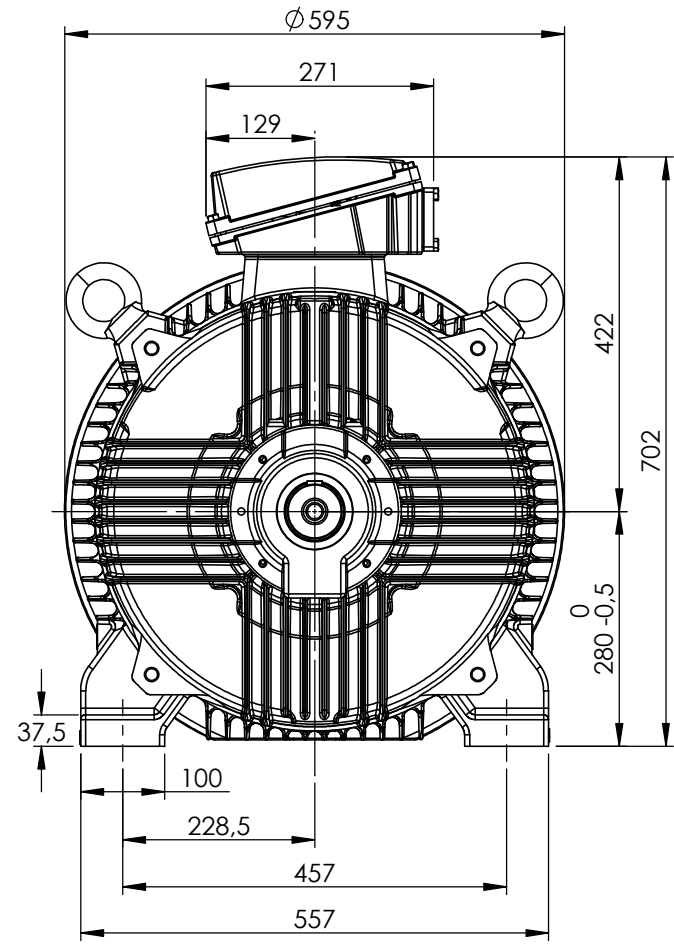
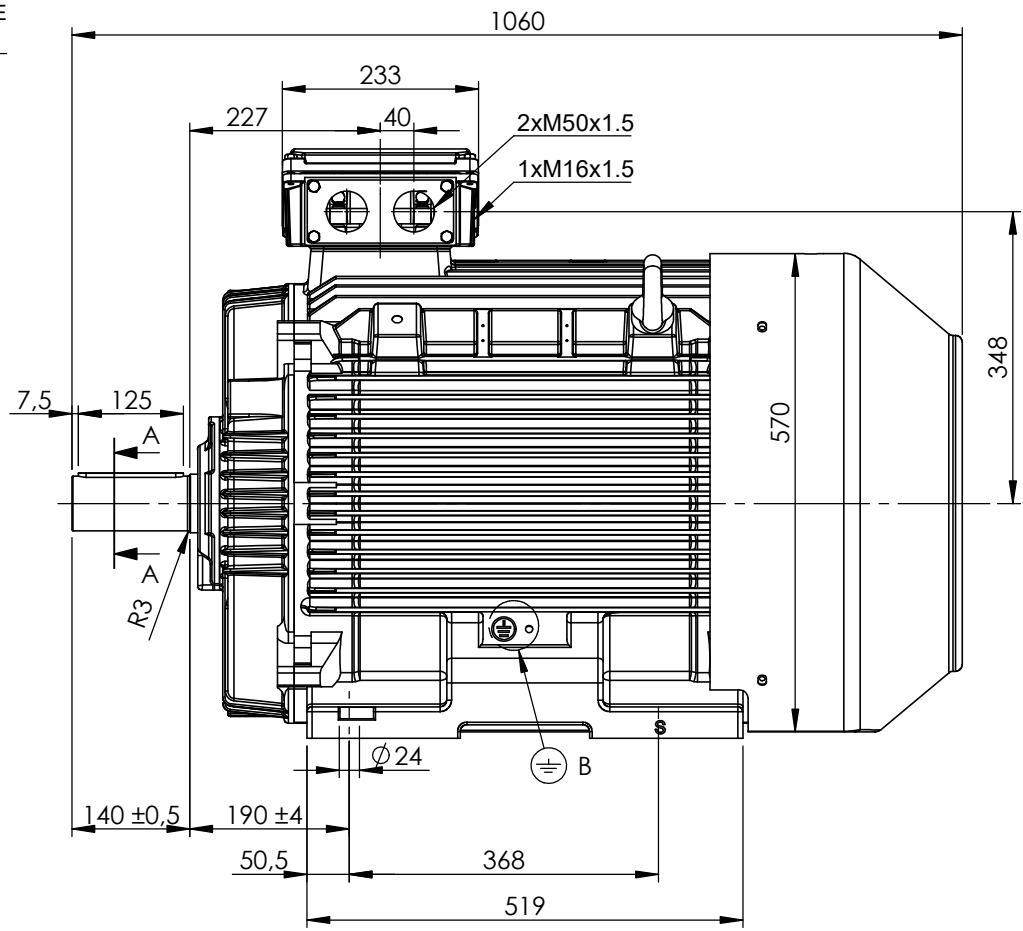
This is an uncontrolled document once printed or downloaded and is subject to change without notice. Date Created:12/02/2022


EARTH TERMINAL
SUITABLE FOR CABLE
SECTION 10-70MM²

DETAIL B



SECTION A-A
SCALE 1 : 2.5



 Earth terminal: 1 in the terminal box, 2 on the frame.

CUSTOMER REFERENCE AND ADDITIONAL INFORMATION:

MOTOR TYPE AND DESCRIPTION:

DRAWING REVISION 1	REVISION BY TN	DATE 12/05/2022
ECO	APPROVED BY LP	DATE 13/05/2022

TOLERANCES (EXCEPT AS NOTED)
TOLERANCES: ±2
* TOLERANCES: ±0.8
DIMENSIONS ARE IN mm
ACCORDING TO IEC 60072

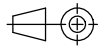
DRAWN BY TN
DATE 26/11/2021
APPROVED BY LP
DATE 29/11/2021
REFERENCE



DESCRIPTION
Motor 280 2P TC (S) B3

COPYRIGHT CEMP Srl. ALL RIGHTS RESERVED.
PROPRIETARY AND CONFIDENTIAL INFORMATION - THIS DOCUMENT IS THE
PROPERTY OF CEMP Srl. ("OWNER") AND CONTAINS OWNER'S PROPRIETARY
INFORMATION. ANY PERSON, CORPORATION OR OTHER FIRM RECEIVING IT IS DEEMED,
BY RECEIVING IT, TO AGREE THAT IT, AND/OR ANY PART OF IT, SHALL NOT BE DISCLOSED
TO ANY PERSON, CORPORATION OR OTHER ENTITY, DUPLICATED, AND/OR USED, EXCEPT
AS EXPRESSLY APPROVED IN WRITING IN ADVANCE BY OWNER. THIS DOCUMENT SHALL
BE RETURNED TO OWNER UPON REQUEST. IT MAY BE SUBJECT TO CERTAIN
RESTRICTIONS UNDER APPLICABLE EXPORT CONTROL LAWS AND REGULATIONS.

SERIAL NUMBER

FIRST ANGLE
PROJECTION 

SIZE
A4

DRAWING NUMBER
B3A04T8285001A01

SHEET
1 OF 2

Schema di collegamento - *Connection diagram*
Schemas de branchement - *Schaltplän*
Esquemas de conexión



DTE 01/01/2004
SC - 01 - T - 1v.doc

**Motori trifase una velocità - *Single speed, three phase motors* - Moteurs triphasé une vitesse
Drehstrommotor Eine Drehzahlstufe - Motores trifásico una velocidad**



L1 - L2 - L3 = Linea - *Supply* - Reseau - *Netz* - Red
Per invertire la rotazione invertire due fasi - *To change the rotation reverse two phases* - Pour changer le sens de rotation inverser deux phases - *Zur Drehrichtungsänderung zwei Phasen vertauschen* - Para invertir el sentido de rotación invertir dos fases

Marcatura Morsetti Ausiliari - <i>Additional terminals marking (IEC60034-8)</i>		
Marcatura <i>Marking</i>	No. morsetti <i>terminals</i>	Morsetto ausiliare per: <i>Additional terminal for:</i>
TP1A - TP2A (allarme- <i>warning</i>)	2	Termistori PTC (alta velocità) - <i>Thermistor PTC (high speed) [*]</i>
TP1B - TP2B (allarme- <i>warning</i>)	2	Termistori PTC (bassa velocità) - <i>Thermistor PTC (low speed) [*]</i>
R1 - R2 - R3 (I sensore - <i>sensor</i>)	3	Termistore PT100 3 fili - <i>Thermistor PT 100 with 3 wires</i>
R4 - R5 - R6 (II sensore - <i>sensor</i>)	3	
R7 - R8 - R9 (III sensore - <i>sensor</i>)	3	
R11 - R12 - R13 (anteriore - <i>DE</i>)	3	Termistore PT100 su cuscinetto - <i>Thermistor PT 100 on bearing</i>
R21 - R22 - R23 (posteriore - <i>NDE</i>)	3	
TB1 - TB2 (allarme- <i>warning</i>)	2	Protettore bimetallico normalmente chiuso - <i>Normally closed bi-metallic switch (**)</i>
TB3 - TB4 (intervento- <i>switch off</i>)	2	
TB8 - TB9 (intervento- <i>switch off</i>)	2	Protettore bimetallico del freno normalmente chiuso - <i>NC brake bi-metallic switch (**)</i>
TM1 - TM2 (allarme- <i>warning</i>)	2	Protettore bimetallico normalmente aperto - <i>Normally open bi-metallic switch (**)</i>
TM3 - TM4 (intervento- <i>switch off</i>)	2	
HE1- HE2	2	Resistenze riscaldanti - <i>Space heaters</i>
U1 - U2	2	Ventilazione ausiliaria monofase - <i>Single phase forced ventilation</i>
U - V - W	2	Ventilazione ausiliaria trifase - <i>Three phase forced ventilation</i>
colori secondo schema del produttore - <i>colours according manufacturer</i>	9	Encoder
CA1 - CA2	2	Condensatore - <i>Capacitor</i>
PE	1	Conduttore di terra - <i>Earth cable</i>

[*] U nominale - *U rated* = 6V - max 30V(**) U nominale - *U rated* = 250V



Flameproof
Motors

FOGLIO DATI PER MOTORI ELETTRICI ASINCRONI TRIFASI : SERIE IEC
DATA SHEET FOR ASYNCHRONOUS THREEPHASE INDUCTION MOTORS: IEC SERIES

Cliente / Customer	-
Ordine cliente / Customer order	-
Item	-

Conferma ordine / Acknowledgment	N° -
Impianto / Plant	0

DATI DI PROGETTO - DESIGN DATA

Modo di protezione		Motore / Frame
Type of protection		Scatola morsetti / Terminal box
Tem. Amb. Min. / Min Amb. Temp.	-20 °C	
Umidità relativa / Relative humidity	90%	
Tensione nominale / Rated Voltage	400 V +/- 10%	

	IP55
	IP55
Tem. Amb. Max. / Max Amb. Temp.	40 °C
Altitudine / Altitude	< 1000 mslm / masl
Frequenza / Frequency	50 Hz +/- 3%

DATI FUNZIONALI E COSTRUTTIVI - PERFORMANCE AND CONSTRUCTION DATA

1	Quantità / Quantity		01
2	Motore tipo / Motor type		TCI 280S2
3	Numero di serie / Serial Number		
4	Forma costruttiva / Shape		B3
5			
6			
Dati nominali / Rated data			
7	Poli / Pole	n°	2
8	Potenza nominale / Rated power	kW	75,00
9	Corrente nominale / Rated current	A	126,47
10	Velocità nominale / Full Load speed	1/min	2982
11	Collegamento / Winding connection		D
12	Isolamento / Insulation class		F
13	Sovratemperatura / Temperature rise		DT80K
14	Raffreddamento / Cooling type		IC411
15	Fattore di servizio / Service factor		1
16			
17	Classe di rendimento / Efficiency level	IEC 34-30	IE3
Performances elettriche / Electrical performances			
Carico / Load		4/4	3/4
18	Giri / Speed	1/min	2982
19	Corr. / Curr.	A	126,47
20	Rend / Eff	%	94,8
21	cos φ	-	0,90
Performances all'avviamento / Starting performances			
22	Ia/In - LRC/FLC	%	750
23	Cosphi a rotore bloccato / LR power factor		0,35
Tempo a rotore bloccato / LRWT			
24	100% Un (A caldo / Warm)	sec	9
25	(A freddo / Cold)	sec	31
26	80% Un (A caldo / Warm)	sec	14
27	(A freddo / Cold)	sec	49
Tempo di avviamento ammissibile / ART			
28	100% Un	sec	27
29	80% Un	sec	43
Curva di coppia / Speed-torque values			
30	Coppia nominale / Rated Torque	Nm	240,19
31	Ca/Cn - LRT/FLT	%	175
32	Cmax/Cn - BDT/FLT	%	325
33			
34			
35			
Varie / Other			
36			
37			
38			
39			

Servizio / Duty			
40	Servizio / Duty type	-	S1
41	Intermittenza / Cyclic duration factor	-	-
42	Avviamenti-ora / Starting-hour	-	-
43	Tempo ciclo / Time		-
Cuscinetti / Bearings			
44	Cuscinetto ant / DE bearing	-	6314 C3
45	Cuscinetto post / NDE bearing	-	6314 C3
46	Carico radiale max / Max radial load in X1	N	4780
47	Carico assiale max / Max axial load	N	3277
48	Tipo grasso / Grease type		LGHP2 SKF or equivalent
49	Intervallo lubrificazione / Lubrication	h	1000
50	Quantità grasso / Quantity grease	gr	26
Caratteristiche meccaniche / mechanical specification			
51	Massa / Mass	kg	698
52	Momento d'inerzia / Moment of inertia	kgm2	1,0851
53	Rumore a vuoto / Noise at no load (1 m)	Lp dB(A)	79
54	Vibrazioni / Vibration level	IEC 34-14	A
55	Limite norma / Vibration limit	mm/sec	2,20
56			
57			
Dati entrata cavi - verniciatura / Cable entry and painting			
63	Entrata cavi / Cable entry	IEC 60423	2xM50+1xM16
64	Ciclo verniciatura / Painting cycle		STD
65	Colore finale / Final colour	RAL	5010
66			
67			
68			
69			
70			
71			
Ausiliari - Auxiliaries			
72	Sonde termiche / Temperature detector	winding	PTC
73	Sonde termiche / Temperature detector	bearing	-
74	Scaldiglie / Heaters	V / W	-
75	Preparation for SPM sensor		-
76	Pressacavi / Cable glands		-
77			

Documento preliminare - Preliminary data sheet

Prepared by : RP

Tolleranze secondo - Tolerances according IEC 60034-1

Rev. 0

Data / Date 1 February 2021

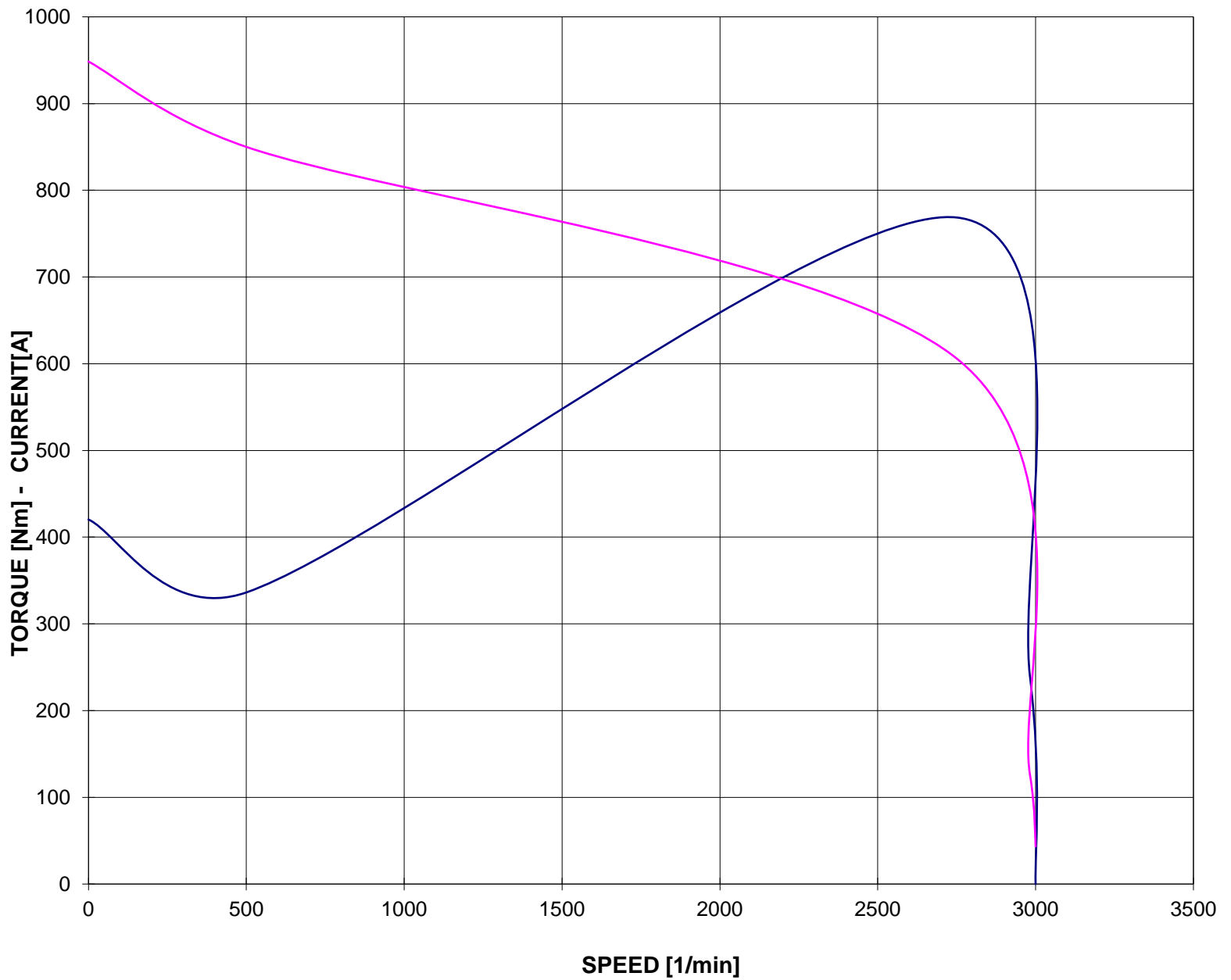


CURVA COPPIA/CORRENTE-GIRI TORQUE/CURRENT-SPEED DIAGRAM

Cliente / Customer -
 Ordine cliente / Customer order -
 Impianto / Plant -
ITEM -
 Conferma ordine / Acknowledgment -
 Numero di serie / Serial Number -

Motore / Motor	TCI 250MA2	
Potenza nominale / Rated power	75,00	kW
Poli / Pole	2	
Tensione - Frequenza / Voltage - Frequency	400 - 50	V - Hz
Corrente / Rated current	126,47	A
Velocità / Speed	2982	rpm
Coppia / Torque	240,19	Nm

— COPPIA - TORQUE — CORRENTE - CURRENT



Valori calcolati - Data obtained by calculation method
 Documento preliminare - Preliminary document

Data / Date 01-feb-21

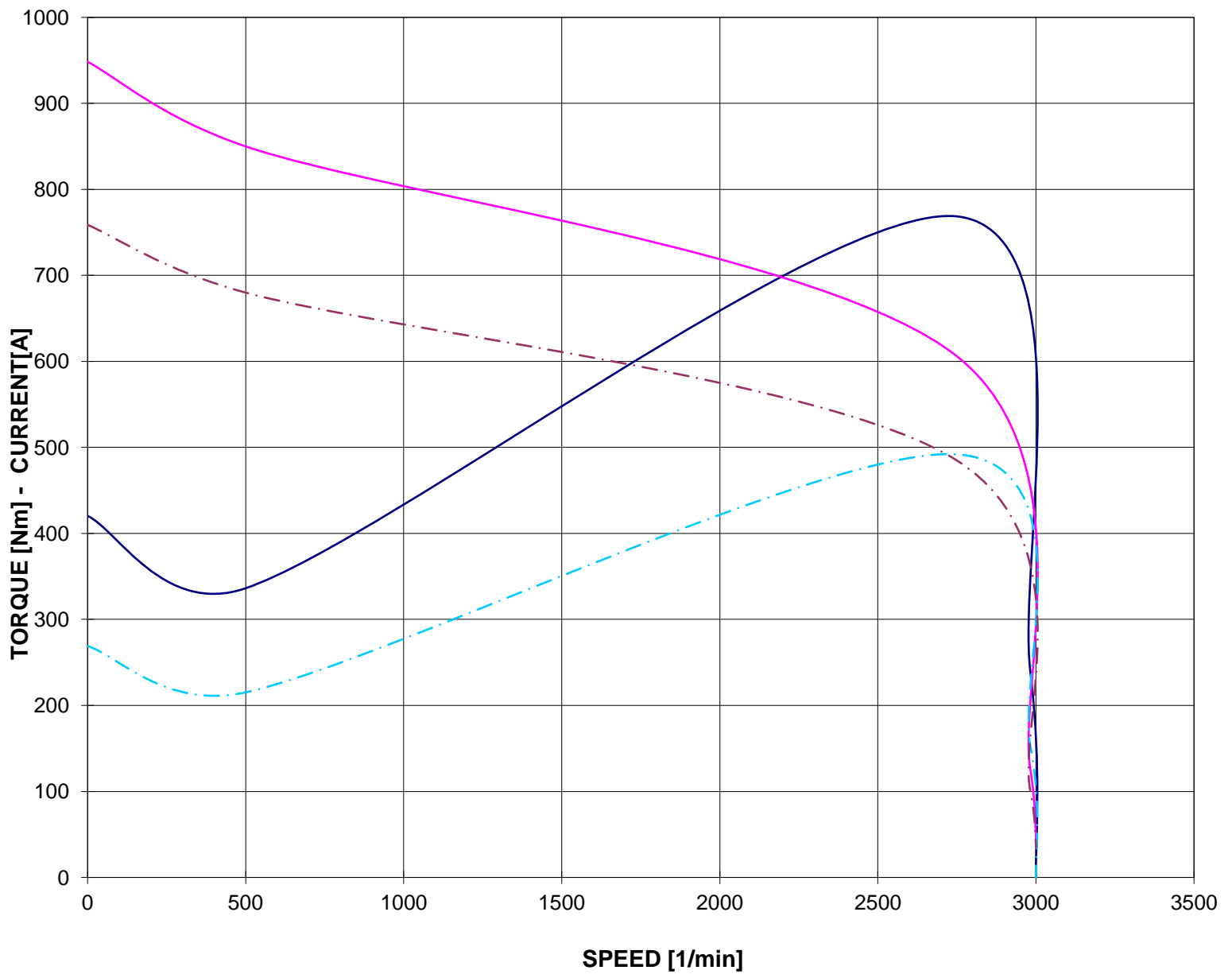


CURVA COPPIA/CORRENTE-GIRI (Tensione ridotta)
TORQUE/CURRENT-SPEED DIAGRAM (Reduced voltage)

Cliente / Customer -
 Ordine cliente / Customer order -
 Impianto / Plant -
ITEM -
 Conferma ordine / Acknowledgment -
 Numero di serie / Serial Number -

Motore / Motor	TCI 250MA2	
Potenza nominale / Rated power	75,00	kW
Poli / Pole	2	
Tensione - Frequenza / Voltage - Frequency	400 - 50	V - Hz
Corrente / Rated current	126,47	A
Velocità / Speed	2982	rpm
Coppia / Torque	240,19	Nm

— COPPIA - TORQUE — CORRENTE - CURRENT
 - - - COPPIA - TORQUE 80% Un - - - CORRENTE - CURRENT 80% Un



Valori calcolati - Data obtained by calculation method
 Documento preliminare - Preliminary document

Data / Date 01-feb-21

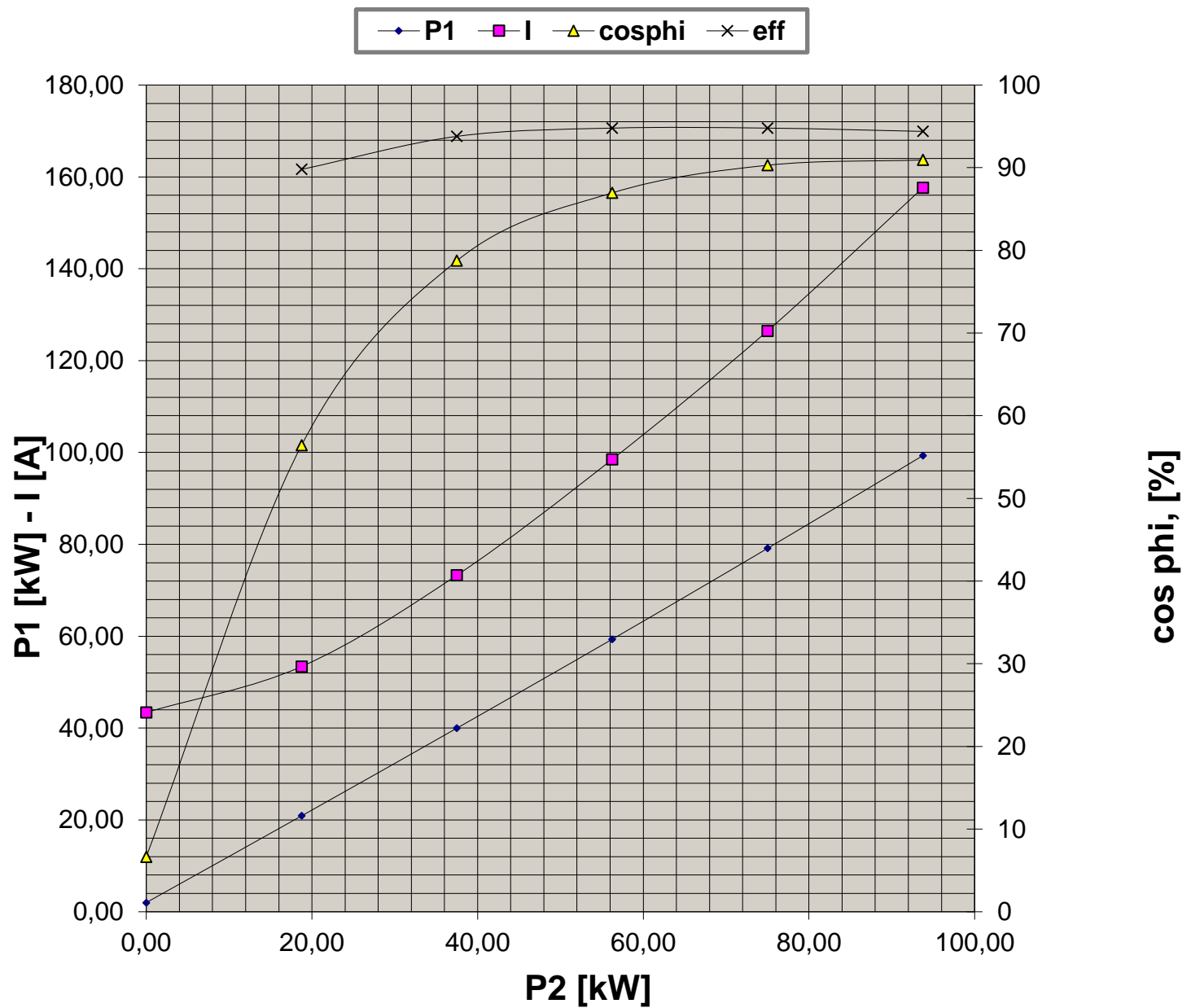


Flameproof
Motors

CURVE CARATTERISTICHE PERFORMANCE CURVES

Cliente / Customer -
 Ordine cliente / Customer order -
 Impianto / Plant -
ITEM -
 Conferma ordine / Acknowledgment -
 Numero di serie / Serial Number -

Motore / Motor	TCI 250MA2	
Potenza nominale / Rated power	75,00	kW
Poli / Pole	2	
Tensione - Frequenza / Voltage - Frequency	400 - 50	V - Hz
Corrente / Rated current	126,47	A
Velocità / Speed	2982	rpm
Coppia / Torque	240,19	Nm



Valori calcolati - Data obtained by calculation method
 Documento preliminare - Preliminary document

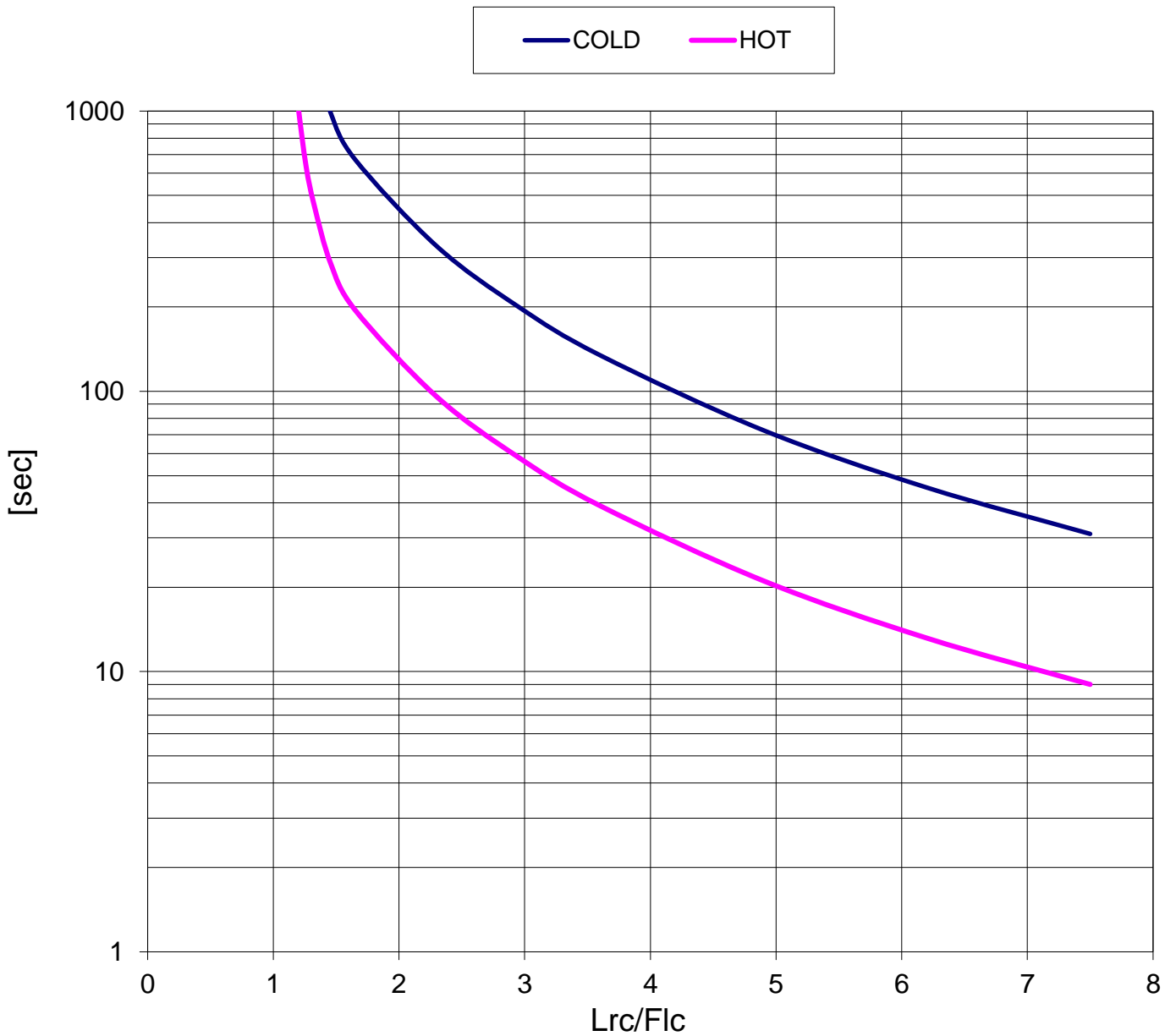
Data / Date 01-feb-21



**CURVA LIMITE CORRENTE TEMPO
THERMAL WITHSTAND CURVE**

Cliente / Customer -
 Ordine cliente / Customer order -
 Impianto / Plant -
ITEM -
 Conferma ordine / Acknowledgment -
 Numero di serie / Serial Number -

Motore / Motor	TCI 250MA2	
Potenza nominale / Rated power	75,00	kW
Poli / Pole	2	
Tensione - Frequenza / Voltage - Frequency	400 - 50	V - Hz
Corrente / Rated current	126,47	A
Velocità / Speed	2982	rpm
Coppia / Torque	240,19	Nm



Valori calcolati - Data obtained by calculation method
 Documento preliminare - Preliminary document

Data / Date 01-feb-21

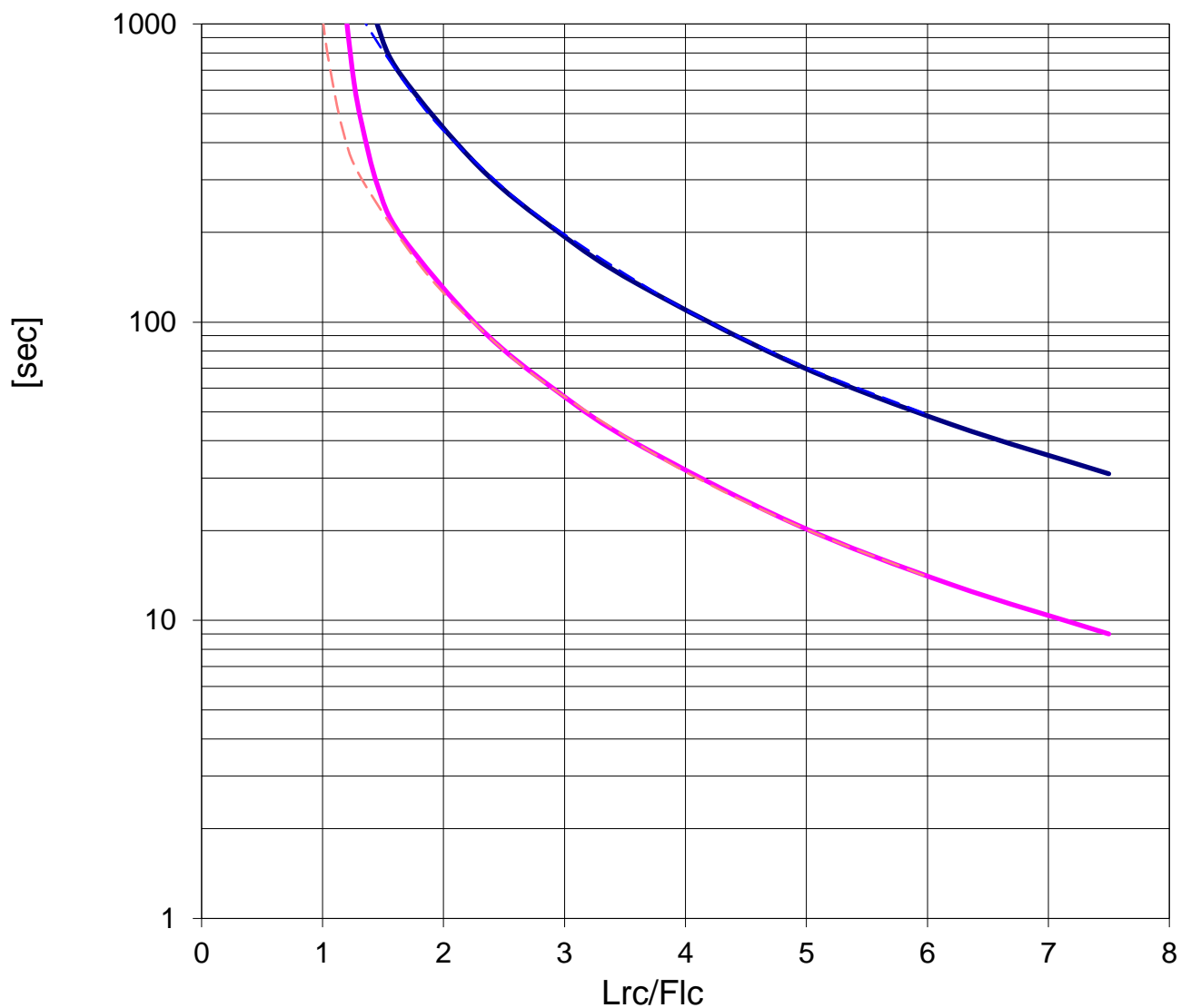
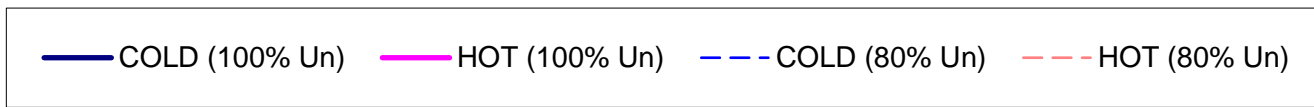


Flameproof
Motors

CURVA LIMITE CORRENTE TEMPO (Tensione ridotta)
THERMAL WITHSTAND CURVE (Reduced voltage)

Cliente / Customer -
 Ordine cliente / Customer order -
 Impianto / Plant -
ITEM -
 Conferma ordine / Acknowledgment -
 Numero di serie / Serial Number -

Motore / Motor	TCI 250MA2	
Potenza nominale / Rated power	75,00	kW
Poli / Pole	2	
Tensione - Frequenza / Voltage - Frequency	400 - 50	V - Hz
Corrente / Rated current	126,47	A
Velocità / Speed	2982	rpm
Coppia / Torque	240,19	Nm



Valori calcolati - Data obtained by calculation method
 Documento preliminare - Preliminary document

Data / Date 01-feb-21