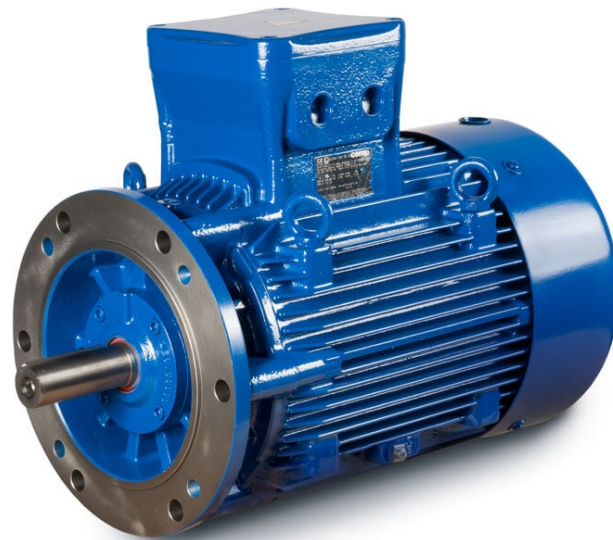


PRODUCT INFORMATION PACKET

Model No: E3AC3002357B50D41100

Catalog No: E3AC3002357B50D41100

Made in Italy E3AC30 Series, General Purpose Low Voltage IEC motor IE3, Flameproof, 355,00kW,
3 phase, 2981 RPM, D400/Y690V 50Hz, 355LC Frame B5, 2 Poles, IC411



Regal and CEMP are trademarks of Regal Rexnord Corporation or one of its affiliated companies.

©2023 Regal Rexnord Corporation, All Rights Reserved. MC017097E

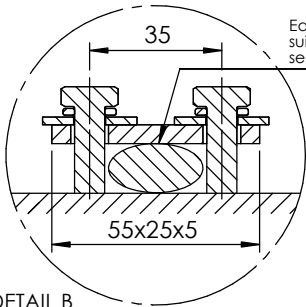
Nameplate Specifications

Phase	3	Output HP	475 Hp
Output KW	355.0 kW	Voltage	400/690 V
Speed	2981 rpm	Service Factor	1
Frame	355LC	Enclosure	Totally Enclosed Fan Cooled
Efficiency	95.8 %	Ambient Temperature	40 °C
Frequency	50 Hz	Current	595.0 A
Power Factor	0.9	Duty	S1
Insulation Class	F	Drive End Bearing Size	6317
Opp Drive End Bearing Size	6316	UL	No
CSA	No	CE	Yes
IP Code	IP55	Number of Speeds	1

Technical Specifications

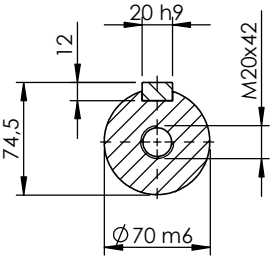
Electrical Type	Squirrel Cage	Starting Method	Direct On Line
Poles	2	Rotation	Bi-Directional
Mounting	B5	Motor Orientation	Horizontal
Drive End Bearing	C3	Opp Drive End Bearing	C3
Frame Material	Cast Iron	Shaft Type	Keyed
Overall Length	1854.00 mm	Frame Length	1085.00 mm
Shaft Diameter	70.000 mm	Shaft Extension	140 mm
Assembly/Box Mounting	Top		
Connection Drawing	SC-01-T-1v-1a	Outline Drawing	B5A048350001B01

This is an uncontrolled document once printed or downloaded and is subject to change without notice. Date Created:05/03/2023

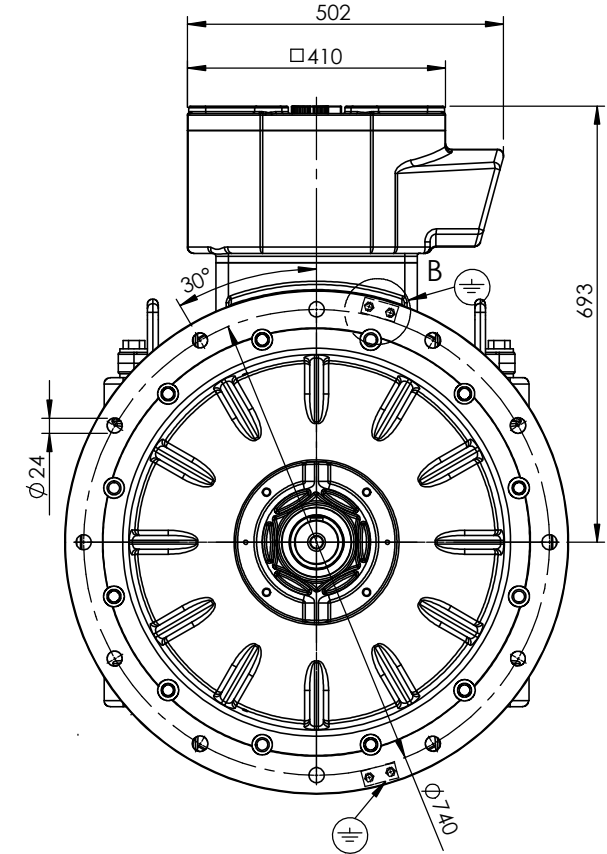
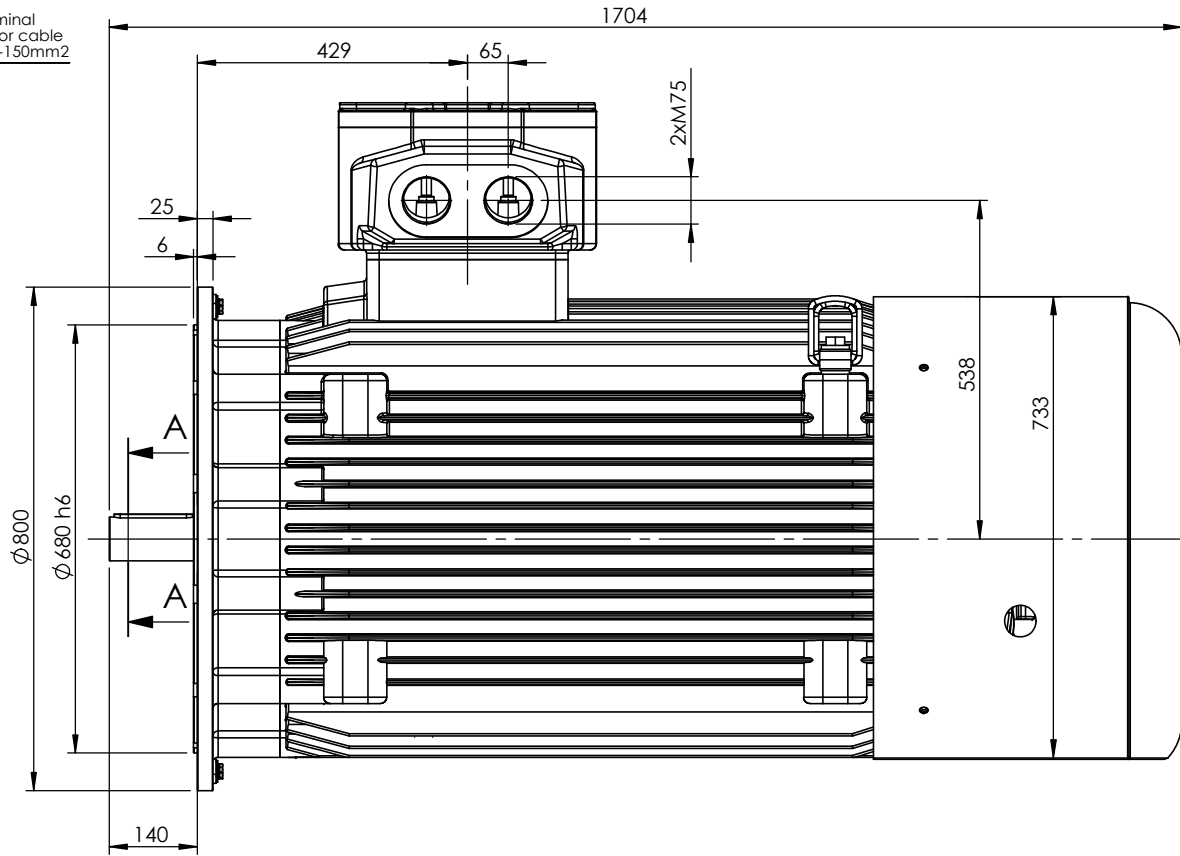



Earth terminal suitable for cable section 6-150mm²

DETAIL B
SCALE 1 : 1



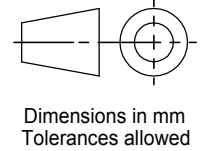
SECTION A-A
SCALE 1 : 5



 Earth terminal: 1 in the terminal box, 2 on the Flange.

N.B.
Dimensions in mm. according to IEC 60072
Tolerances where not differently marked ±2mm.
* Tolerances ±0.8

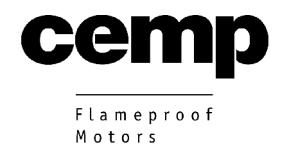
Customer reference and additional information:



Dimensions in mm
Tolerances allowed

Frame size: A 355LK 2 Poles
Document N. **B5A048350001B01** - Date 05/05/2015
Issued by L.P. - Approved by D.P.
Cemp - Senago (Italy)

Rev.	Motor type and description
0	



Schema di collegamento - *Connection diagram*
Schemas de branchement - *Schaltplän*
Esquemas de conexión



DTE 01/01/2004
SC - 01 - T - 1v.doc

**Motori trifase una velocità - *Single speed, three phase motors* - Moteurs triphasé une vitesse
Drehstrommotor Eine Drehzahlstufe - Motores trifásico una velocidad**



L1 - L2 - L3 = Linea - *Supply* - Reseau - *Netz* - Red
Per invertire la rotazione invertire due fasi - *To change the rotation reverse two phases* - Pour changer le sens de rotation inverser deux phases - *Zur Drehrichtungsänderung zwei Phasen vertauschen* - Para invertir el sentido de rotación invertir dos fases

Marcatura Morsetti Ausiliari - <i>Additional terminals marking (IEC60034-8)</i>		
Marcatura <i>Marking</i>	No. morsetti <i>terminals</i>	Morsetto ausiliare per: <i>Additional terminal for:</i>
TP1A - TP2A (allarme- <i>warning</i>)	2	Termistori PTC (alta velocità) - <i>Thermistor PTC (high speed) [*]</i>
TP1B - TP2B (allarme- <i>warning</i>)	2	Termistori PTC (bassa velocità) - <i>Thermistor PTC (low speed) [*]</i>
R1 - R2 - R3 (I sensore - <i>sensor</i>)	3	
R4 - R5 - R6 (II sensore - <i>sensor</i>)	3	Termistore PT100 3 fili - <i>Thermistor PT 100 with 3 wires</i>
R7 - R8 - R9 (III sensore - <i>sensor</i>)	3	
R11 - R12 - R13 (anteriore - <i>DE</i>)	3	
R21 - R22 - R23 (posteriore - <i>NDE</i>)	3	Termistore PT100 su cuscinetto - <i>Thermistor PT 100 on bearing</i>
TB1 - TB2 (allarme- <i>warning</i>)	2	Protettore bimetallico normalmente chiuso -
TB3 - TB4 (intervento- <i>switch off</i>)	2	<i>Normally closed bi-metallic switch (**)</i>
TB8 - TB9 (intervento- <i>switch off</i>)	2	Protettore bimetallico del freno normalmente chiuso -
		<i>NC brake bi-metallic switch (**)</i>
TM1 - TM2 (allarme- <i>warning</i>)	2	Protettore bimetallico normalmente aperto -
TM3 - TM4 (intervento- <i>switch off</i>)	2	<i>Normally open bi-metallic switch (**)</i>
HE1- HE2	2	Resistenze riscaldanti - <i>Space heaters</i>
U1 - U2	2	Ventilazione ausiliaria monofase - <i>Single phase forced ventilation</i>
U - V - W	2	Ventilazione ausiliaria trifase - <i>Three phase forced ventilation</i>
colori secondo schema del produttore - <i>colours according manufacturer</i>	9	Encoder
CA1 - CA2	2	Condensatore - <i>Capacitor</i>
PE	1	Conduttore di terra - <i>Earth cable</i>

[*] U nominale - *U rated* = 6V - max 30V(**) U nominale - *U rated* = 250V

FOGLIO DATI PER MOTORI ELETTRICI ASINCRONI TRIFASI : SERIE IEC
DATA SHEET FOR ASYNCHRONOUS THREEPHASE INDUCTION MOTORS: IEC SERIES

Cliente / Customer	-
Ordine cliente / Customer order	-
Item	-

Conferma ordine / Acknowledgment	N° -
Impianto / Plant	-

DATI DI PROGETTO - DESIGN DATA

Modo di protezione	II2G	Motore / Frame
Type of protection		Scatola morsetti / Terminal box
Tem. Amb. Min. / Min Amb. Temp.	-20 °C	
Umidità relativa / Relative humidity	90%	
Tensione nominale / Rated Voltage	400 V ± 5%	

Ex-db IIC T4 Gb	IP55
Ex-db IIC Gb	IP55
Tem. Amb. Max. / Max Amb. Temp.	40 °C
Altitudine / Altitude	< 1000 mslm / masl
Frequenza / Frequency	50 Hz ± 2%

DATI FUNZIONALI E COSTRUTTIVI - PERFORMANCE AND CONSTRUCTION DATA

1	Quantità / Quantity		01
2	Motore tipo / Motor type		AC30 355LC 2
3	Numero di serie / Serial Number		-
4	Forma costruttiva / Shape		B5
5	Certificato / Certificate	TÜV IT	15 ATEX 023 X
6	Altro certificato / Other certificate		
Dati nominali / Rated data			
7	Poli / Pole	n°	2
8	Potenza nominale / Rated power	kW	355,00
9	Corrente nominale / Rated current	A	601,68
10	Velocità nominale / Full Load speed	1/min	2986
11	Collegamento / Winding connection		D
12	Isolamento / Insulation class		F
13	Sovratemperatura / Temperature rise		80K
14	Raffreddamento / Cooling type		IC411
15	Fattore di servizio / Service factor		1
16			
17	Classe di rendimento / Efficiency level	IEC 34-30	IE3
Performances elettriche / Electrical performances			
Carico / Load		4/4	3/4
18	Giri / Speed	1/min	2986
19	Corr. / Curr.	A	601,68
20	Rend / Eff	%	95,8
21	cos φ	-	0,89
Performances all'avviamento / Starting performances			
22	Ia/In - LRC/FLC	%	825
23	Cosphi a rotore bloccato / LR power factor		0,35
Tempo a rotore bloccato / LRWT			
24	100% Un (A caldo / Warm)	sec	3
25	(A freddo / Cold)	sec	27
26	80% Un (A caldo / Warm)	sec	4
27	(A freddo / Cold)	sec	42
Tempo di avviamento ammissibile / ART			
28	100% Un	sec	24
29	80% Un	sec	37
Curva di coppia / Speed-torque values			
30	Coppia nominale / Rated Torque	Nm	1135,38
31	Ca/Cn - LRT/FLT	%	220
32	Cmax/Cn - BDT/FLT	%	0
33			
34			
35			
Varie / Other			
36			
37			
38			
39			

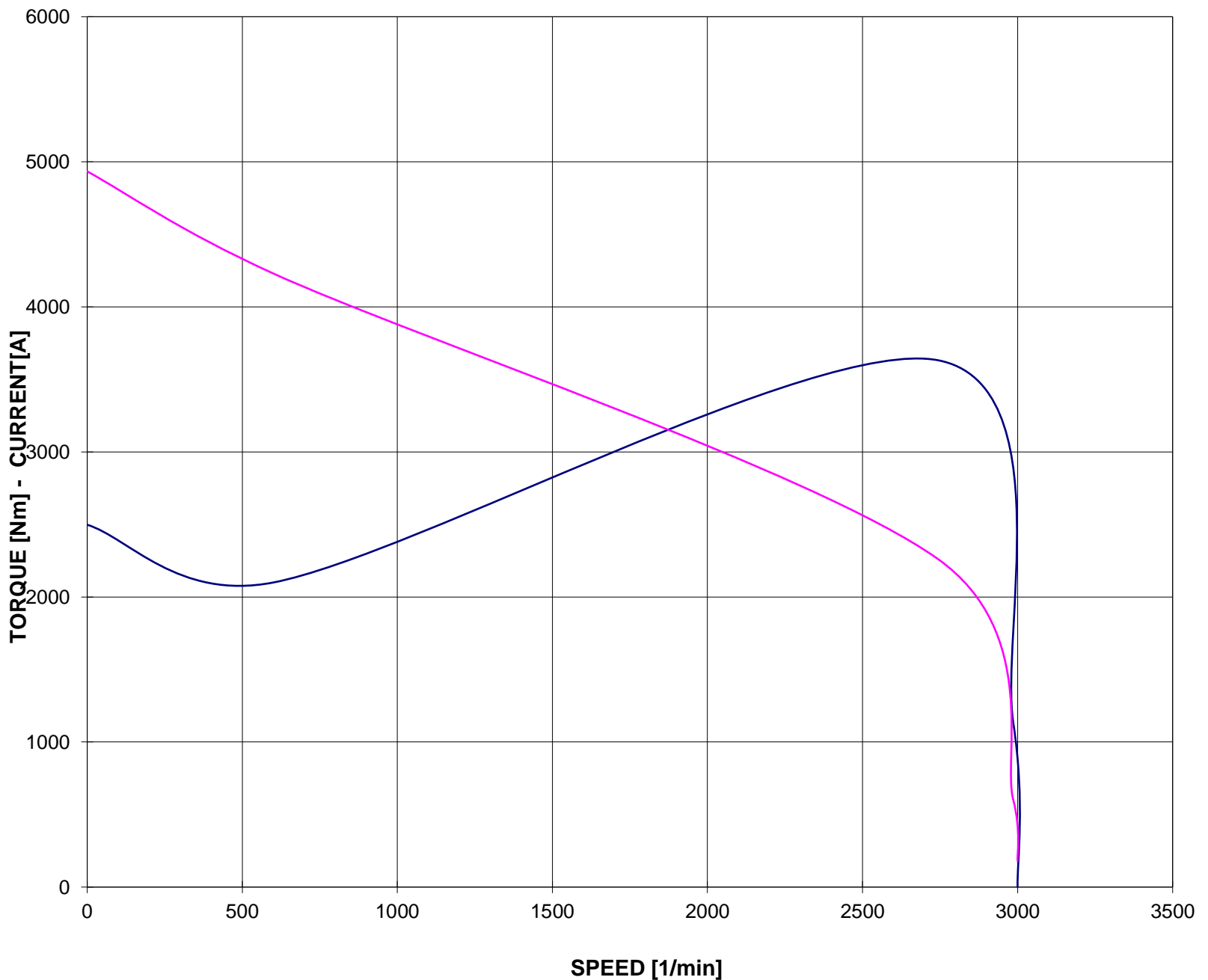
Servizio / Duty			
40	Servizio / Duty type	-	S1
41	Intermittenza / Cyclic duration factor	-	-
42	Avviamenti-ora / Starting-hour	-	-
43	Tempo ciclo / Time		-
Cuscinetti / Bearings			
44	Cuscinetto ant / DE bearing	-	6317 C3
45	Cuscinetto post / NDE bearing	-	6316 C3
46	Carico radiale max / Max radial load in X1	N	-
47	Carico assiale max / Max axial load	N	-
48	Tipo grasso / Grease type	LGHP2 SKF or equivalent	
49	Intervallo lubrificazione / Lubrication	h	-
50	Quantità grasso / Quantity grease	gr	-
Caratteristiche meccaniche / mechanical specification			
51	Massa / Mass	kg	2440
52	Momento d'inerzia / Moment of inertia	kgm2	4,4075
53	Rumore a vuoto / Noise at no load (1 m)	Lp dB(A)	90
54	Vibrazioni / Vibration level	IEC 34-14	A
55	Limite norma / Vibration limit	mm/sec	2,80
56			
57			
Dati entrata cavi - verniciatura / Cable entry and painting			
63	Entrata cavi / Cable entry		2xM75
64	Ciclo verniciatura / Painting cycle		STD
65	Colore finale / Final colour	RAL	5010
66			
67			
68			
69			
70			
71			
Ausiliari - Auxiliaries			
72	Sonde termiche / Temperature detector	winding	-
73	Sonde termiche / Temperature detector	bearing	-
74	Scaldiglie / Heaters	V / W	-
75	Preparation for SPM sensor		-
76	Pressacavi / Cable glands		NO
77			

**CURVA COPPIA/CORRENTE-GIRI
TORQUE/CURRENT-SPEED DIAGRAM**

Cliente / Customer	CEMP
Impianto / Plant	-
ITEM	-
Numero d'offerta / Offer Number	2021.
	-

Motore / Motor	AC30 355LC 2	
Potenza nominale / Rated power	355,00	kW
Poli / Pole	2	
Tensione - Frequenza / Voltage - Frequency	400 - 50	V - Hz
Corrente / Rated current	601,68	A
Velocità / Speed	2986	rpm
Coppia / Torque	1135,38	Nm

— COPPIA - TORQUE — CORRENTE - CURRENT



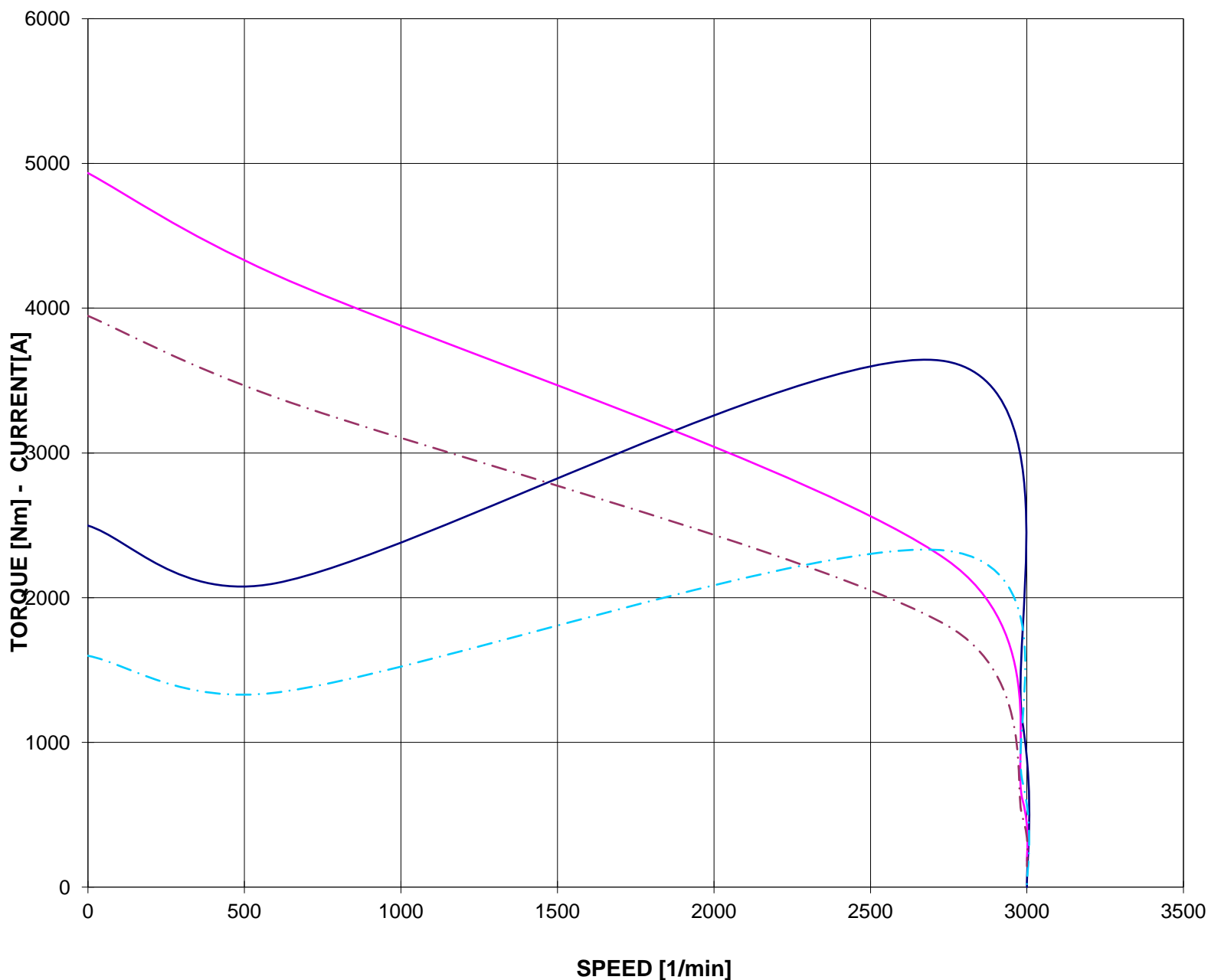
Valori calcolati - Data obtained by calculation method

CURVA COPPIA/CORRENTE-GIRI (Tensione ridotta)
TORQUE/CURRENT-SPEED DIAGRAM (Reduced voltage)

Cliente / Customer	CEMP
Impianto / Plant	-
ITEM	-
Numero d'offerta / Offer Number	2021.
	-

Motore / Motor	AC30 355LC 2	
Potenza nominale / Rated power	355,00	kW
Poli / Pole	2	
Tensione - Frequenza / Voltage - Frequency	400 - 50	V - Hz
Corrente / Rated current	601,68	A
Velocità / Speed	2986	rpm
Coppia / Torque	1135,38	Nm

— COPPIA - TORQUE	— CORRENTE - CURRENT
- - - COPPIA - TORQUE 80% Un	- - - CORRENTE - CURRENT 80% Un

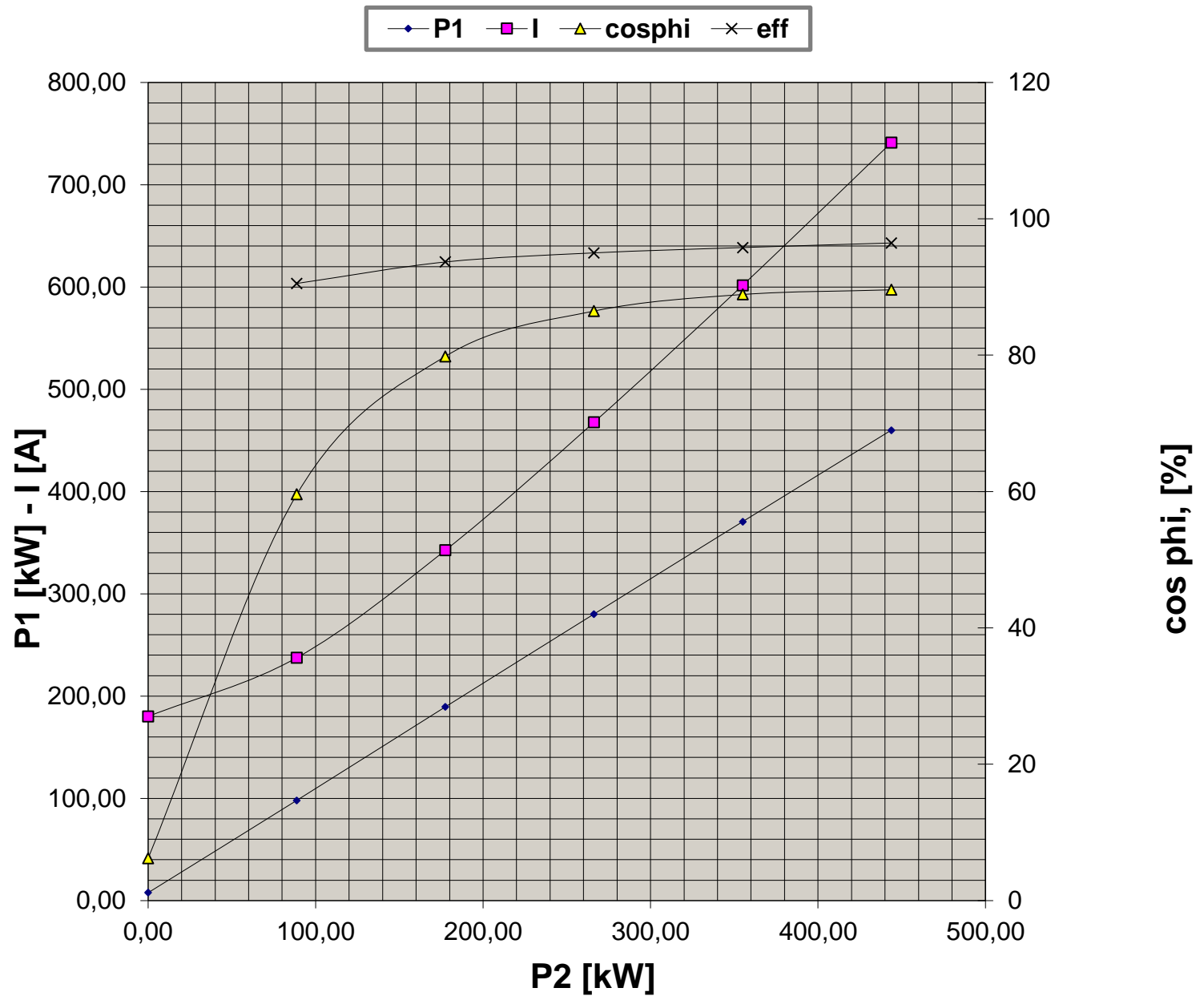


Valori calcolati - Data obtained by calculation method

**CURVE CARATTERISTICHE
PERFORMANCE CURVES**

Cliente / Customer CEMP
 Impianto / Plant -
ITEM -
 Numero d'offerta / Offer Number 2021.
 -

Motore / Motor AC30 355LC 2
 Potenza nominale / Rated power 355,00 kW
 Poli / Pole 2
 Tensione - Frequenza / Voltage - Frequency 400 - 50 V - Hz
 Corrente / Rated current 601,68 A
 Velocità / Speed 2986 rpm
 Coppia / Torque 1135,38 Nm

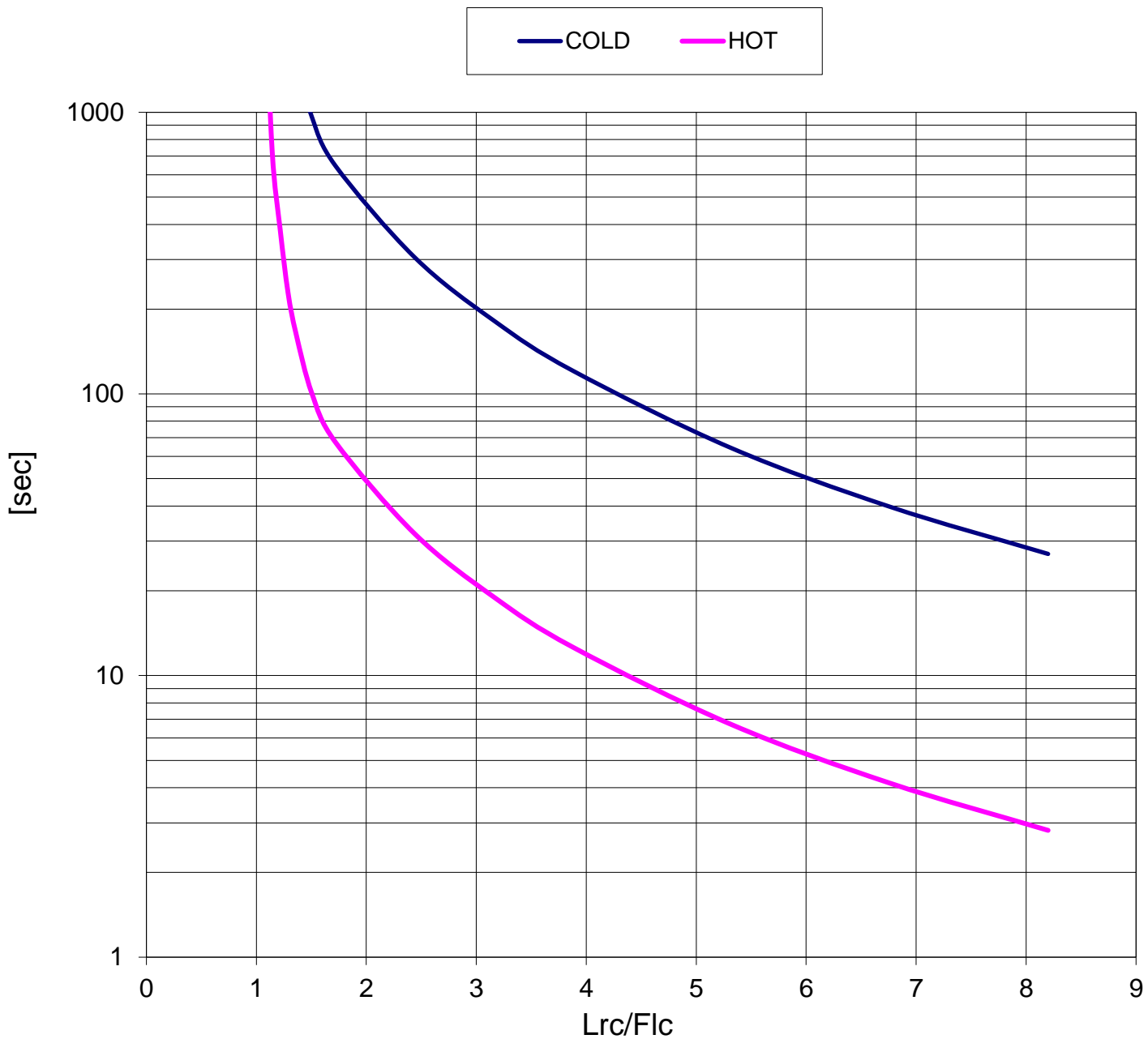


Valori calcolati - Data obtained by calculation method

CURVA LIMITE CORRENTE TEMPO
THERMAL WITHSTAND CURVE

Cliente / Customer	CEMP
Impianto / Plant	-
ITEM	-
Numero d'offerta / Offer Number	2021.
	-

Motore / Motor	AC30 355LC 2	
Potenza nominale / Rated power	355,00	kW
Poli / Pole	2	
Tensione - Frequenza / Voltage - Frequency	400 - 50	V - Hz
Corrente / Rated current	601,68	A
Velocità / Speed	2986	rpm
Coppia / Torque	1135,38	Nm



Valori calcolati - Data obtained by calculation method

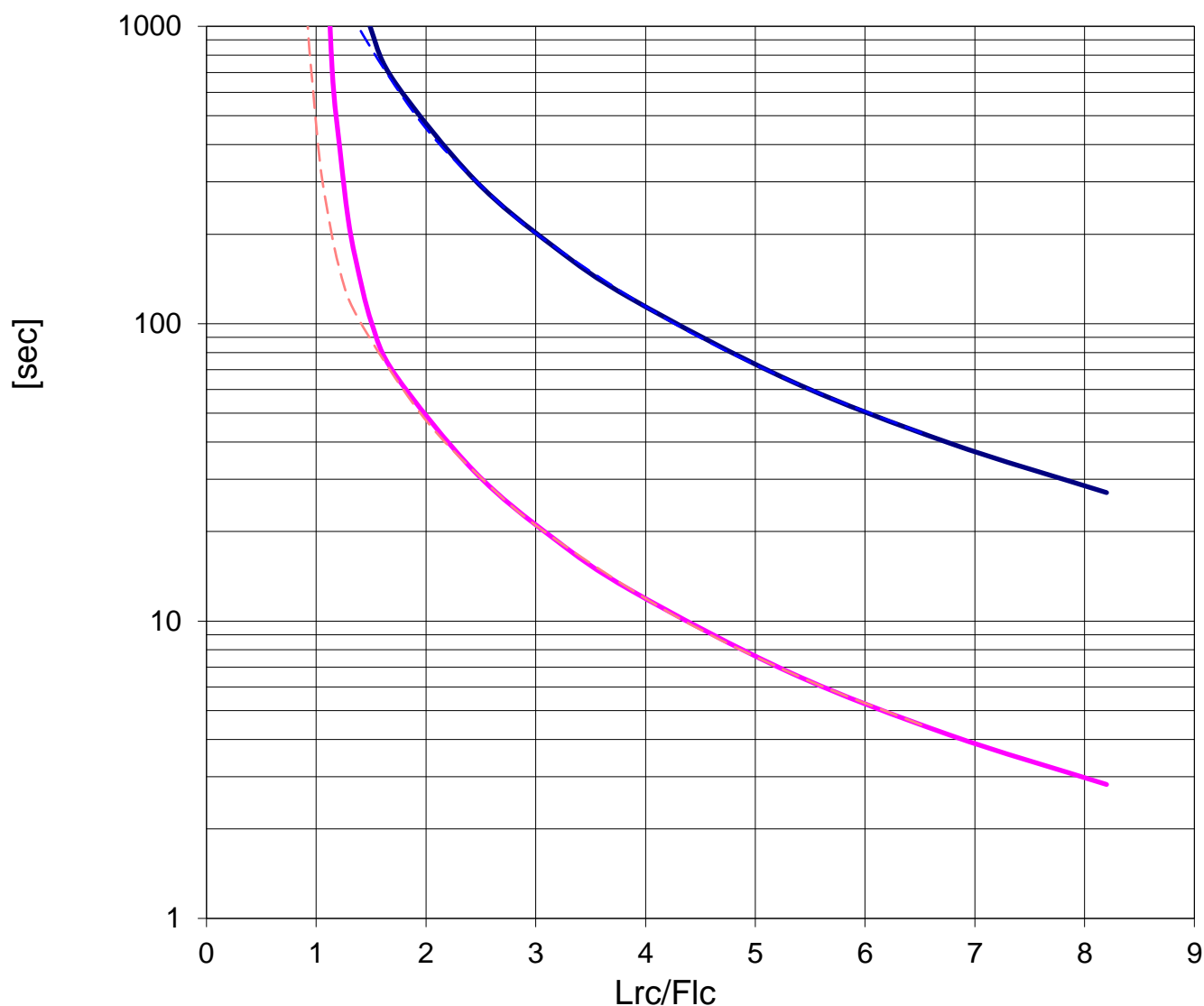
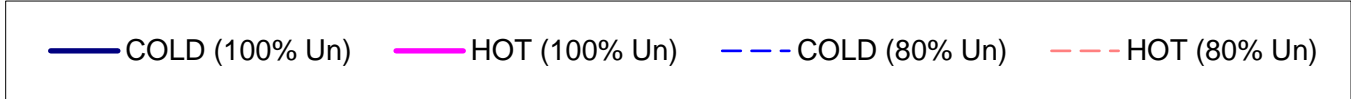
CURVA LIMITE CORRENTE TEMPO (Tensione ridotta)
THERMAL WITHSTAND CURVE (Reduced voltage)

Cliente / Customer CEMP

Impianto / Plant -
ITEM -

Numero d'offerta / Offer Number 2021.
-

Motore / Motor	AC30 355LC 2	
Potenza nominale / Rated power	355,00	kW
Poli / Pole	2	
Tensione - Frequenza / Voltage - Frequency	400 - 50	V - Hz
Corrente / Rated current	601,68	A
Velocità / Speed	2986	rpm
Coppia / Torque	1135,38	Nm



Valori calcolati - Data obtained by calculation method