

PRODUCT INFORMATION PACKET

Model No: E3AB3002311B30D41100

Catalog No: E3AB3002311B30D41100

Made in Italy E3AB30 Series, General Purpose Low Voltage IEC motor IE3, Flameproof, 110,00kW,
3 phase, 2983 RPM, D400/Y690V 50Hz, 315S Frame B3, 2 Poles, IC411



Regal and CEMP are trademarks of Regal Rexnord Corporation or one of its affiliated companies.
©2022 Regal Rexnord Corporation, All Rights Reserved. MC017097E

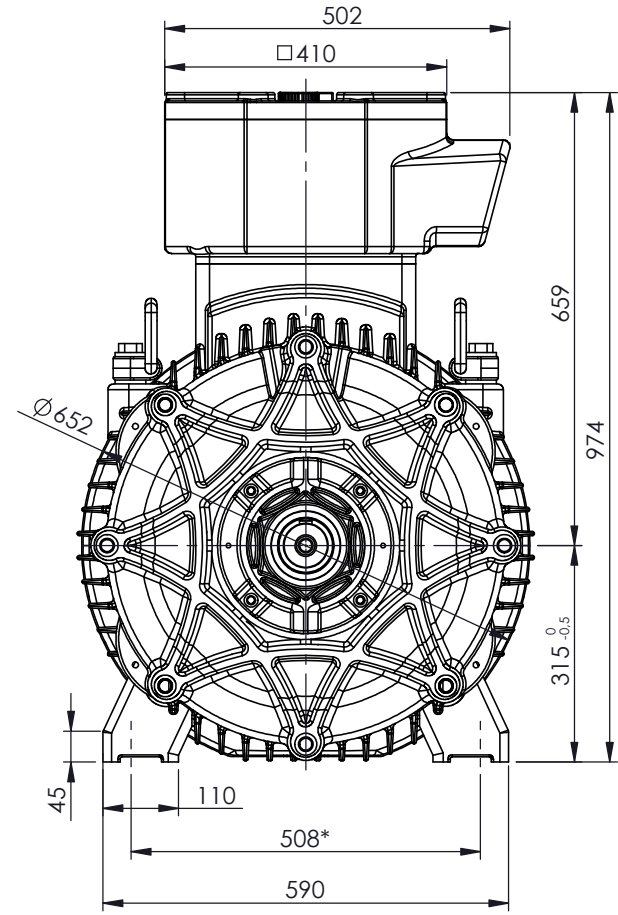
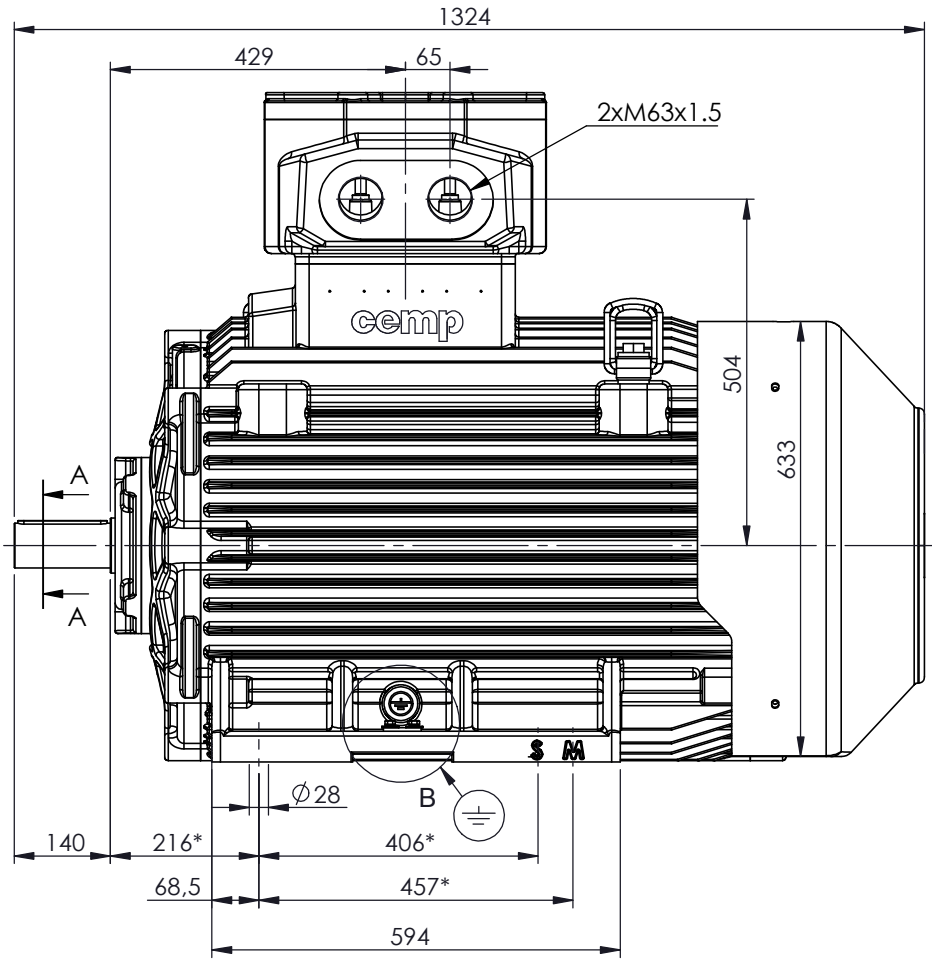
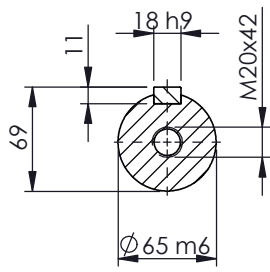
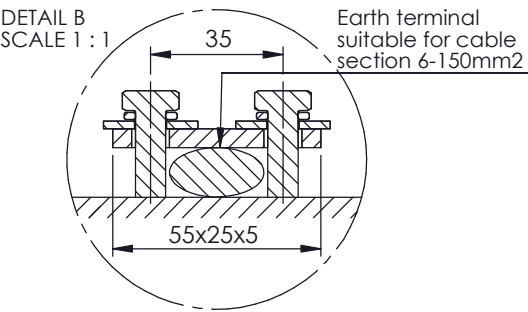
Nameplate Specifications

| | | | |
|------------------------|----------------------|----------------------------|------------------------------------|
| Output HP | 150 Hp | Output KW | 110.0 kW |
| Frequency | 50 Hz | Voltage | 400/690 V |
| Current | 186.0 A | Speed | 2983 rpm |
| Service Factor | 1 | Phase | 3 |
| Efficiency | 95.3 % | Power Factor | 0.89 |
| Duty | S1 | Insulation Class | F |
| Frame | 315S | Enclosure | Totally Enclosed Fan Cooled |
| Thermal Protection | No Protection | Ambient Temperature | 40 °C |
| Drive End Bearing Size | 6316 | Opp Drive End Bearing Size | 6316 |
| UL | No | CSA | No |
| CE | Yes | IP Code | IP55 |
| Number of Speeds | 1 | | |

Technical Specifications

| | | | |
|-----------------------|----------------------|-----------------------|-------------------------|
| Electrical Type | Squirrel Cage | Starting Method | Direct On Line |
| Poles | 2 | Rotation | Bi-Directional |
| Mounting | B3 | Motor Orientation | Horizontal |
| Drive End Bearing | Zz C3 | Opp Drive End Bearing | Zz C3 |
| Frame Material | Cast Iron | Shaft Type | Keyed |
| Overall Length | 1475.00 mm | Frame Length | 800.00 mm |
| Shaft Diameter | 65.000 mm | Shaft Extension | 140 mm |
| Assembly/Box Mounting | Top | | |
| Connection Drawing | SC-01-T-1v-1a | Outline Drawing | B3A04E8315001A01 |

This is an uncontrolled document once printed or downloaded and is subject to change without notice. Date Created:12/02/2022



Earth terminal: 1 in the terminal box, 2 on the frame.

CUSTOMER REFERENCE AND ADDITIONAL INFORMATION:

MOTOR TYPE AND DESCRIPTION:

| | | |
|------------------|-------------|------|
| DRAWING REVISION | REVISION BY | DATE |
| ECO | APPROVED BY | DATE |
| ECO DESCRIPTION | | |

TOLERANCES (EXCEPT AS NOTED)
TOLERANCES: ±2
* TOLERANCES: ±0.8

DIMENSIONS ARE IN mm
ACCORDING TO IEC 60072

| | |
|-------------|------------|
| DRAWN BY | LP |
| DATE | 27/12/2016 |
| APPROVED BY | DP |
| DATE | 27/12/2016 |
| REFERENCE | |

DESCRIPTION

Motor A315 S/MA/MB/ML (S) 2P B3 IE3

COPYRIGHT CEMP Srl. ALL RIGHTS RESERVED. PROPRIETARY AND CONFIDENTIAL INFORMATION - THIS DOCUMENT IS THE PROPERTY OF CEMP Srl. ("OWNER") AND CONTAINS OWNER'S PROPRIETARY INFORMATION. ANY PERSON, CORPORATION OR OTHER FIRM RECEIVING IT IS DEEMED, BY RECEIVING IT, TO AGREE THAT IT, AND/OR ANY PART OF IT, SHALL NOT BE DISCLOSED TO ANY PERSON, CORPORATION OR OTHER ENTITY, DUPLICATED, AND/OR USED, EXCEPT AS EXPRESSLY APPROVED IN WRITING IN ADVANCE BY OWNER. THIS DOCUMENT SHALL BE RETURNED TO OWNER UPON REQUEST. IT MAY BE SUBJECT TO CERTAIN RESTRICTIONS UNDER APPLICABLE EXPORT CONTROL LAWS AND REGULATIONS.

SERIAL NUMBER

FIRST ANGLE PROJECTION

| | | | | | |
|------|----|----------------|------------------|-------|--------|
| SIZE | A4 | DRAWING NUMBER | B3A04E8315001A01 | SHEET | 1 OF 2 |
|------|----|----------------|------------------|-------|--------|

Schema di collegamento - *Connection diagram*
Schemas de branchement - *Schaltplän*
Esquemas de conexión



DTE 01/01/2004
SC - 01 - T - 1v.doc

**Motori trifase una velocità - *Single speed, three phase motors* - Moteurs triphasé une vitesse
Drehstrommotor Eine Drehzahlstufe - Motores trifásico una velocidad**



L1 - L2 - L3 = Linea - *Supply* - Reseau - *Netz* - Red
Per invertire la rotazione invertire due fasi - *To change the rotation reverse two phases* - Pour changer le sens de rotation inverser deux phases - *Zur Drehrichtungsänderung zwei Phasen vertauschen* - Para invertir el sentido de rotación invertir dos fases

| Marcatura Morsetti Ausiliari - <i>Additional terminals marking (IEC60034-8)</i> | | |
|--|--|--|
| Marcatura <i>Marking</i> | No. morsetti <i>terminals</i> | Morsetto ausiliare per: <i>Additional terminal for:</i> |
| TP1A - TP2A (allarme- <i>warning</i>) | 2 | Termistori PTC (alta velocità) - <i>Thermistor PTC (high speed) [*]</i> |
| TP1B - TP2B (allarme- <i>warning</i>) | 2 | Termistori PTC (bassa velocità) - <i>Thermistor PTC (low speed) [*]</i> |
| R1 - R2 - R3 (I sensore - <i>sensor</i>) | 3 | Termistore PT100 3 fili - <i>Thermistor PT 100 with 3 wires</i> |
| R4 - R5 - R6 (II sensore - <i>sensor</i>) | 3 | |
| R7 - R8 - R9 (III sensore - <i>sensor</i>) | 3 | |
| R11 - R12 - R13 (anteriore - <i>DE</i>) | 3 | Termistore PT100 su cuscinetto - <i>Thermistor PT 100 on bearing</i> |
| R21 - R22 - R23 (posteriore - <i>NDE</i>) | 3 | |
| TB1 - TB2 (allarme- <i>warning</i>) | 2 | Protettore bimetallico normalmente chiuso - <i>Normally closed bi-metallic switch (**)</i> |
| TB3 - TB4 (intervento- <i>switch off</i>) | 2 | |
| TB8 - TB9 (intervento- <i>switch off</i>) | 2 | Protettore bimetallico del freno normalmente chiuso - <i>NC brake bi-metallic switch (**)</i> |
| TM1 - TM2 (allarme- <i>warning</i>) | 2 | Protettore bimetallico normalmente aperto - <i>Normally open bi-metallic switch (**)</i> |
| TM3 - TM4 (intervento- <i>switch off</i>) | 2 | |
| HE1- HE2 | 2 | Resistenze riscaldanti - <i>Space heaters</i> |
| U1 - U2 | 2 | Ventilazione ausiliaria monofase - <i>Single phase forced ventilation</i> |
| U - V - W | 2 | Ventilazione ausiliaria trifase - <i>Three phase forced ventilation</i> |
| colori secondo schema del produttore - <i>colours according manufacturer</i> | 9 | Encoder |
| CA1 - CA2 | 2 | Condensatore - <i>Capacitor</i> |
| PE | 1 | Conduttore di terra - <i>Earth cable</i> |

[*] U nominale - *U rated* = 6V - max 30V(**) U nominale - *U rated* = 250V

FOGLIO DATI PER MOTORI ELETTRICI ASINCRONI TRIFASI : SERIE IEC
 DATA SHEET FOR ASYNCHRONOUS THREEPHASE INDUCTION MOTORS: IEC SERIES

| | |
|---------------------------------|---|
| Cliente / Customer | - |
| Ordine cliente / Customer order | - |
| Item | - |

| | |
|----------------------------------|------|
| Conferma ordine / Acknowledgment | N° - |
| Impianto / Plant | - |

DATI DI PROGETTO - DESIGN DATA

| | | |
|--------------------------------------|------------|---------------------------------|
| Modo di protezione | II2G | Motore / Frame |
| Type of protection | | Scatola morsetti / Terminal box |
| Tem. Amb. Min. / Min Amb. Temp. | -20 °C | |
| Umidità relativa / Relative humidity | 90% | |
| Tensione nominale / Rated Voltage | 400 V ± 5% | |

| | |
|---------------------------------|--------------------|
| Ex-db IIB T4 Gb | IP55 |
| Ex-db IIB Gb | IP55 |
| Tem. Amb. Max. / Max Amb. Temp. | 40 °C |
| Altitudine / Altitude | < 1000 mslm / masl |
| Frequenza / Frequency | 50 Hz ± 2% |

DATI FUNZIONALI E COSTRUTTIVI - PERFORMANCE AND CONSTRUCTION DATA

| | | | |
|--|--|-----------|-------------------|
| 1 | Quantità / Quantity | | 01 |
| 2 | Motore tipo / Motor type | | E3AB30 315S 2 |
| 3 | Numero di serie / Serial Number | | - |
| 4 | Forma costruttiva / Shape | | B3 |
| 5 | Certificato / Certificate | TÜV CY | 17 ATEX 0205845 X |
| 6 | Altro certificato / Other certificate | | |
| Dati nominali / Rated data | | | |
| 7 | Poli / Pole | n° | 2 |
| 8 | Potenza nominale / Rated power | kW | 110,00 |
| 9 | Corrente nominale / Rated current | A | 186,36 |
| 10 | Velocità nominale / Full Load speed | 1/min | 2983 |
| 11 | Collegamento / Winding connection | | D |
| 12 | Isolamento / Insulation class | | F |
| 13 | Sovratemperatura / Temperature rise | | 80K |
| 14 | Raffreddamento / Cooling type | | IC411 |
| 15 | Fattore di servizio / Service factor | | 1 |
| 16 | | | |
| 17 | Classe di rendimento / Efficiency level | IEC 34-30 | IE3 |
| Performances elettriche / Electrical performances | | | |
| | Carico / Load | 4/4 | 3/4 |
| 18 | Giri / Speed | 1/min | 2983 |
| 19 | Corr. / Curr. | A | 186,36 |
| 20 | Rend / Eff | % | 95,3 |
| 21 | cos φ | - | 0,89 |
| Performances all'avviamento / Starting performances | | | |
| 22 | Ia/In - LRC/FLC | % | 695 |
| 23 | Cosphi a rotore bloccato / LR power factor | | 0,26 |
| | Tempo a rotore bloccato / LRWT | | |
| 24 | 100% Un (A caldo / Warm) | sec | 8 |
| 25 | (A freddo / Cold) | sec | 27 |
| 26 | 80% Un (A caldo / Warm) | sec | 13 |
| 27 | (A freddo / Cold) | sec | 43 |
| | Tempo di avviamento ammissibile / ART | | |
| 28 | 100% Un | sec | 24 |
| 29 | 80% Un | sec | 37 |
| Curva di coppia / Speed-torque values | | | |
| 30 | Coppia nominale / Rated Torque | Nm | 352,14 |
| 31 | Ca/Cn - LRT/FLT | % | 170 |
| 32 | Cmax/Cn - BDT/FLT | % | 300 |
| 33 | | | |
| 34 | | | |
| 35 | | | |
| Varie / Other | | | |
| 36 | | | |
| 37 | | | |
| 38 | | | |
| 39 | | | |

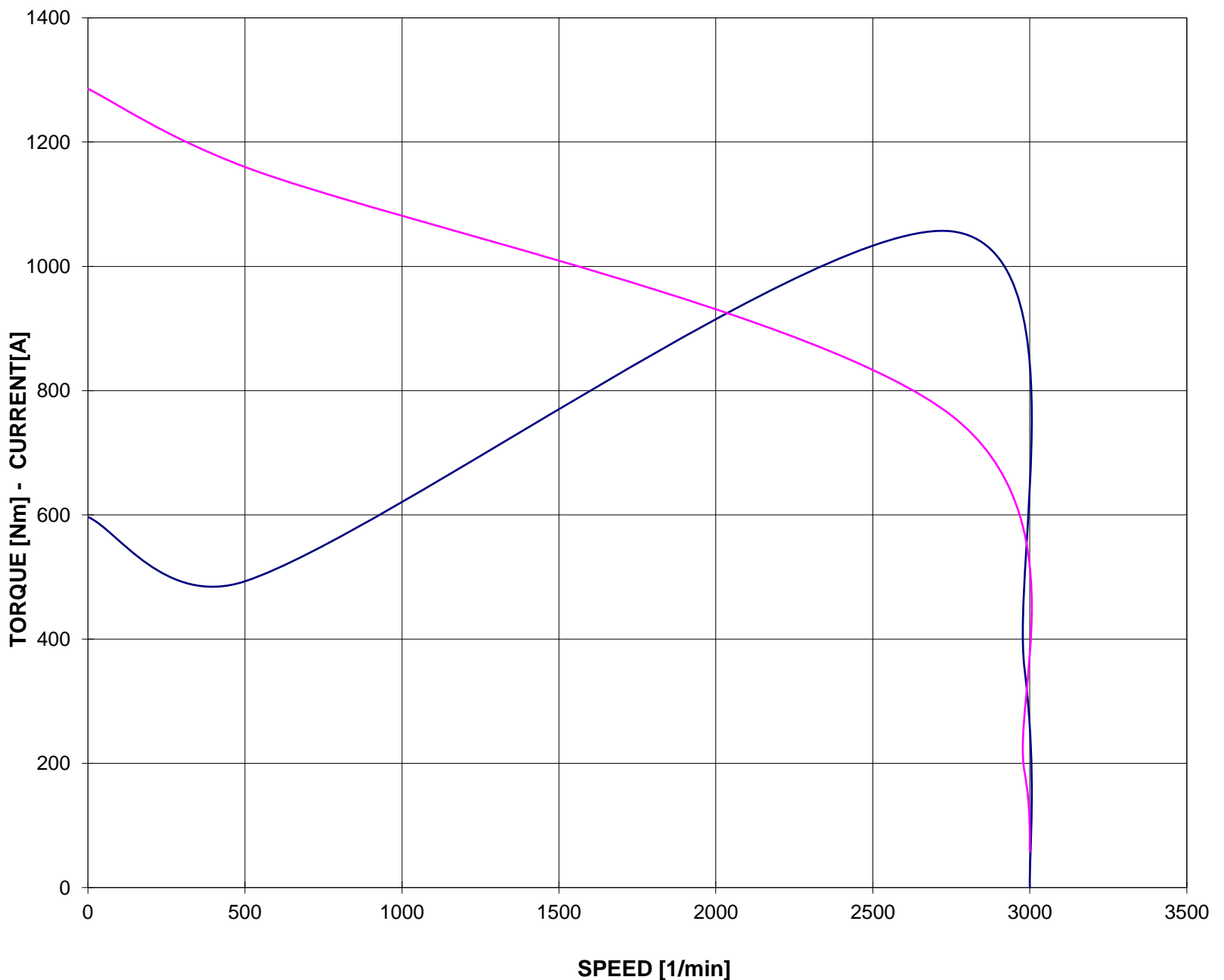
| | | | |
|--|--|-------------------------|------------|
| Servizio / Duty | | | |
| 40 | Servizio / Duty type | - | S1 |
| 41 | Intermittenza / Cyclic duration factor | - | - |
| 42 | Avviamenti-ora / Starting-hour | - | - |
| 43 | Tempo ciclo / Time | | - |
| Cuscinetti / Bearings | | | |
| 44 | Cuscinetto ant / DE bearing | - | 6316 ZZ C3 |
| 45 | Cuscinetto post / NDE bearing | - | 6316 ZZ C3 |
| 46 | Carico radiale max / Max radial load in X1 | N | 5000 |
| 47 | Carico assiale max / Max axial load | N | 5500 |
| 48 | Tipo grasso / Grease type | LGHP2 SKF or equivalent | |
| 49 | Intervallo lubrificazione / Lubrication | h | - |
| 50 | Quantità grasso / Quantity grease | gr | - |
| Caratteristiche meccaniche / mechanical specification | | | |
| 51 | Massa / Mass | kg | 1432,5 |
| 52 | Momento d'inerzia / Moment of inertia | kgm2 | 1,9059 |
| 53 | Rumore a vuoto / Noise at no load (1 m) | Lp dB(A) | 84 |
| 54 | Vibrazioni / Vibration level | IEC 34-14 | A |
| 55 | Limite norma / Vibration limit | mm/sec | 2,80 |
| 56 | | | |
| 57 | | | |
| Dati entrata cavi - verniciatura / Cable entry and painting | | | |
| 63 | Entrata cavi / Cable entry | | 2xM63 |
| 64 | Ciclo verniciatura / Painting cycle | | STD |
| 65 | Colore finale / Final colour | RAL | 5010 |
| 66 | | | |
| 67 | | | |
| 68 | | | |
| 69 | | | |
| 70 | | | |
| 71 | | | |
| Ausiliari - Auxiliaries | | | |
| 72 | Sonde termiche / Temperature detector | winding | - |
| 73 | Sonde termiche / Temperature detector | bearing | - |
| 74 | Scaldiglie / Heaters | V / W | - |
| 75 | Preparation for SPM sensor | | - |
| 76 | Pressacavi / Cable glands | | NO |
| 77 | | | |

CURVA COPPIA/CORRENTE-GIRI TORQUE/CURRENT-SPEED DIAGRAM

Cliente / Customer -
 Ordine cliente / Customer order -
 Impianto / Plant -
ITEM -
 Conferma ordine / Acknowledgment -
 Numero di serie / Serial Number -

| | | |
|--|----------------------|--------|
| Motore / Motor | E3AB30 315S 2 | |
| Potenza nominale / Rated power | 110,00 | kW |
| Poli / Pole | 2 | |
| Tensione - Frequenza / Voltage - Frequency | 400 - 50 | V - Hz |
| Corrente / Rated current | 186,36 | A |
| Velocità / Speed | 2983 | rpm |
| Coppia / Torque | 352,14 | Nm |

— COPPIA - TORQUE — CORRENTE - CURRENT



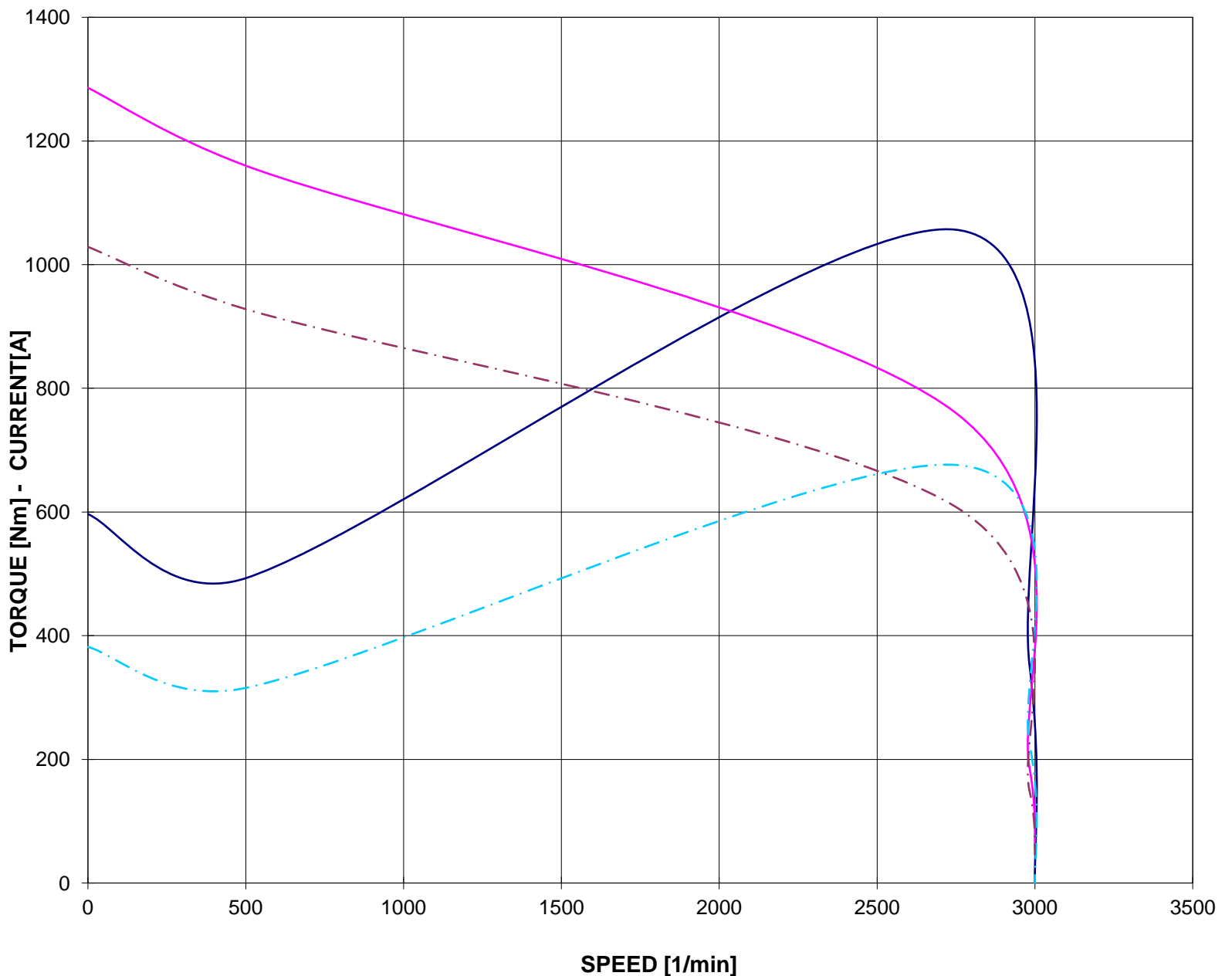
Valori calcolati - Data obtained by calculation method

CURVA COPPIA/CORRENTE-GIRI (Tensione ridotta) TORQUE/CURRENT-SPEED DIAGRAM (Reduced voltage)

Cliente / Customer -
 Ordine cliente / Customer order -
 Impianto / Plant -
ITEM -
 Conferma ordine / Acknowledgment -
 Numero di serie / Serial Number -

| | | |
|--|----------------------|--------|
| Motore / Motor | E3AB30 315S 2 | |
| Potenza nominale / Rated power | 110,00 | kW |
| Poli / Pole | 2 | |
| Tensione - Frequenza / Voltage - Frequency | 400 - 50 | V - Hz |
| Corrente / Rated current | 186,36 | A |
| Velocità / Speed | 2983 | rpm |
| Coppia / Torque | 352,14 | Nm |

— COPPIA - TORQUE — CORRENTE - CURRENT
- - - COPPIA - TORQUE 80% Un - - - CORRENTE - CURRENT 80% Un

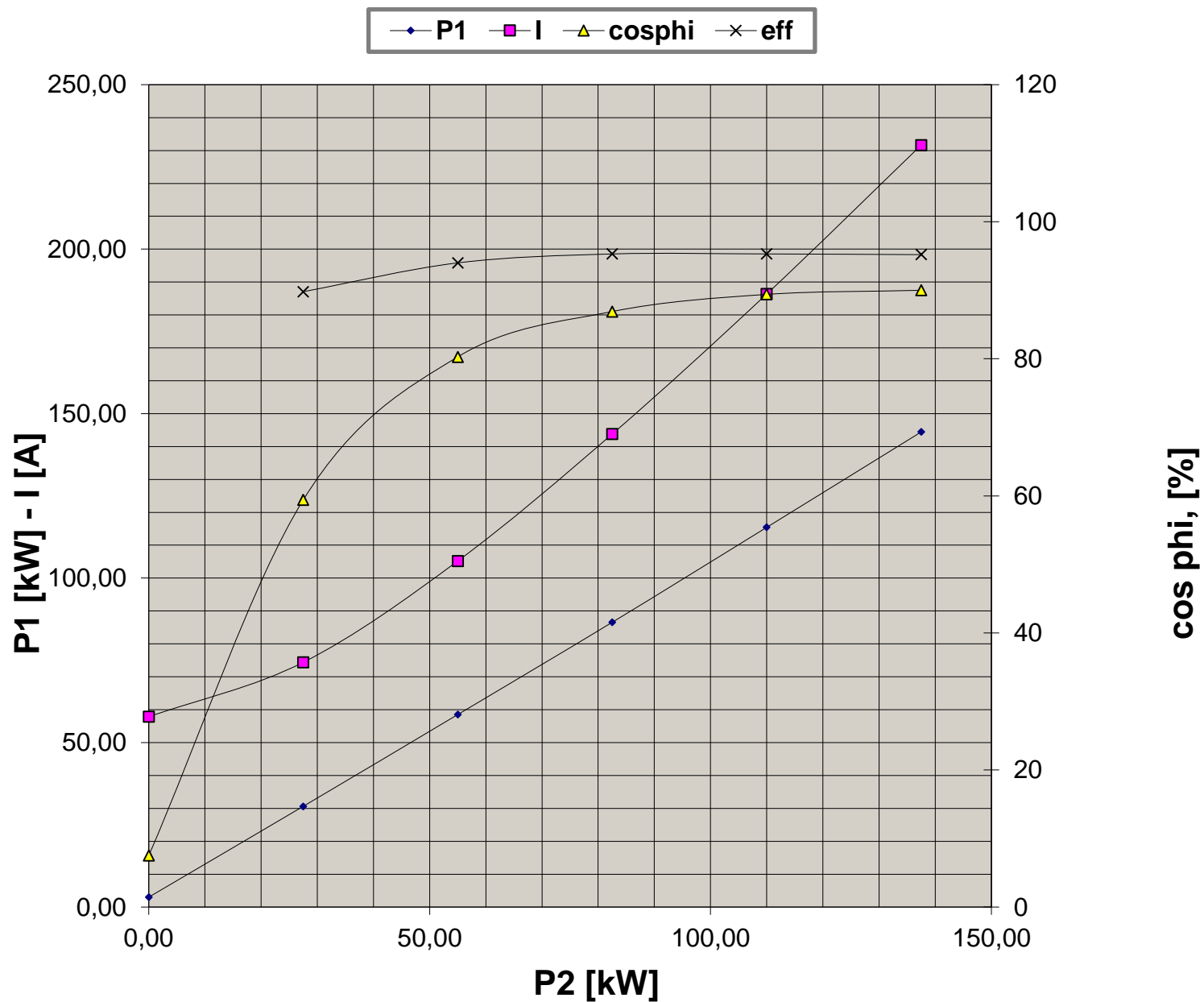


Valori calcolati - Data obtained by calculation method

CURVE CARATTERISTICHE PERFORMANCE CURVES

Cliente / Customer -
 Ordine cliente / Customer order -
 Impianto / Plant -
ITEM -
 Conferma ordine / Acknowledgment -
 Numero di serie / Serial Number -

Motore / Motor **E3AB30 315S 2**
 Potenza nominale / Rated power 110,00 kW
 Poli / Pole 2
 Tensione - Frequenza / Voltage - Frequency 400 - 50 V - Hz
 Corrente / Rated current 186,36 A
 Velocità / Speed 2983 rpm
 Coppia / Torque 352,14 Nm

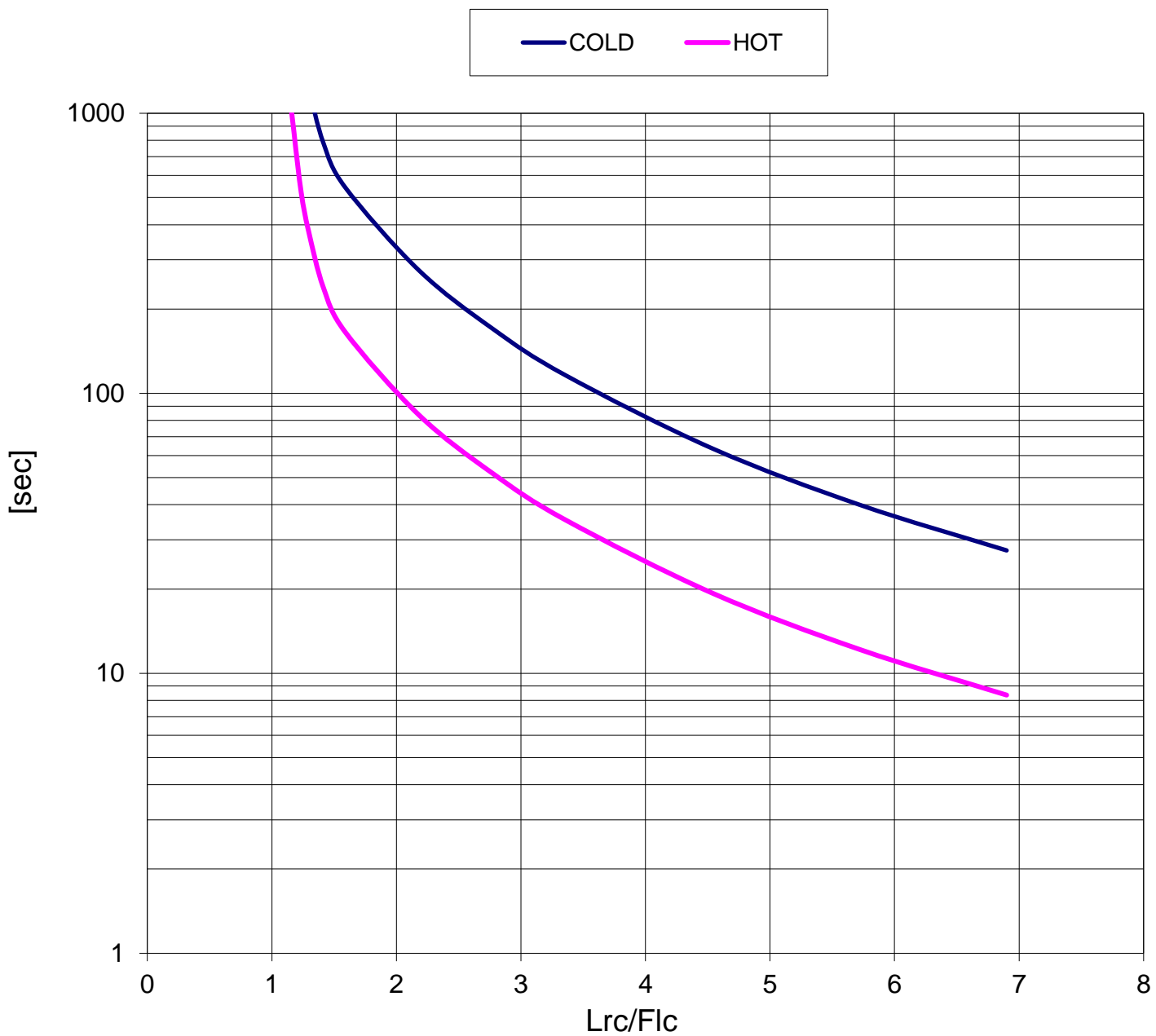


Valori calcolati - Data obtained by calculation method

**CURVA LIMITE CORRENTE TEMPO
THERMAL WITHSTAND CURVE**

Cliente / Customer -
 Ordine cliente / Customer order -
 Impianto / Plant -
ITEM -
 Conferma ordine / Acknowledgment -
 Numero di serie / Serial Number -

Motore / Motor **E3AB30 315S 2**
 Potenza nominale / Rated power 110,00 kW
 Poli / Pole 2
 Tensione - Frequenza / Voltage - Frequency 400 - 50 V - Hz
 Corrente / Rated current 186,36 A
 Velocità / Speed 2983 rpm
 Coppia / Torque 352,14 Nm



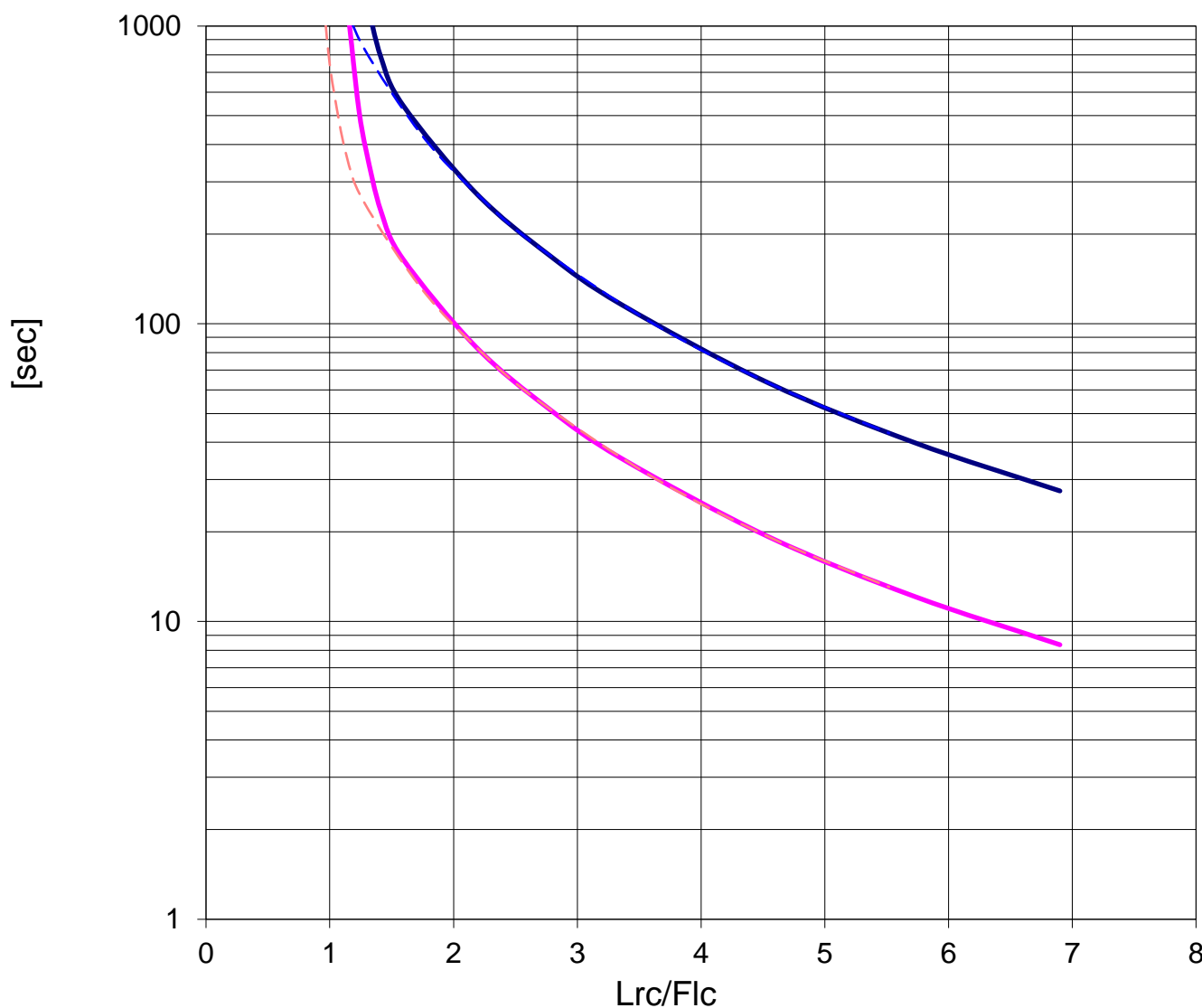
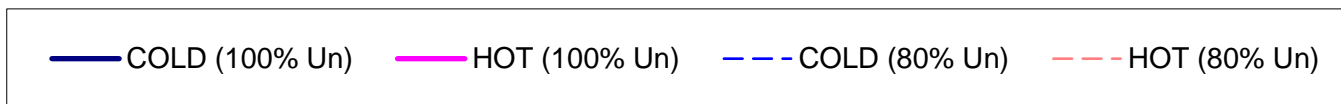
Valori calcolati - Data obtained by calculation method

CURVA LIMITE CORRENTE TEMPO (Tensione ridotta)
THERMAL WITHSTAND CURVE (Reduced voltage)

Cliente / Customer -
 Ordine cliente / Customer order -
 Impianto / Plant -
ITEM -

 Conferma ordine / Acknowledgment -
 Numero di serie / Serial Number -

| | | |
|--|----------------------|--------|
| Motore / Motor | E3AB30 315S 2 | |
| Potenza nominale / Rated power | 110,00 | kW |
| Poli / Pole | 2 | |
| Tensione - Frequenza / Voltage - Frequency | 400 - 50 | V - Hz |
| Corrente / Rated current | 186,36 | A |
| Velocità / Speed | 2983 | rpm |
| Coppia / Torque | 352,14 | Nm |



Valori calcolati - Data obtained by calculation method