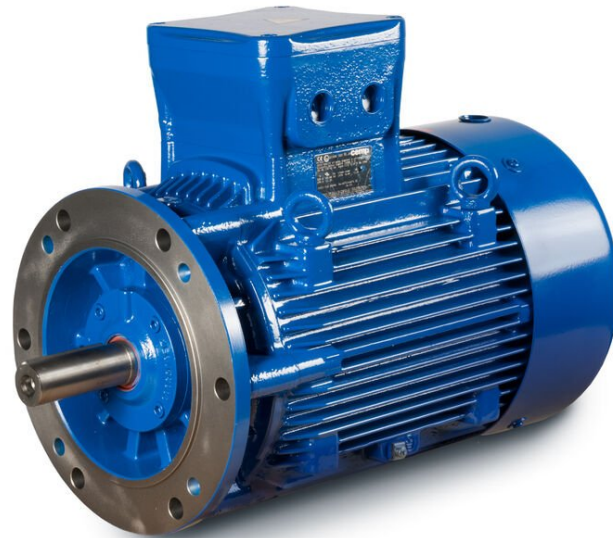


PRODUCT INFORMATION PACKET

Model No: E3AB3002207B50D41100

Catalog No: E3AB3002207B50D41100

Made in Italy E3AB30 Series, General Purpose Low Voltage IEC motor IE3, Flameproof, 45,00kW,
3 phase, 2976 RPM, D400/Y690V 50Hz, 200LC Frame B5, 2 Poles, IC411, Higher Output Motor



Regal and are trademarks of Regal Rexnord Corporation or one of its affiliated companies.
©2022 Regal Rexnord Corporation, All Rights Reserved. MC017097E

Nameplate Specifications

Output HP	60 Hp	Output KW	45.0 kW
Frequency	50 Hz	Voltage	400/690 V
Current	77.9 A	Speed	2976 rpm
Service Factor	1	Phase	3
Efficiency	94 %	Power Factor	0.89
Duty	S1	Insulation Class	F
Frame	200LC	Enclosure	Totally Enclosed Fan Cooled
Ambient Temperature	40 °C	Drive End Bearing Size	6312
Opp Drive End Bearing Size	6312	UL	No
CSA	No	CE	Yes
IP Code	IP55	Number of Speeds	1

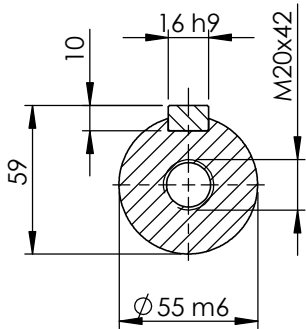
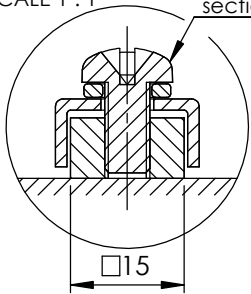
Technical Specifications

Electrical Type	Squirrel Cage	Starting Method	Direct On Line
Poles	2	Rotation	Bi-Directional
Mounting	B5	Motor Orientation	Horizontal
Drive End Bearing	Zz C3	Opp Drive End Bearing	Zz C3
Frame Material	Cast Iron	Shaft Type	Keyed
Overall Length	1060.00 mm	Frame Length	525.00 mm
Shaft Diameter	55.000 mm	Shaft Extension	110 mm
Assembly/Box Mounting	Top		
Outline Drawing	B5A04E8200001B01	Connection Drawing	SC-01-T-1v-1a

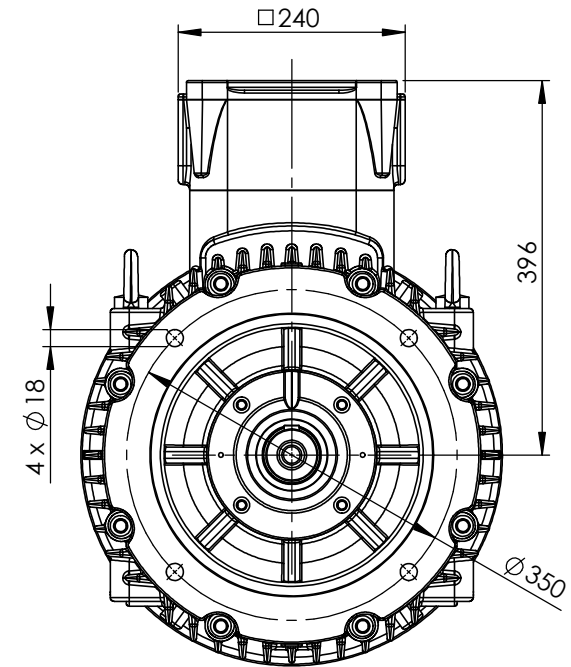
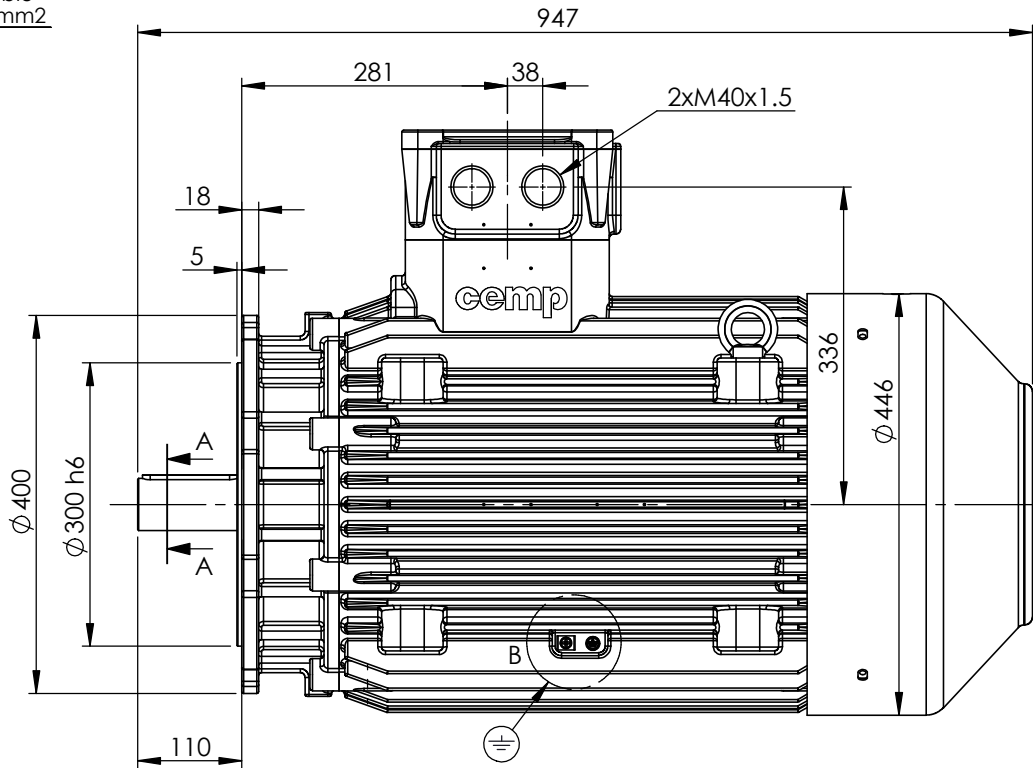
This is an uncontrolled document once printed or downloaded and is subject to change without notice. Date Created:09/17/2022

DETAIL B
SCALE 1 : 1

Earth Terminal
suitable for cable
section 2.5-35mm²



SECTION A-A
SCALE 1 : 3



Earth terminal: 1 in the terminal box, 2 on the frame.

CUSTOMER REFERENCE AND ADDITIONAL INFORMATION:

MOTOR TYPE AND DESCRIPTION:

DRAWING REVISION	REVISION BY	DATE
ECO	APPROVED BY	DATE

ECO DESCRIPTION

COPYRIGHT CEMP Srl. ALL RIGHTS RESERVED.
PROPRIETARY AND CONFIDENTIAL INFORMATION - THIS DOCUMENT IS THE PROPERTY OF CEMP Srl. ("OWNER") AND CONTAINS OWNER'S PROPRIETARY INFORMATION. ANY PERSON, CORPORATION OR OTHER FIRM RECEIVING IT IS DEEMED, BY RECEIVING IT, TO AGREE THAT IT, AND/OR ANY PART OF IT, SHALL NOT BE DISCLOSED TO ANY PERSON, CORPORATION OR OTHER ENTITY, DUPLICATED, AND/OR USED, EXCEPT AS EXPRESSLY APPROVED IN WRITING IN ADVANCE BY OWNER. THIS DOCUMENT SHALL BE RETURNED TO OWNER UPON REQUEST. IT MAY BE SUBJECT TO CERTAIN RESTRICTIONS UNDER APPLICABLE EXPORT CONTROL LAWS AND REGULATIONS.



TOLERANCES (EXCEPT AS NOTED)
TOLERANCES: ±2
* TOLERANCES: ±0.8
DIMENSIONS ARE IN mm
ACCORDING TO IEC 60072

SERIAL NUMBER

DRAWN BY	LP
DATE	27/12/2016
APPROVED BY	DP
DATE	27/12/2016
REFERENCE	

FIRST ANGLE PROJECTION



 	
DESCRIPTION	
<p>Motor A200 LB/LC (L) B5 IE3</p>	
SIZE	DRAWING NUMBER
A4	B5A04E8200001B01
SHEET	
1 OF 2	

Schema di collegamento - *Connection diagram*
Schemas de branchement - *Schaltplän*
Esquemas de conexión



DTE 01/01/2004
SC - 01 - T - 1v.doc

**Motori trifase una velocità - *Single speed, three phase motors* - Moteurs triphasé une vitesse
Drehstrommotor Eine Drehzahlstufe - Motores trifásico una velocidad**



L1 - L2 - L3 = Linea - *Supply* - Reseau - *Netz* - Red
Per invertire la rotazione invertire due fasi - *To change the rotation reverse two phases* - Pour changer le sens de rotation inverser deux phases - *Zur Drehrichtungsänderung zwei Phasen vertauschen* - Para invertir el sentido de rotación invertir dos fases

Marcatura Morsetti Ausiliari - <i>Additional terminals marking (IEC60034-8)</i>		
Marcatura <i>Marking</i>	No. morsetti <i>terminals</i>	Morsetto ausiliare per: <i>Additional terminal for:</i>
TP1A - TP2A (allarme- <i>warning</i>)	2	Termistori PTC (alta velocità) - <i>Thermistor PTC (high speed) [*]</i>
TP1B - TP2B (allarme- <i>warning</i>)	2	Termistori PTC (bassa velocità) - <i>Thermistor PTC (low speed) [*]</i>
R1 - R2 - R3 (I sensore - <i>sensor</i>)	3	
R4 - R5 - R6 (II sensore - <i>sensor</i>)	3	Termistore PT100 3 fili - <i>Thermistor PT 100 with 3 wires</i>
R7 - R8 - R9 (III sensore - <i>sensor</i>)	3	
R11 - R12 - R13 (anteriore - <i>DE</i>)	3	
R21 - R22 - R23 (posteriore - <i>NDE</i>)	3	Termistore PT100 su cuscinetto - <i>Thermistor PT 100 on bearing</i>
TB1 - TB2 (allarme- <i>warning</i>)	2	Protettore bimetallico normalmente chiuso -
TB3 - TB4 (intervento- <i>switch off</i>)	2	<i>Normally closed bi-metallic switch (**)</i>
TB8 - TB9 (intervento- <i>switch off</i>)	2	Protettore bimetallico del freno normalmente chiuso -
		<i>NC brake bi-metallic switch (**)</i>
TM1 - TM2 (allarme- <i>warning</i>)	2	Protettore bimetallico normalmente aperto -
TM3 - TM4 (intervento- <i>switch off</i>)	2	<i>Normally open bi-metallic switch (**)</i>
HE1- HE2	2	Resistenze riscaldanti - <i>Space heaters</i>
U1 - U2	2	Ventilazione ausiliaria monofase - <i>Single phase forced ventilation</i>
U - V - W	2	Ventilazione ausiliaria trifase - <i>Three phase forced ventilation</i>
colori secondo schema del produttore - <i>colours according manufacturer</i>	9	Encoder
CA1 - CA2	2	Condensatore - <i>Capacitor</i>
PE	1	Conduttore di terra - <i>Earth cable</i>

[*] U nominale - *U rated* = 6V - max 30V(**) U nominale - *U rated* = 250V

FOGLIO DATI PER MOTORI ELETTRICI ASINCRONI TRIFASI : SERIE IEC
DATA SHEET FOR ASYNCHRONOUS THREEPHASE INDUCTION MOTORS: IEC SERIES

Cliente / Customer	CEMP
Offerta / Offer	: 2021.
Impianto / Plant	-

DATI DI PROGETTO - DESIGN DATA

Modo di protezione	II2G	Motore / Frame
Type of protection		Scatola morsetti / Terminal box
Tem. Amb. Min. / Min Amb. Temp.	-20 °C	
Umidità relativa / Relative humidity	90%	
Tensione nominale / Rated Voltage	400 V ± 5%	

Ex-db IIB T4 Gb	IP55
Ex-db IIB Gb	IP55
Tem. Amb. Max. / Max Amb. Temp.	40 °C
Altitudine / Altitude	< 1000 mslm / masl
Frequenza / Frequency	50 Hz ± 2%

DATI FUNZIONALI E COSTRUTTIVI - PERFORMANCE AND CONSTRUCTION DATA

1	Quantità / Quantity		01
2	Motore tipo / Motor type		E3AB30 200LC 2
3	Numero di serie / Serial Number		-
4	Forma costruttiva / Shape		B5
5	Certificato / Certificate	TÜV CY	17 ATEX 0205845 X
6	Altro certificato / Other certificate		
Dati nominali / Rated data			
7	Poli / Pole	n°	2
8	Potenza nominale / Rated power	kW	45,00
9	Corrente nominale / Rated current	A	78,74
10	Velocità nominale / Full Load speed	1/min	2966
11	Collegamento / Winding connection		D
12	Isolamento / Insulation class		F
13	Sovratemperatura / Temperature rise		80K
14	Raffreddamento / Cooling type		IC411
15	Fattore di servizio / Service factor		1
16			
17	Classe di rendimento / Efficiency level	IEC 34-30	IE3
Performances elettriche / Electrical performances			
Carico / Load		4/4	3/4
18	Giri / Speed	1/min	2966
19	Corr. / Curr.	A	78,74
20	Rend / Eff	%	94,4
21	cos φ	-	0,87
Performances all'avviamento / Starting performances			
22	Ia/In - LRC/FLC	%	690
23	Cosphi a rotore bloccato / LR power factor		0,38
Tempo a rotore bloccato / LRWT			
24	100% Un (A caldo / Warm)	sec	10
25	(A freddo / Cold)	sec	34
26	80% Un (A caldo / Warm)	sec	16
27	(A freddo / Cold)	sec	53
Tempo di avviamento ammissibile / ART			
28	100% Un	sec	29
29	80% Un	sec	46
Curva di coppia / Speed-torque values			
30	Coppia nominale / Rated Torque	Nm	144,90
31	Ca/Cn - LRT/FLT	%	215
32	Cmax/Cn - BDT/FLT	%	310
33			
34			
35			
Varie / Other			
36			
37			
38			
39			

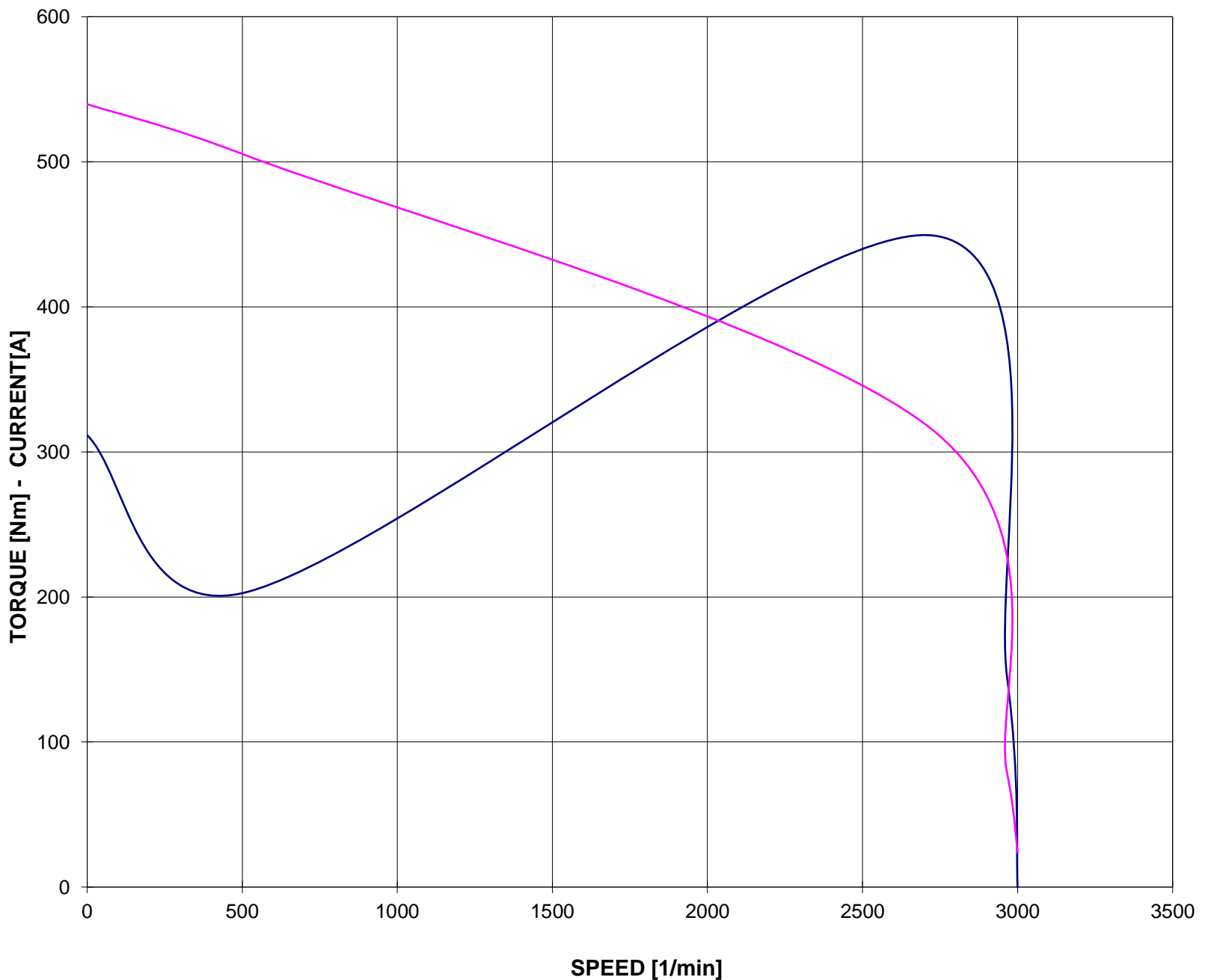
Servizio / Duty			
40	Servizio / Duty type	-	S1
41	Intermittenza / Cyclic duration factor	-	-
42	Avviamenti-ora / Starting-hour	-	-
43	Tempo ciclo / Time		-
Cuscinetti / Bearings			
44	Cuscinetto ant / DE bearing	-	6312 ZZ C3
45	Cuscinetto post / NDE bearing	-	6312 ZZ C3
46	Carico radiale max / Max radial load in X1	N	4300
47	Carico assiale max / Max axial load	N	1160
48	Tipo grasso / Grease type	LGHP2 SKF or equivalent	
49	Intervallo lubrificazione / Lubrication	h	-
50	Quantità grasso / Quantity grease	gr	-
Caratteristiche meccaniche / mechanical specification			
51	Massa / Mass	kg	433,5
52	Momento d'inerzia / Moment of inertia	kgm2	0,2541
53	Rumore a vuoto / Noise at no load (1 m)	Lp dB(A)	79
54	Vibrazioni / Vibration level	IEC 34-14	A
55	Limite norma / Vibration limit	mm/sec	2,20
56			
57			
Dati entrata cavi - verniciatura / Cable entry and painting			
63	Entrata cavi / Cable entry		2xM40
64	Ciclo verniciatura / Painting cycle		STD
65	Colore finale / Final colour	RAL	5010
66			
67			
68			
69			
70			
71			
Ausiliari - Auxiliaries			
72	Sonde termiche / Temperature detector	winding	-
73	Sonde termiche / Temperature detector	bearing	-
74	Scaldiglie / Heaters	V / W	-
75	Preparation for SPM sensor		-
76	Pressacavi / Cable glands		NO
77			

**CURVA COPPIA/CORRENTE-GIRI
TORQUE/CURRENT-SPEED DIAGRAM**

Cliente / Customer	CEMP
Impianto / Plant	-
ITEM	-
Numero d'offerta / Offer Number	2021.
	-

Motore / Motor	E3AB30 200LC 2	
Potenza nominale / Rated power	45,00	kW
Poli / Pole	2	
Tensione - Frequenza / Voltage - Frequency	400 - 50	V - Hz
Corrente / Rated current	78,74	A
Velocità / Speed	2966	rpm
Coppia / Torque	144,90	Nm

— COPPIA - TORQUE — CORRENTE - CURRENT



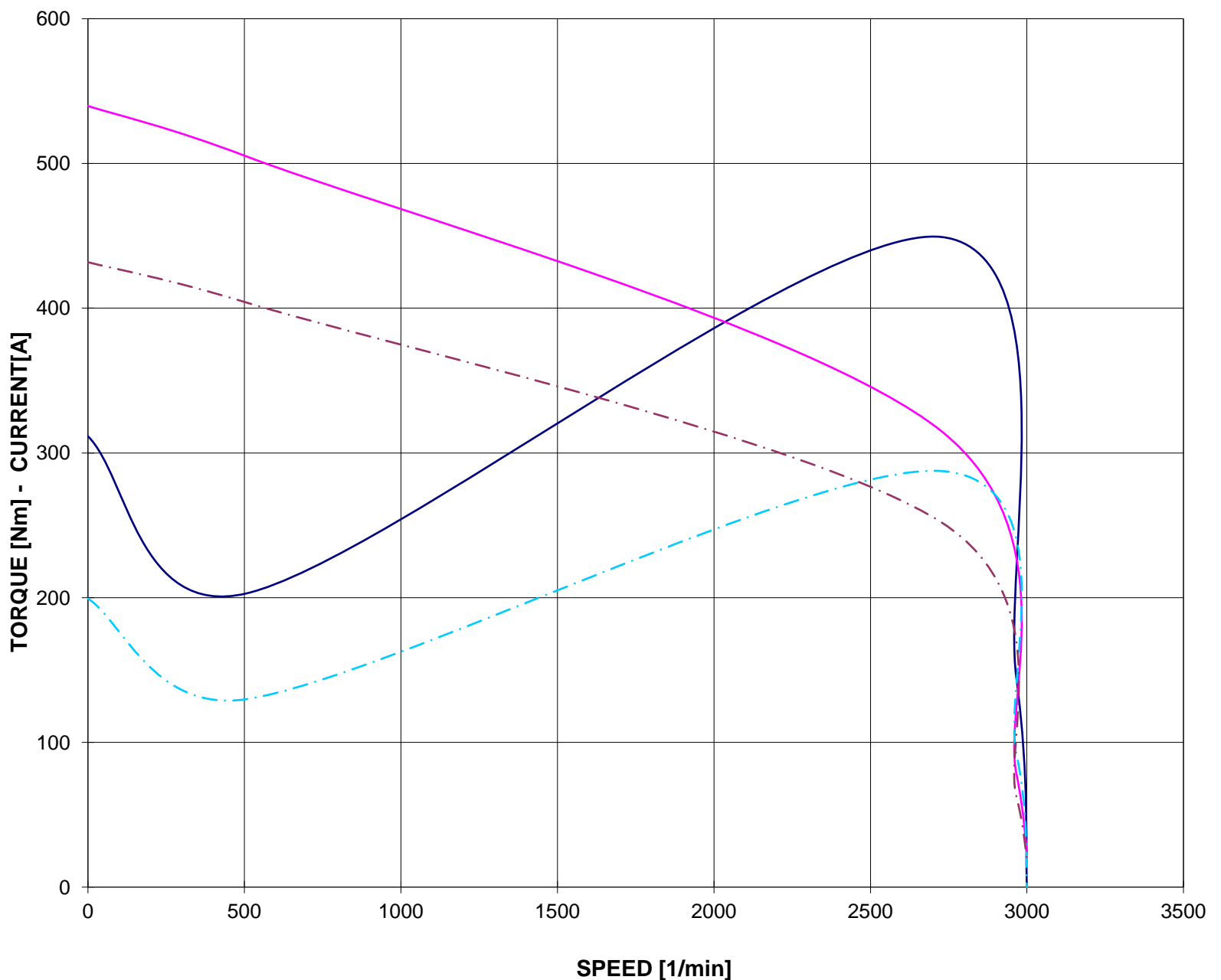
Valori calcolati - Data obtained by calculation method

CURVA COPPIA/CORRENTE-GIRI (Tensione ridotta)
TORQUE/CURRENT-SPEED DIAGRAM (Reduced voltage)

Cliente / Customer	CEMP
Impianto / Plant	-
ITEM	-
Numero d'offerta / Offer Number	2021.
	-

Motore / Motor	E3AB30 200LC 2	
Potenza nominale / Rated power	45,00	kW
Poli / Pole	2	
Tensione - Frequenza / Voltage - Frequency	400 - 50	V - Hz
Corrente / Rated current	78,74	A
Velocità / Speed	2966	rpm
Coppia / Torque	144,90	Nm

— COPPIA - TORQUE	— CORRENTE - CURRENT
- - - COPPIA - TORQUE 80% Un	- - - CORRENTE - CURRENT 80% Un

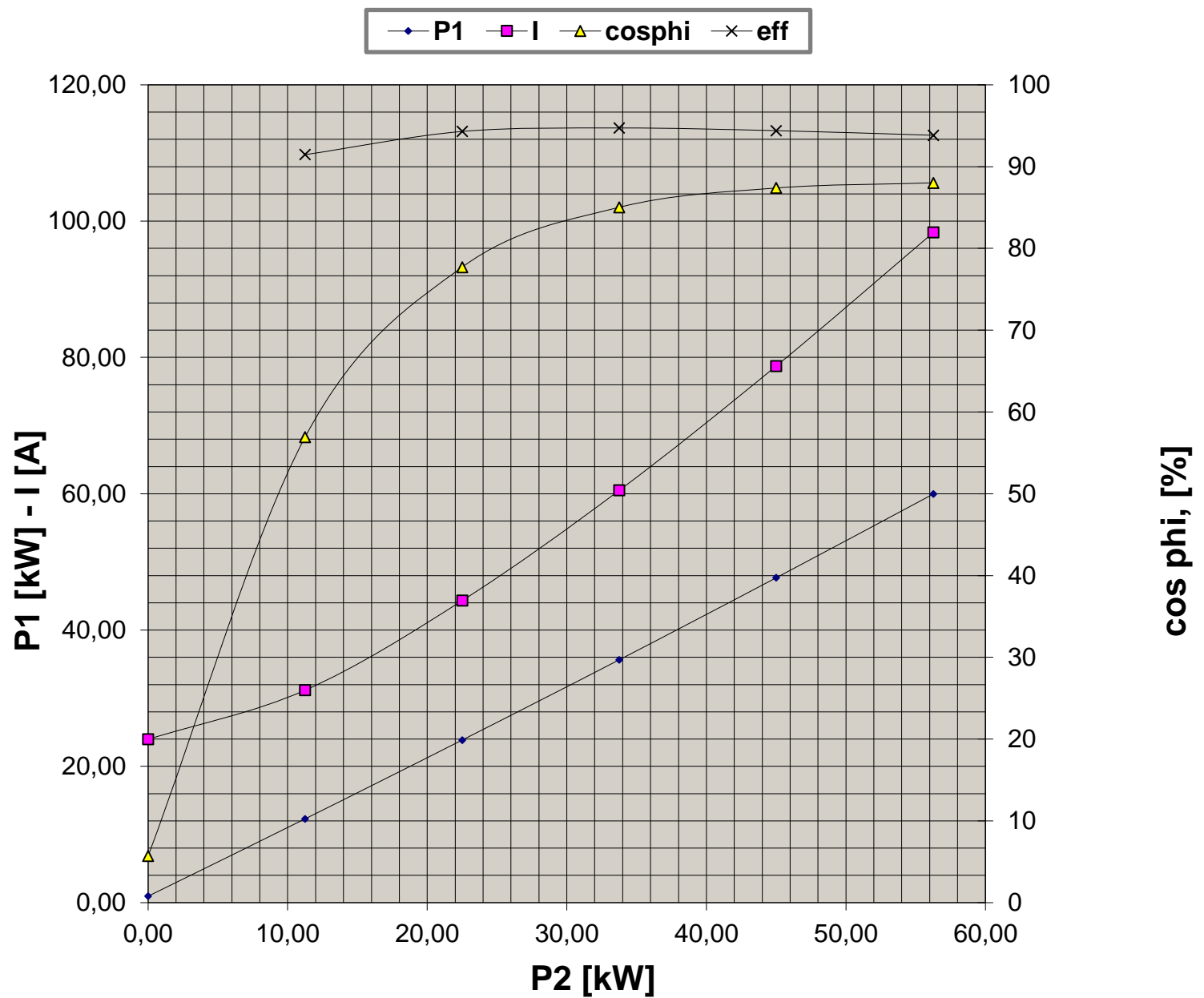


Valori calcolati - Data obtained by calculation method

**CURVE CARATTERISTICHE
PERFORMANCE CURVES**

Cliente / Customer CEMP
 Impianto / Plant -
ITEM -
 Numero d'offerta / Offer Number 2021.
 -

Motore / Motor E3AB30 200LC 2
 Potenza nominale / Rated power 45,00 kW
 Poli / Pole 2
 Tensione - Frequenza / Voltage - Frequency 400 - 50 V - Hz
 Corrente / Rated current 78,74 A
 Velocità / Speed 2966 rpm
 Coppia / Torque 144,90 Nm

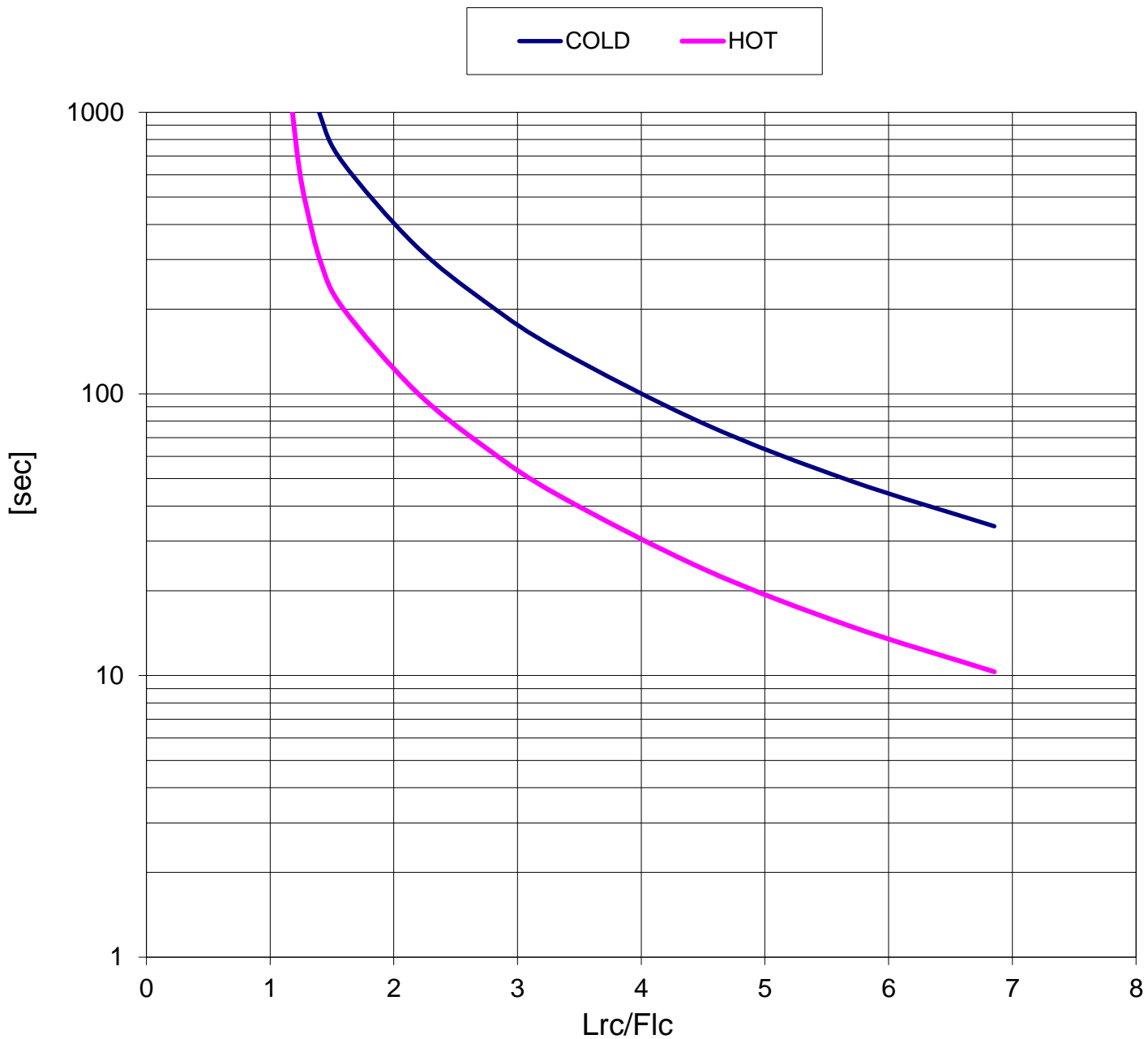


Valori calcolati - Data obtained by calculation method

CURVA LIMITE CORRENTE TEMPO
THERMAL WITHSTAND CURVE

Cliente / Customer	CEMP
Impianto / Plant	-
ITEM	-
Numero d'offerta / Offer Number	2021.
	-

Motore / Motor	E3AB30 200LC 2	
Potenza nominale / Rated power	45,00	kW
Poli / Pole	2	
Tensione - Frequenza / Voltage - Frequency	400 - 50	V - Hz
Corrente / Rated current	78,74	A
Velocità / Speed	2966	rpm
Coppia / Torque	144,90	Nm



Valori calcolati - Data obtained by calculation method

CURVA LIMITE CORRENTE TEMPO (Tensione ridotta)
THERMAL WITHSTAND CURVE (Reduced voltage)

Cliente / Customer CEMP

Impianto / Plant -
ITEM -

Numero d'offerta / Offer Number 2021.
-

Motore / Motor E3AB30 200LC 2

Potenza nominale / Rated power 45,00 kW

Poli / Pole 2

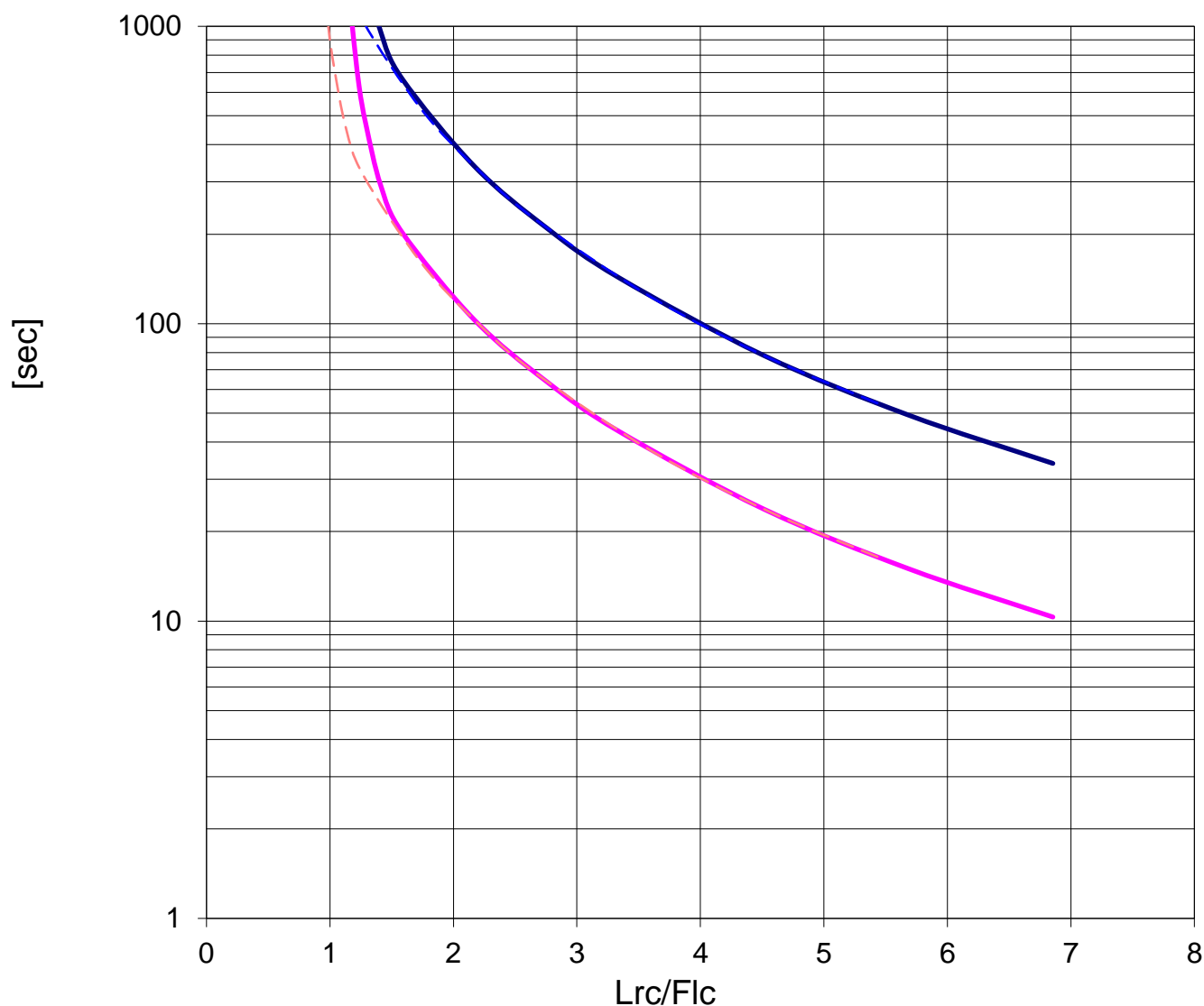
Tensione - Frequenza / Voltage - Frequency 400 - 50 V - Hz

Corrente / Rated current 78,74 A

Velocità / Speed 2966 rpm

Coppia / Torque 144,90 Nm

— COLD (100% Un) — HOT (100% Un) - - - COLD (80% Un) - - - HOT (80% Un)



Valori calcolati - Data obtained by calculation method