

PRODUCT INFORMATION PACKET



Model No: CPO45

Catalog No: CPO45

7 1/2 HP Close-Coupled Pump Motor, 3 phase, 3600 RPM, 208-230/460 V, 184JM Frame, ODP
Close-Coupled Pump Motors



Regal and Century are trademarks of Regal Rexnord Corporation or one of its affiliated companies.

©2021 Regal Rexnord Corporation, All Rights Reserved. MC017097E





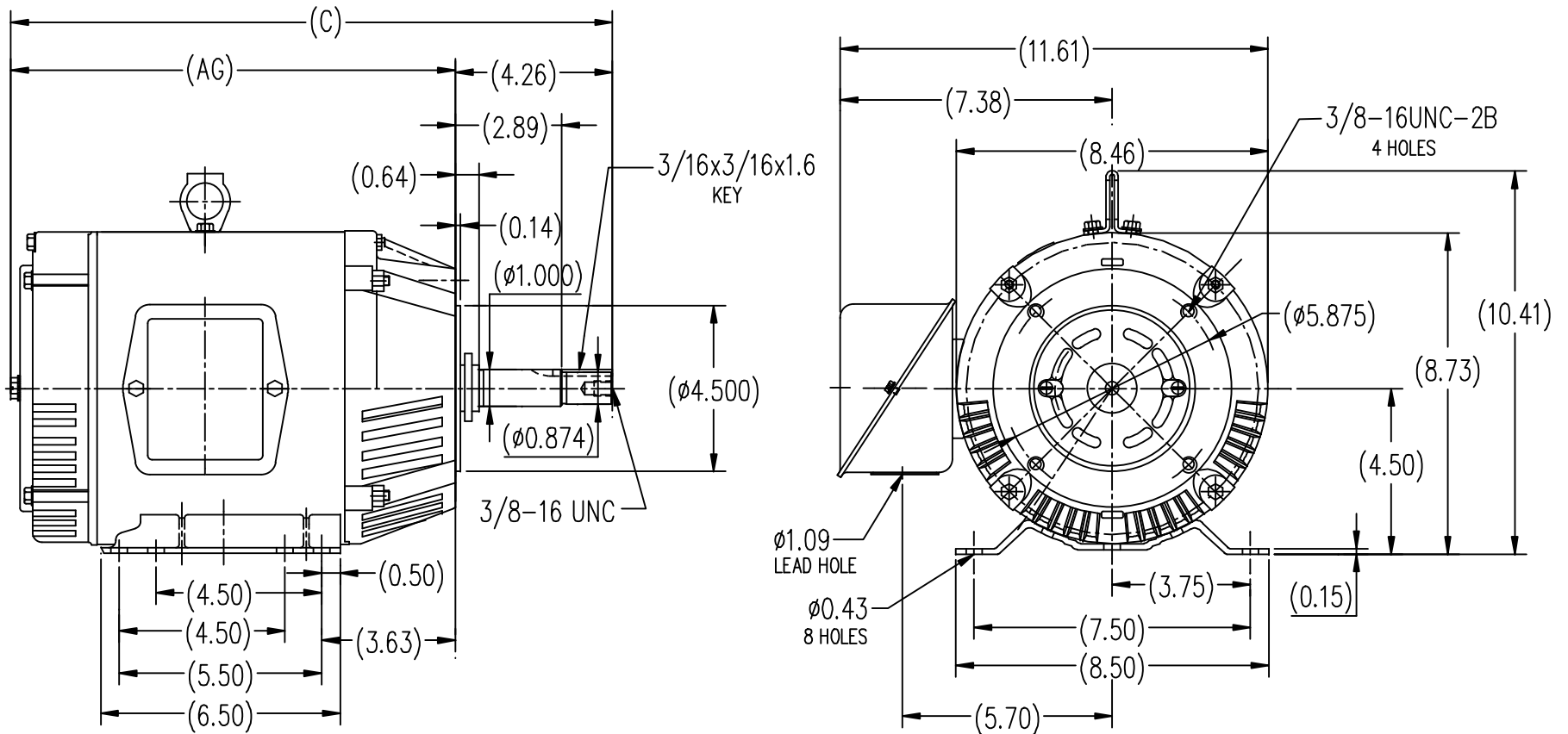
Nameplate Specifications

Output HP	7 1/2 Hp	Output KW	5.6 kW
Frequency	60 Hz	Voltage	208-230/460 V
Current	19-17/8.5 A	Speed	3510 rpm
Service Factor	1.15	Phase	3
Duty	Continuous	Insulation Class	F
Frame	184JM	Enclosure	Drip Proof
Thermal Protection	None	Ambient Temperature	40 °C
UL	Recognized	CSA	Y
CE	Y	Number of Speeds	1

Technical Specifications

Electrical Type	POLYPHASE	Starting Method	Across The Line
Poles	2	Rotation	Reversible
Mounting	Rigid Base	Drive End Bearing	Ball
Opp Drive End Bearing	Ball	Frame Material	Rolled Steel
Shaft Type	Keyed	Overall Length	17.37 in
Frame Length	7.75 in	Shaft Diameter	1.000 in
Shaft Extension	4.26 in		
Connection Drawing	A-EE7308	Outline Drawing	SS620311

This is an uncontrolled document once printed or downloaded and is subject to change without notice. Date Created:10/12/2021



182T	12.09	16.34
184T	13.11	17.37
FRAME	AG	C

		TOLERANCES UNLESS SPECIFIED		REGAL-BELOIT CORPORATION		DRAWN ZYH 6-9-2010			
		DEC.	INCHES			CHK	HZJ 6-9-2010		
		.X	±.1	TITLE OUTLINE 182/184T FR-JM-ROLLED STEEL		APPD	CL 6-9-2010		
		.XX	±.03			SCALE	1-4		
		.XXX	±.005			REF			
1	CORRECT THE ID FOR AG & C DIM WAS B1 & B	MOD1-09-2012	.XXXX	±.0005	MAT'L	FMF	HWADA		
	REVISION	BY & DATE	CHK	ANG	FINISH	PREV			
THIS DRAWING IN DESIGN AND DETAIL IS OUR PROPERTY AND MUST NOT BE USED EXCEPT IN CONNECTION WITH OUR WORK ALL RIGHTS OF DESIGN AND INVENTION ARE RESERVED THIS IS AN ELECTRONICALLY GENERATED DOCUMENT - DO NOT SCALE THIS PRINT				RFP	CAD FILE	SS620311	SIZE	DRAWING NO.	REV.
				DIST			B	SS620311	1

EE7308

THREE PHASE
DUAL VOLTAGE MOTOR



VIEW OF TERMINAL END

REF.
WINDING DIAGRAM

T8Y, T2Y, T2BL, T4BX, T2EC, T2G
T6BZ, T2B, T6BL, T4AV, T6B, T4B

OPTIONAL CORD
CONNECTION

L1 — WHITE
L2 — RED
L3 — BLACK

NO.	REVISION	BY & DATE	CHK	ANG	TOLERANCES UNLESS SPECIFIED		FINISH	DRAWN RM 11/20/1990				
					DEC.	INCHES						
5	CHG TO REGAL LOGO	SL 09/10/2015	AB					CHK ML 11/21/1990				
4	REVISED IEC NOTATIONS	MSG 11/15/2011	CMN	.X	±.1			APPD SAS 04/24/2003				
3	ADDED IEC NOTATIONS... (U1), (V1) ETC. MU95194	MSG 5/10/2010	MJS	.XX	±.02		TITLE CONNECTION DIAGRAM	SCALE 1=1				
2	ADDED THE OPTIONAL CORD CONNECTION MU46318	RDH 04/24/2003	DRS	.XXX	±.005		3Ø - DUAL VOLTAGE MOTOR	REF				
1	REDRAWN	RM 11/20/1990		.XXXX	±.0005		MAT'L.	FMF				
					±7'30"			PREV				
THIS DRAWING IN DESIGN AND DETAIL IS OUR PROPERTY AND MUST NOT BE USED EXCEPT IN CONNECTION WITH OUR WORK ALL RIGHTS OF DESIGN AND INVENTION ARE RESERVED THIS IS AN ELECTRONICALLY GENERATED DOCUMENT - DO NOT SCALE THIS PRINT							RFP	CAD FILE ee7308	SIZE A	DRAWING NO. EE7308	PAGE OF 5	REV. 5
							DIST WP					



Regal Beloit America, Inc.