

PRODUCT INFORMATION PACKET



Model No: CPO33

Catalog No: CPO33

Close-Coupled Pump Motor, 5 HP, 3 Ph, 60 Hz, 208-230/460 V, 1800 RPM, 184JP Frame, ODP



Regal and Century are trademarks of Regal Rexnord Corporation or one of its affiliated companies.

©2023 Regal Rexnord Corporation, All Rights Reserved. MC017097E





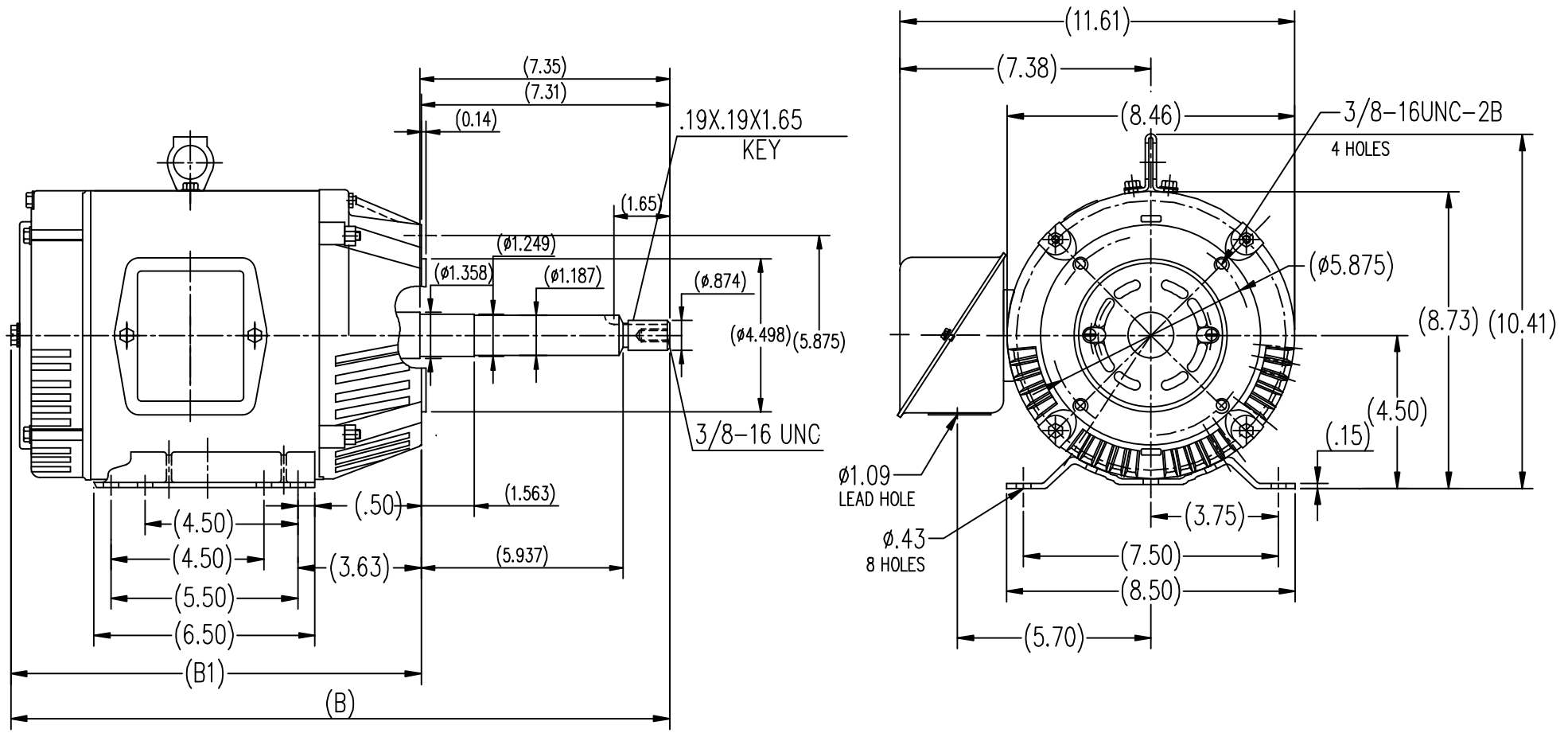
Nameplate Specifications

Phase	3	Output HP	5 Hp
Output KW	3.7 kW	Voltage	208-230/460 V
Speed	1750 rpm	Service Factor	1.15
Frame	184JP	Enclosure	Open Drip Proof
Thermal Protection	No Protection	Ambient Temperature	40 °C
Frequency	60 Hz	Current	14.2-12.8/6.4 A
Duty	Continuous	Insulation Class	F
UL	Recognized	CSA	Y
Number of Speeds	1		

Technical Specifications

Electrical Type	POLYPHASE	Starting Method	Across The Line
Poles	4	Rotation	Reversible
Mounting	Rigid Base	Drive End Bearing	Ball
Opp Drive End Bearing	Ball	Frame Material	Rolled Steel
Shaft Type	Keyed	Overall Length	15.64 in
Frame Length	7.75 in	Shaft Diameter	1.249 in
Shaft Extension	4.25 in		
Connection Drawing	A-EE7308	Outline Drawing	SS620570

This is an uncontrolled document once printed or downloaded and is subject to change without notice. Date Created:08/24/2023



182T	12.09	19.44
184T	13.11	20.46
FRAME	B1	B

TOLERANCES UNLESS SPECIFIED		REGAL-BELOIT CORPORATION		DRAWN ZXC 05-17-2012
DEC.	INCHES	CHK		CHK
.X	±.1			APPD
.XX	±.03		TITLE	SCALE 1=4
.XXX	±.005		ODP-182/184JP FR-ROLLED STEEL	REF
.XXXX	±.0005		MAT'L	FMF HWADA
NO.	REVISION	BY & DATE	CHK	ANG
THIS DRAWING IN DESIGN AND DETAIL IS OUR PROPERTY AND MUST NOT BE USED EXCEPT IN CONNECTION WITH OUR WORK ALL RIGHTS OF DESIGN AND INVENTION ARE RESERVED THIS IS AN ELECTRONICALLY GENERATED DOCUMENT - DO NOT SCALE THIS PRINT			RFP	FINISH
			CAD FILE	PREV
			SS620570	
			SIZE	DRAWING NO.
			B	SS620570
			DIST	REV.

EE7308

THREE PHASE
DUAL VOLTAGE MOTOR



VIEW OF TERMINAL END

REF.
WINDING DIAGRAM

T8Y, T2Y, T2BL, T4BX, T2EC, T2G
T6BZ, T2B, T6BL, T4AV, T6B, T4B

OPTIONAL CORD
CONNECTION

L1 — WHITE
L2 — RED
L3 — BLACK

NO.	REVISION	BY & DATE	CHK	ANG	TOLERANCES UNLESS SPECIFIED		FINISH	DRAWN RM 11/20/1990				
					DEC.	INCHES						
5	CHG TO REGAL LOGO	SL 09/10/2015	AB					CHK ML 11/21/1990				
4	REVISED IEC NOTATIONS	MSG 11/15/2011	CMN	.X	±.1			APPD SAS 04/24/2003				
3	ADDED IEC NOTATIONS... (U1), (V1) ETC. MU95194	MSG 5/10/2010	MJS	.XX	±.02		TITLE CONNECTION DIAGRAM	SCALE 1=1				
2	ADDED THE OPTIONAL CORD CONNECTION MU46318	RDH 04/24/2003	DRS	.XXX	±.005		3Ø - DUAL VOLTAGE MOTOR	REF				
1	REDRAWN	RM 11/20/1990		.XXXX	±.0005		MAT'L.	FMF				
					±7'30"			PREV				
THIS DRAWING IN DESIGN AND DETAIL IS OUR PROPERTY AND MUST NOT BE USED EXCEPT IN CONNECTION WITH OUR WORK ALL RIGHTS OF DESIGN AND INVENTION ARE RESERVED THIS IS AN ELECTRONICALLY GENERATED DOCUMENT - DO NOT SCALE THIS PRINT							RFP	CAD FILE ee7308	SIZE A	DRAWING NO. EE7308	PAGE OF 5	REV. 5
							DIST WP					

