

PRODUCT INFORMATION PACKET



Model No: CPE12

Catalog No: CPE12

1 HP Close-Coupled Pump Motor, 3 phase, 3600 RPM, 208-230/460 V, 143JM Frame, TEFC
Close-Coupled Pump Motors



Regal and Century are trademarks of Regal Rexnord Corporation or one of its affiliated companies.
©2021 Regal Rexnord Corporation, All Rights Reserved. MC017097E





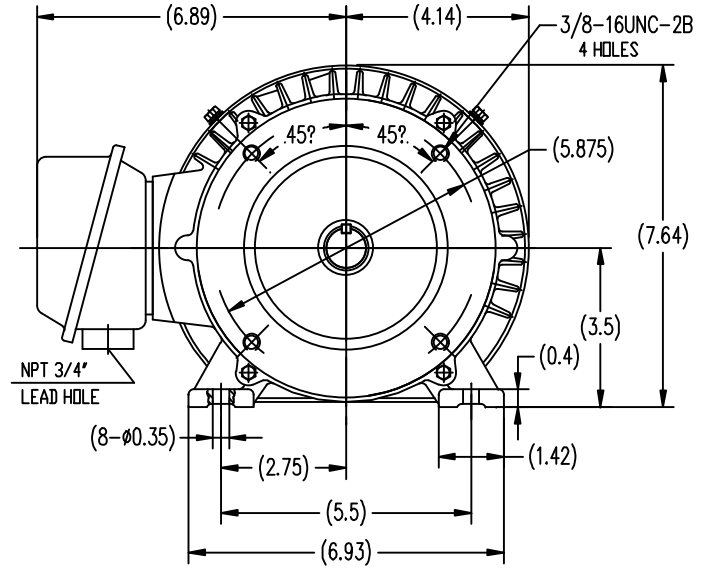
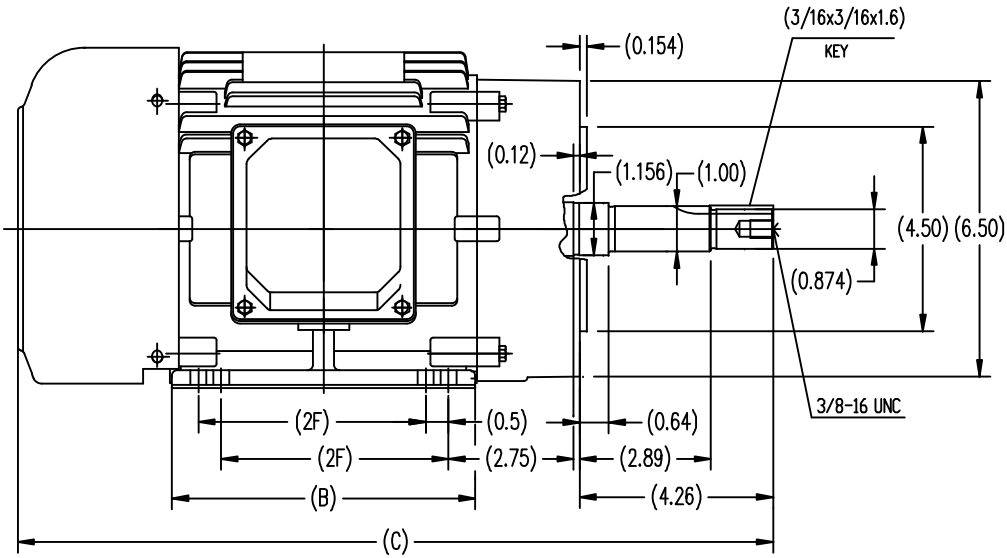
Nameplate Specifications

| | | | |
|--------------------|---------------|---------------------|-----------------------------|
| Output HP | 1 Hp | Output KW | 0.75 kW |
| Frequency | 60 Hz | Voltage | 208-230/460 V |
| Current | 2.9-2.6/1.3 A | Speed | 3475 rpm |
| Service Factor | 1.15 | Phase | 3 |
| Duty | Continuous | Insulation Class | F |
| Frame | 143JM | Enclosure | Totally Enclosed Fan Cooled |
| Thermal Protection | None | Ambient Temperature | 40 °C |
| UL | Recognized | CSA | Y |
| CE | Y | Number of Speeds | 1 |

Technical Specifications

| | | | |
|-----------------------|------------|--------------------|-----------------|
| Electrical Type | POLYPHASE | Starting Method | Across The Line |
| Poles | 2 | Rotation | Reversible |
| Mounting | Rigid Base | Drive End Bearing | Ball |
| Opp Drive End Bearing | Ball | Frame Material | Cast Iron |
| Shaft Type | Keyed | Overall Length | 15.75 in |
| Frame Length | 5.75 in | Shaft Diameter | 1.156 in |
| Shaft Extension | 4.26 in | | |
| Outline Drawing | SS620615 | Connection Drawing | A-EE7308 |

This is an uncontrolled document once printed or downloaded and is subject to change without notice. Date Created:10/07/2021



| | | | |
|-------|-------|------|----|
| 143T | 15.75 | 5.71 | 4 |
| 145T | 16.75 | 6.69 | 5 |
| FRAME | C | B | 2F |

| | | TOLERANCES UNLESS SPECIFIED | | REGAL REGAL-BELOIT CORPORATION | | DRAWN WY 7-28-2012 | |
|--|----------|-----------------------------|--------|--------------------------------|----------|--------------------|-------------|
| | | DEC. | INCHES | | | CHK | |
| | | .X | ±.1 | | | APPD | |
| | | .XX | ±.03 | TITLE | | SCALE | |
| | | .XXX | ±.005 | 143/145JM FR TEFC-CAST IRON | | REF | |
| | | .XXXX | ±.0005 | MAT'L. | | FMF HWADA | |
| NO. | REVISION | BY & DATE | CHK | ANG | FINISH | PREV | |
| THIS DRAWING IN DESIGN AND DETAIL IS OUR PROPERTY AND MUST NOT BE USED EXCEPT IN CONNECTION WITH OUR WORK ALL RIGHTS OF DESIGN AND INVENTION ARE RESERVED THIS IS AN ELECTRONICALLY GENERATED DOCUMENT - DO NOT SCALE THIS PRINT | | | | RFP | CAD FILE | SS620615 | SIZE |
| | | | | DIST | | | DRAWING NO. |
| | | | | | | | B |
| | | | | | | | SS620615 |
| | | | | | | | REV. |

EE7308

THREE PHASE
DUAL VOLTAGE MOTOR



VIEW OF TERMINAL END

REF.
WINDING DIAGRAM

T8Y, T2Y, T2BL, T4BX, T2EC, T2G
T6BZ, T2B, T6BL, T4AV, T6B, T4B

OPTIONAL CORD
CONNECTION

L1 — WHITE
L2 — RED
L3 — BLACK

| NO. | REVISION | BY & DATE | CHK | ANG | TOLERANCES UNLESS SPECIFIED | | FINISH | DRAWN RM 11/20/1990 | | | | |
|--|--|----------------|-----|-------|-----------------------------|--------|--------------------------|---------------------|--------|--------------------|-----------|--------|
| | | | | | DEC. | INCHES | | | | | | |
| 5 | CHG TO REGAL LOGO | SL 09/10/2015 | AB | | | | | CHK ML 11/21/1990 | | | | |
| 4 | REVISED IEC NOTATIONS | MSG 11/15/2011 | CMN | .X | ±.1 | | | APPD SAS 04/24/2003 | | | | |
| 3 | ADDED IEC NOTATIONS... (U1), (V1) ETC. MU95194 | MSG 5/10/2010 | MJS | .XX | ±.02 | | TITLE CONNECTION DIAGRAM | SCALE 1=1 | | | | |
| 2 | ADDED THE OPTIONAL CORD CONNECTION MU46318 | RDH 04/24/2003 | DRS | .XXX | ±.005 | | 3Ø - DUAL VOLTAGE MOTOR | REF | | | | |
| 1 | REDRAWN | RM 11/20/1990 | | .XXXX | ±.0005 | | MAT'L. | FMF | | | | |
| | | | | | ±7'30" | | | PREV | | | | |
| THIS DRAWING IN DESIGN AND DETAIL IS OUR PROPERTY AND MUST NOT BE USED EXCEPT IN CONNECTION WITH OUR WORK ALL RIGHTS OF DESIGN AND INVENTION ARE RESERVED THIS IS AN ELECTRONICALLY GENERATED DOCUMENT - DO NOT SCALE THIS PRINT | | | | | | | RFP | CAD FILE ee7308 | SIZE A | DRAWING NO. EE7308 | PAGE OF 5 | REV. 5 |
| | | | | | | | DIST WP | | | | | |

