

# PRODUCT INFORMATION PACKET



Model No: CFR40

Catalog No: CFR40

60 HP General Purpose Motor, 3 phase, 1800 RPM, 208-230/460 V, 364TC Frame, TEFC  
General Purpose Motors



Regal and Century are trademarks of Regal Rexnord Corporation or one of its affiliated companies.  
©2021 Regal Rexnord Corporation, All Rights Reserved. MC017097E





**Nameplate Specifications**

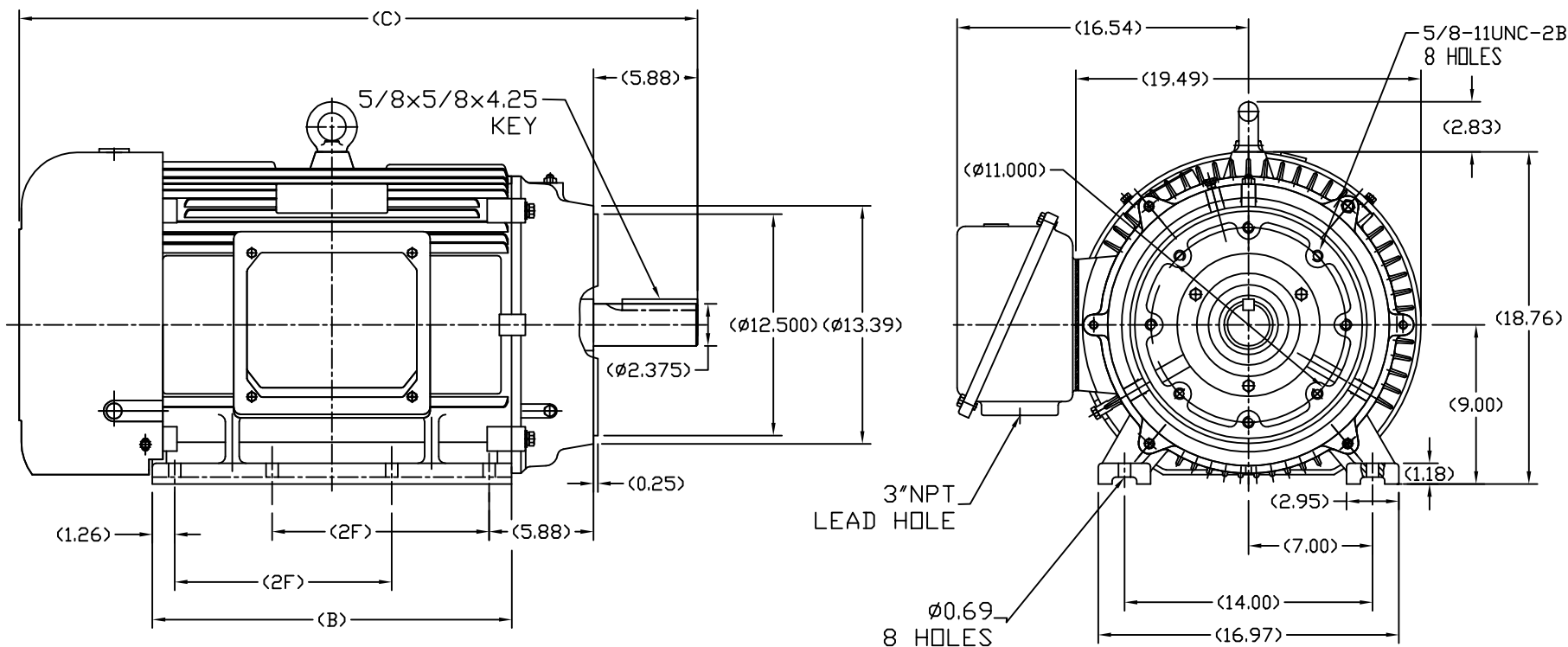
Output HP	<b>60 Hp</b>	Output KW	<b>44.8 kW</b>
Frequency	<b>60 Hz</b>	Voltage	<b>208-230/460 V</b>
Current	<b>153-138/69 A</b>	Speed	<b>1780 rpm</b>
Service Factor	<b>1.15</b>	Phase	<b>3</b>
Duty	<b>Continuous</b>	Insulation Class	<b>F</b>
Frame	<b>364TC</b>	Enclosure	<b>Totally Enclosed Fan Cooled</b>
Thermal Protection	<b>None</b>	Ambient Temperature	<b>40 °C</b>
UL	<b>Recognized</b>	CSA	<b>Y</b>
CE	<b>Y</b>	Number of Speeds	<b>1</b>

**Technical Specifications**

Electrical Type	<b>POLYPHASE</b>	Starting Method	<b>Across The Line</b>
Poles	<b>4</b>	Rotation	<b>Reversible</b>
Mounting	<b>Rigid Base</b>	Drive End Bearing	<b>Ball</b>
Opp Drive End Bearing	<b>Ball</b>	Frame Material	<b>Cast Iron</b>
Shaft Type	<b>Keyed</b>	Overall Length	<b>36.61 in</b>
Frame Length	<b>16.14 in</b>	Shaft Diameter	<b>2.375 in</b>
Shaft Extension	<b>5.88 in</b>		
Connection Drawing	<b>A-EE7308AA</b>	Outline Drawing	<b>SS620305</b>

This is an uncontrolled document once printed or downloaded and is subject to change without notice. Date Created:10/12/2021

SS620305



364TC	36.61	18.50	11.25
365TC	38.39	20.28	12.25
FRAME	C	B	2F

				TOLERANCES UNLESS SPECIFIED		REGAL-BELOIT CORPORATION		DRAWN SY 4-21-2010				
				DEC.	INCHES			CHK	HZJ 4-21-2010			
				.X	±.1			APPD	CL 4-21-2010			
				.XX	±.03	TITLE		SCALE	1=6			
				.XXX	±.005	364/365TC OUTLINE FR-TEFC-CAST IRON		REF				
				.XXXX	±.0005	MAT'L.		FMF	HWADA			
ND.	REVISION	BY & DATE	CHK	ANG	±1/2	FINISH		PREV				
THIS DRAWING IN DESIGN AND DETAIL IS OUR PROPERTY AND MUST NOT BE USED EXCEPT IN CONNECTION WITH OUR WORK ALL RIGHTS OF DESIGN AND INVENTION ARE RESERVED THIS IS AN ELECTRONICALLY GENERATED DOCUMENT - DO NOT SCALE THIS PRINT							RFP	CAD FILE	SS620305	SIZE	DRAWING NO.	REV.
							DIST			B	SS620305	



### LOW VOLTAGE



### HIGH VOLTAGE



### VIEW OF TERMINAL END

DRAWING REVISION <b>K</b>	REVISION BY <b>AJW</b>	DATE <b>07-17-2015</b>
ECO <b>ECO-0081632</b>	APPROVED BY <b>T. VUE</b>	DATE <b>07-17-2015</b>
ECO DESCRIPTION <b>REV'D IEC MARKINGS PER IEC 60034-8</b>		
<small>COPYRIGHT REGAL BELOIT AMERICA, INC. ALL RIGHTS RESERVED.          PROPRIETARY AND CONFIDENTIAL INFORMATION - THIS DOCUMENT IS THE PROPERTY OF          REGAL BELOIT AMERICA, INC. ("OWNER") AND CONTAINS OWNER'S PROPRIETARY          INFORMATION. ANY PERSON, CORPORATION OR OTHER FIRM RECEIVING IT IS DEEMED,          BY RECEIVING IT, TO AGREE THAT IT, AND/OR ANY PART OF IT, SHALL NOT BE DISCLOSED          TO ANY PERSON, CORPORATION OR OTHER ENTITY, DUPLICATED, AND/OR USED, EXCEPT          AS EXPRESSLY APPROVED IN WRITING IN ADVANCE BY OWNER. THIS DOCUMENT SHALL          BE RETURNED TO OWNER UPON REQUEST. IT MAY BE SUBJECT TO CERTAIN          RESTRICTIONS UNDER APPLICABLE EXPORT CONTROL LAWS AND REGULATIONS.</small>		



DRAWN BY <b>LZ</b>	<b>Regal Beloit America, Inc.</b>	
DATE <b>01-12-1994</b>		
APPROVED BY <b>GK</b>	DESCRIPTION <b>CONN DIAGRAM-EXTERNAL</b>	
DATE <b>01-14-1994</b>	<b>3Ø-2/1 DELTA-12 LEADS</b>	
REFERENCE	MATERIAL	PROCESS/FINISH
THIRD ANGLE PROJECTION	SIZE <b>A</b>	DRAWING NUMBER <b>EE7308AA</b>
		SHEET <b>1 OF 1</b>