

PRODUCT INFORMATION PACKET



Model No: CEQK1000
Catalog No: CEQK1000
10 HP Pool Pump Motor, 3 phase, 3600 RPM, 230/460 V, 213JMZ Frame, ODP
Pool Pump Motors



Regal and Century are trademarks of Regal Rexnord Corporation or one of its affiliated companies.
©2021 Regal Rexnord Corporation, All Rights Reserved. MC017097E





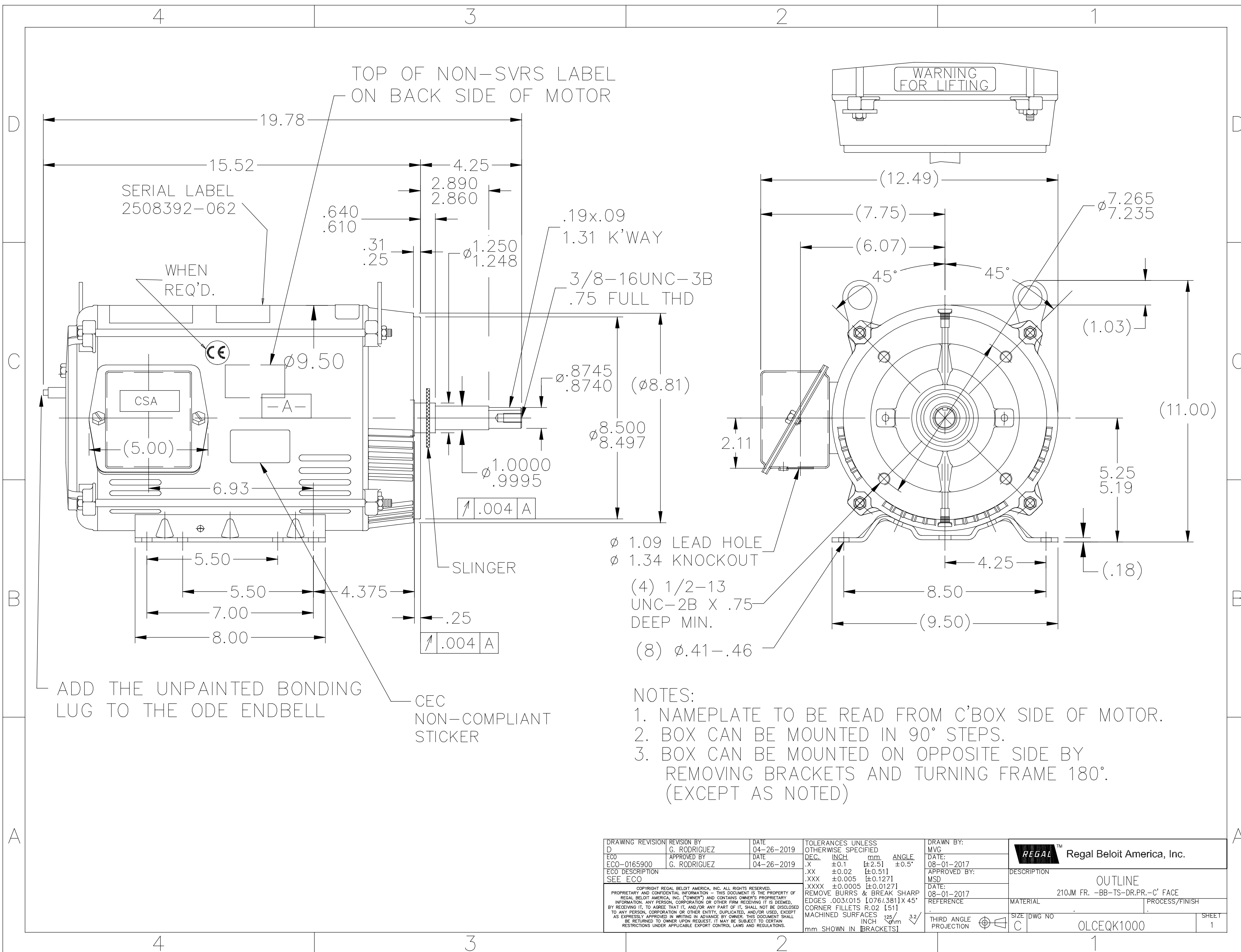
Nameplate Specifications

| | | | |
|--------------------|--------------------|---------------------|-------------------|
| Output HP | 10 Hp | Output KW | 0.75 kW |
| Frequency | 60 Hz | Voltage | 230/460 V |
| Current | 24.2/12.1 A | Speed | 3530 rpm |
| Service Factor | 1.15 | Phase | 3 |
| Duty | Continuous | Insulation Class | F |
| Frame | 213JMZ | Enclosure | Drip Proof |
| Thermal Protection | None | Ambient Temperature | 40 °C |
| UL | Recognized | CSA | Y |
| CE | Y | Number of Speeds | 1 |

Technical Specifications

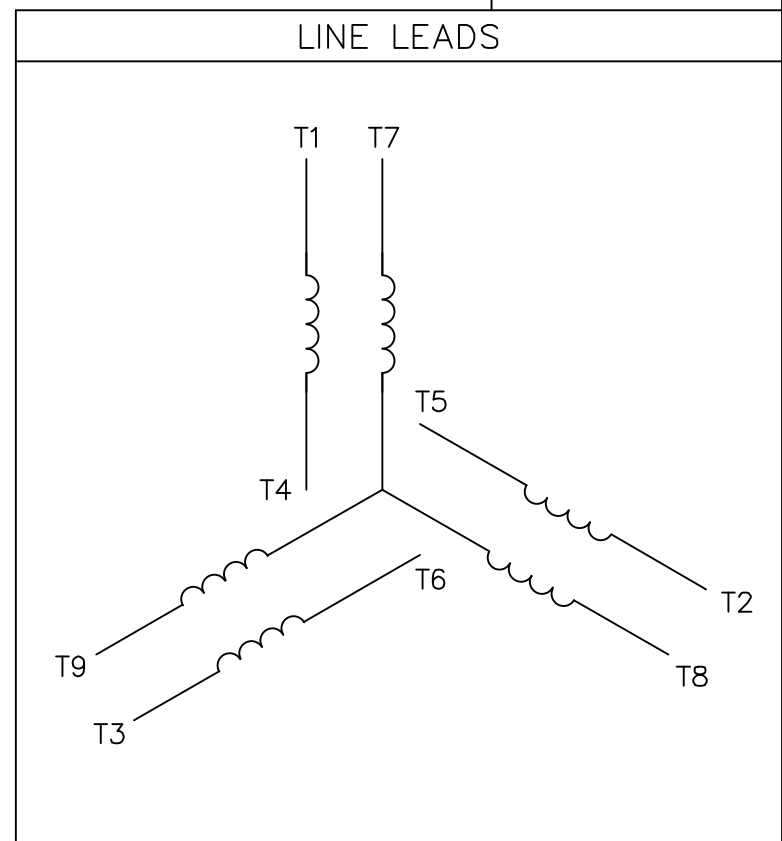
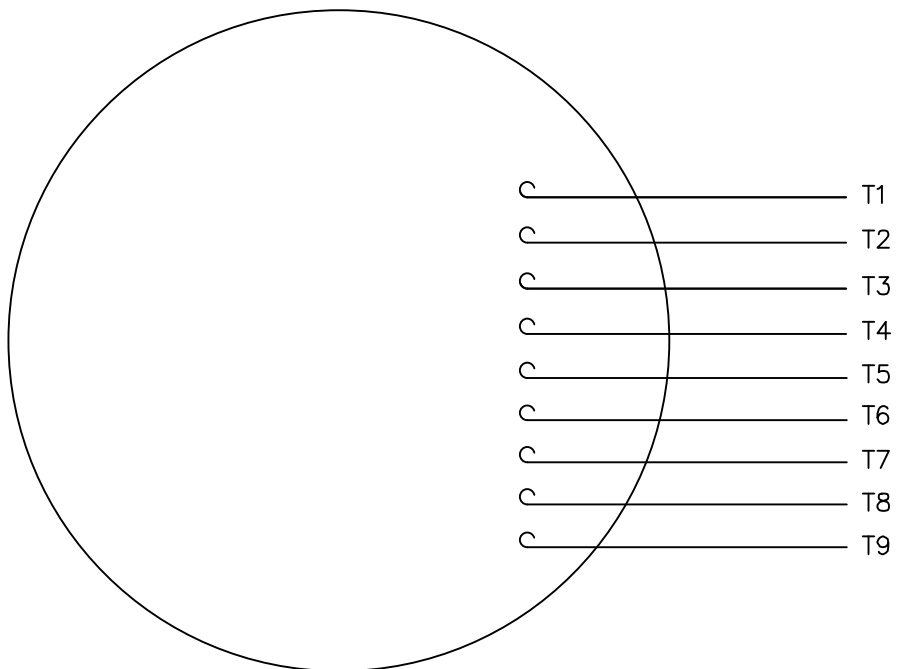
| | | | |
|--------------------|-----------------------------|-----------------------|------------------------|
| Electrical Type | Polyphase | Starting Method | Across The Line |
| Poles | 2 | Rotation | Reversible |
| Mounting | Special/Non-Standard | Motor Orientation | Horizontal |
| Drive End Bearing | Ball | Opp Drive End Bearing | Ball |
| Frame Material | Rolled Steel | Shaft Type | 7/8 Keyed |
| Overall Length | 19.78 in | Frame Length | 11.15 in |
| Shaft Diameter | 1.000 in | Shaft Extension | 4.25 in |
| Connection Drawing | 005010.01CY | Outline Drawing | OLCEQK1000 |

This is an uncontrolled document once printed or downloaded and is subject to change without notice. Date Created:10/07/2021



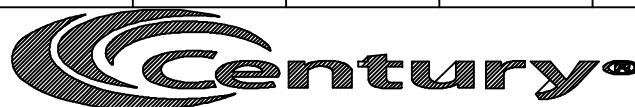
| | | | | | |
|------------------|--------------|------------|---|------------------------|-----------------------------------|
| DRAWING REVISION | REVISION BY | DATE | TOLERANCES UNLESS OTHERWISE SPECIFIED | DRAWN BY: | REGAL™ Regal Beloit America, Inc. |
| D | G. RODRIGUEZ | 04-26-2019 | DEC. INCH mm ANGLE | MVG | |
| ECO | APPROVED BY | DATE | .X ±0.1 [±2.5] ±0.5° | DATE: | DESCRIPTION |
| ECO-0165900 | G. RODRIGUEZ | 04-26-2019 | .XX ±0.02 [±0.51] | 08-01-2017 | |
| ECO DESCRIPTION | | | .XXX ±0.005 [±0.127] | APPROVED BY: | 210JM FR. -BB-TS-DR.PR.-C' FACE |
| SEE ECO | | | .XXXX ±0.0005 [±0.0127] | MSD | |
| | | | REMOVE BURRS & BREAK SHARP EDGES .003/015 [076/381] X 45° | DATE: | SIZE DWG NO. C OLCEQK1000 |
| | | | CORNER FILLETS R.02 [51] | 08-01-2017 | |
| | | | MACHINED SURFACES 125/3.2 | REFERENCE | |
| | | | mm SHOWN IN [BRACKETS] | THIRD ANGLE PROJECTION | |

VIEW FROM OUTSIDE OF MOTOR AT SWITCH END.



| VOLTAGE | L1 | L2 | L3 | JOIN & INSULATE |
|---------|-------|-------|-------|-------------------------------|
| HIGH | T1 | T2 | T3 | (T4,T7) (T5,T8) (T6,T9) |
| LOW | T1,T7 | T2,T8 | T3,T9 | T4,T5,T6 |

| NO. | REVISION | BY & DATE | CHK | TOLERANCES UNLESS SPECIFIED | | ANG | ±1/2' |
|-----|----------|-----------|-----|-----------------------------|--------|-----|-------|
| | | | | DEC. | INCHES | | |
| | | | | .X | ±.1 | | |
| | | | | .XX | ±.01 | | |
| | | | | .XXX | ±.005 | | |
| | | | | .XXXX | ±.0005 | | |



| | | | |
|--------|--|-------|-------------|
| TITLE | EXTERNAL WIRING DIAGRAM 3 PHASE W/O PROTECTOR | DRAWN | GR 03/27/12 |
| MAT'L. | DECAL - 004014 | CHK | ST 03/27/12 |
| FINISH | | APPD | |
| | | SCALE | 1=1 |
| | | REF | 005010-01 |
| | | FMF | |
| | | PREV | |

| | | | | | | | | |
|--|--|--|------|----------|------------|------|-------------|------|
| THIS DRAWING IN DESIGN AND DETAIL IS OUR PROPERTY AND MUST NOT BE USED EXCEPT IN CONNECTION WITH OUR WORK ALL RIGHTS OF DESIGN AND INVENTION ARE RESERVED THIS IS AN ELECTRONICALLY GENERATED DOCUMENT - DO NOT SCALE THIS PRINT | | | RFP | CAD FILE | 00501001CY | SIZE | DRAWING NO. | REV. |
| | | | DIST | BRF-NLV | | A | 005010-01CY | |