

PRODUCT INFORMATION PACKET



Model No: B199084.00
Catalog No: B199084.00
OBSOLETE REPLACED BY 184TTFBD6004

Regal and Leeson are trademarks of Regal Rexnord Corporation or one of its affiliated companies.
©2023 Regal Rexnord Corporation, All Rights Reserved. MC017097E





Nameplate Specifications

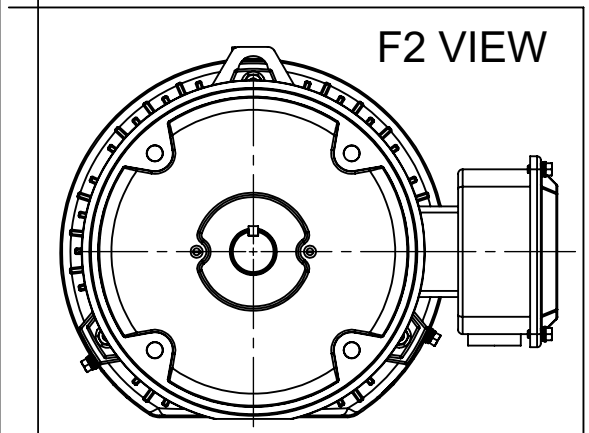
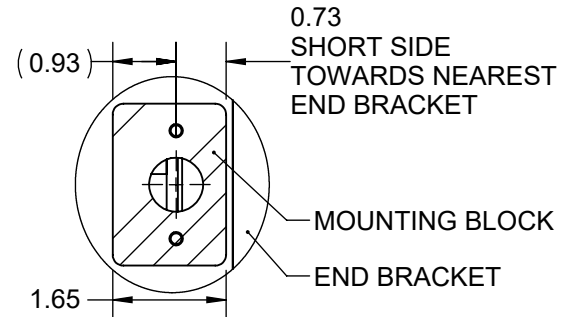
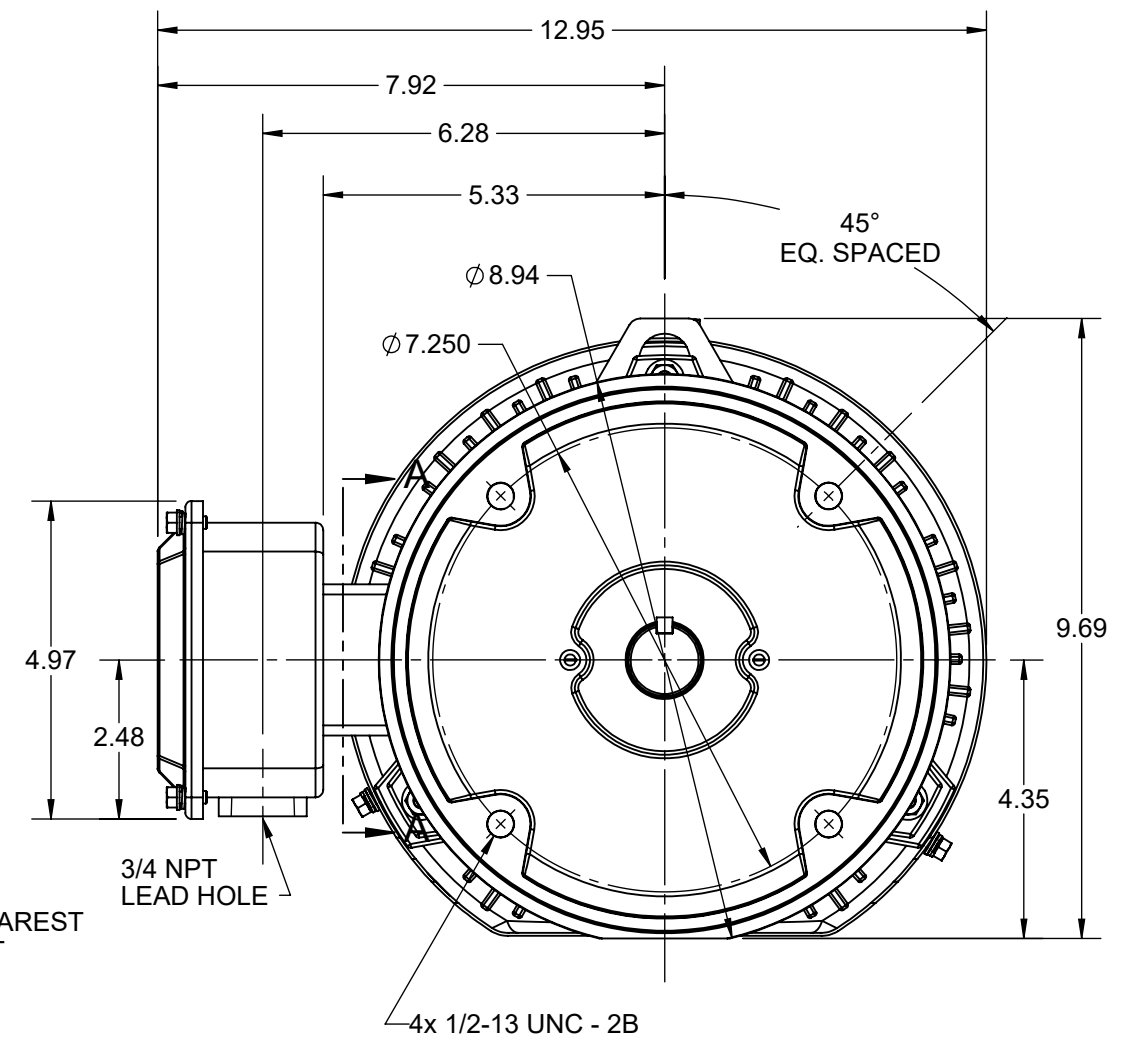
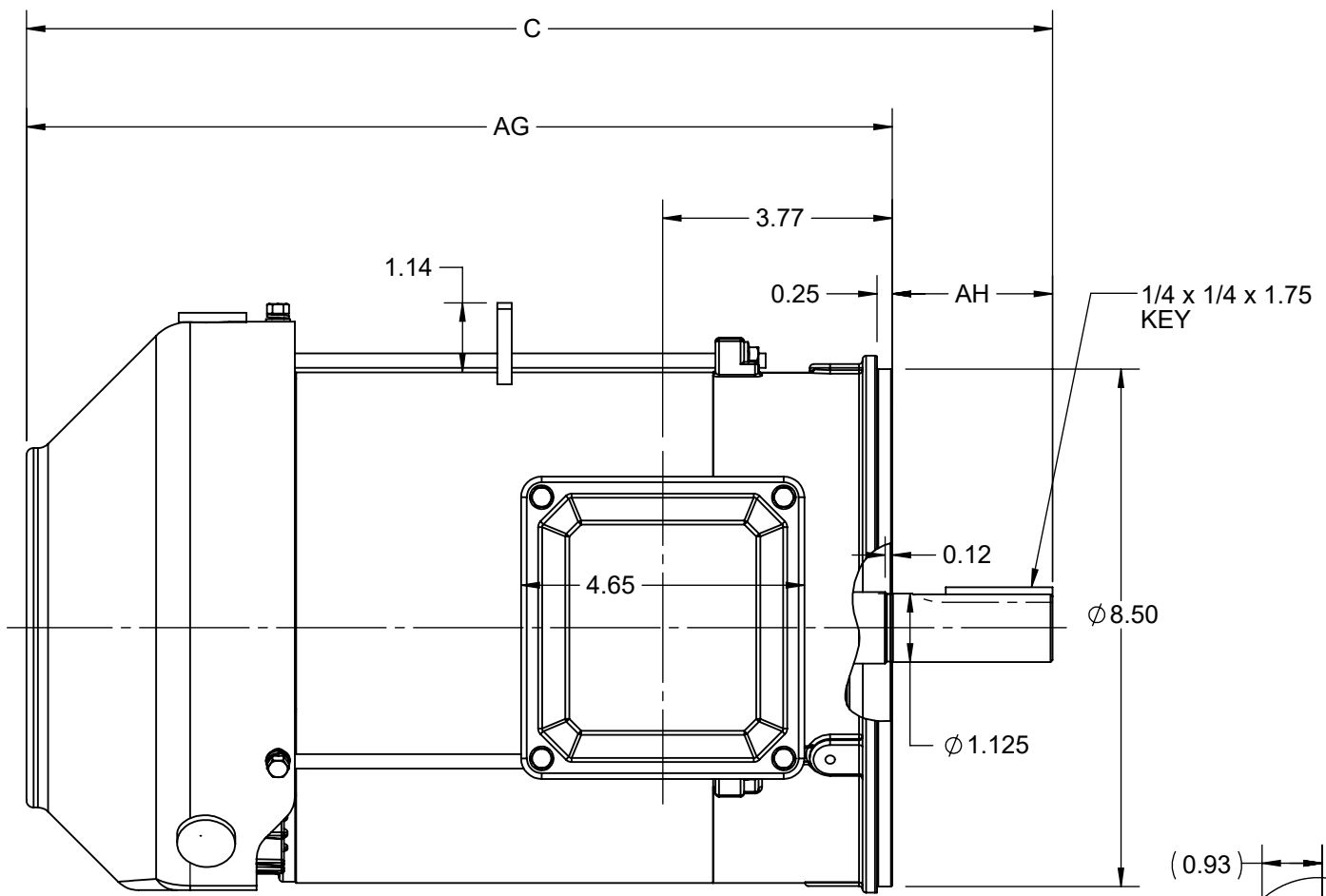
| | | | |
|------------------------|-----------------------------|----------------------------|------------------------------------|
| Phase | 3 | Output HP | 5 & 3 Hp |
| Output KW | 3.7 & 2.2 KW | Voltage | 230/460 & 190/380 V |
| Speed | 3510 & 2925 rpm | Service Factor | 1.15 & 1.15 |
| Frame | 184TC | Enclosure | Totally Enclosed Fan Cooled |
| Thermal Protection | No Protection | Efficiency | 88.5 & 85.5 % |
| Ambient Temperature | 40 °C | Frequency | 60 & 50 Hz |
| Current | 12/6 & 9.4/4.7 A | Power Factor | 88 |
| Duty | Continuous | Insulation Class | F |
| Design Code | B | KVA Code | H |
| Drive End Bearing Size | 6206 | Opp Drive End Bearing Size | 6205 |
| UL | Listed | CSA | Y |
| CE | Y | IP Code | 43 |
| Number of Speeds | 1 | Hazardous Location | DIVISION 2 T2B |

Technical Specifications

| | | | |
|-----------------------|-------------------------------------|-----------------------|-------------------------|
| Electrical Type | Squirrel Cage Inverter Rated | Starting Method | Line Or Inverter |
| Poles | 2 | Rotation | Reversible |
| Resistance Main | 3.55 Ohms | Mounting | Round |
| Motor Orientation | Horizontal | Drive End Bearing | Ball |
| Opp Drive End Bearing | Ball | Frame Material | Rolled Steel |
| Shaft Type | T | Assembly/Box Mounting | F1/F2 CAPABLE |
| Inverter Load | CONSTANT 10:1/VARIABLE 10:1 | | |
| Outline Drawing | SS600201 | Connection Drawing | EE7308 |

This is an uncontrolled document once printed or downloaded and is subject to change without notice. Date Created:06/22/2023

| DASH NO. | C | AG | AH | MOUNTING | FRAME |
|----------|-------|-------|------|----------|-------|
| 100 | 15.85 | 13.22 | 2.62 | F1 OR F2 | 182TC |
| 200 | 16.85 | 14.22 | | | 184TC |



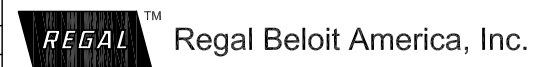
| | | |
|---|----------------------|-------------------------------|
| DRAWING REVISION D | REVISION BY BISWA | REV DATE/© DATE 16/03/2021 |
| ECO CR-0001658 | APPROVED BY GNK | DATE 19/03/2021 |
| ECO DESCRIPTION Unsymmetrical mtg. bracket positional view added. | | |
| <small>COPYRIGHT (PER REVISION DATE) REGAL BELOIT AMERICA, INC. ALL RIGHTS RESERVED. PROPRIETARY AND CONFIDENTIAL INFORMATION - THIS DOCUMENT IS THE PROPERTY OF REGAL BELOIT AMERICA, INC. ("OWNER") AND CONTAINS OWNER'S PROPRIETARY INFORMATION. ANY PERSON, CORPORATION OR OTHER FIRM RECEIVING IT IS DEEMED, BY RECEIVING IT, TO AGREE THAT IT, AND/OR ANY PART OF IT, SHALL NOT BE DISCLOSED TO ANY PERSON, CORPORATION OR OTHER ENTITY, DUPLICATED, AND/OR USED, EXCEPT AS EXPRESSLY APPROVED IN WRITING IN ADVANCE BY OWNER. THIS DOCUMENT SHALL BE RETURNED TO OWNER UPON REQUEST. IT MAY BE SUBJECT TO CERTAIN RESTRICTIONS UNDER APPLICABLE EXPORT CONTROL LAWS AND REGULATIONS.</small> | | |

PRIMARY DIMENSIONS ARE INCH
mm DIMENSIONS IN [BRACKETS]
ARE FOR REFERENCE ONLY

| | |
|------------------------|---|
| DRAWN BY PRIYA | REGAL ® Regal Beloit America, Inc. |
| DATE 08/03/2018 | |
| APPROVED BY SBD | DESCRIPTION OUTLINE 182/184TC FR TEFC RS, FOOTLESS |
| DATE 08/03/2018 | MATERIAL |
| REFERENCE | PROCESS/FINISH |
| THIRD ANGLE PROJECTION | SIZE B |
| | DRAWING NUMBER SS600201 |
| | SHEET 1 OF 1 |



| NO. | REVISION | BY & DATE | CHK | ANG | TOLERANCES UNLESS SPECIFIED | | FINISH | DRAWN RM | ML | REV. | | |
|--|--|----------------|-----|-------|-----------------------------|--------|---------|-----------------|------------|-------------|---------|------|
| | | | | | DEC. | INCHES | | | | | | |
| 5 | CHG TO REGAL LOGO | SL 09/10/2015 | AB | | | | | RM | 11/20/1990 | | | |
| 4 | REVISED IEC NOTATIONS | MSG 11/15/2011 | CMN | .X | ±.1 | | | CHK | ML | 11/21/1990 | | |
| 3 | ADDED IEC NOTATIONS... (U1), (V1) ETC. MU95194 | MSG 5/10/2010 | MJS | .XX | ±.02 | | | APPD | SAS | 04/24/2003 | | |
| 2 | ADDED THE OPTIONAL CORD CONNECTION MU46318 | RDH 04/24/2003 | DRS | .XXX | ±.005 | | | SCALE | 1=1 | | | |
| 1 | REDRAWN | RM 11/20/1990 | | .XXXX | ±.0005 | | | REF | | | | |
| | | | | | ±7'30" | | | FMP | | | | |
| THIS DRAWING IN DESIGN AND DETAIL IS OUR PROPERTY AND MUST NOT BE USED EXCEPT IN CONNECTION WITH OUR WORK ALL RIGHTS OF DESIGN AND INVENTION ARE RESERVED THIS IS AN ELECTRONICALLY GENERATED DOCUMENT - DO NOT SCALE THIS PRINT | | | | | | | RFP | CAD FILE ee7308 | SIZE | DRAWING NO. | PAGE OF | REV. |
| | | | | | | | DIST WP | | A | EE7308 | 5 | 5 |



TITLE CONNECTION DIAGRAM
3Ø - DUAL VOLTAGE MOTOR