

PRODUCT INFORMATION PACKET



Model No: 851123.00

Catalog No: 851123.00

Hydraulic Motor, 20 & 15 HP, 3 Ph, 60 & 50 Hz, 230/460 & 190-208/380-415 V, 1800 & 1500 RPM,
256 Frame, TEFC

Regal and Leeson are trademarks of Regal Rexnord Corporation or one of its affiliated companies.

©2023 Regal Rexnord Corporation, All Rights Reserved. MC017097E



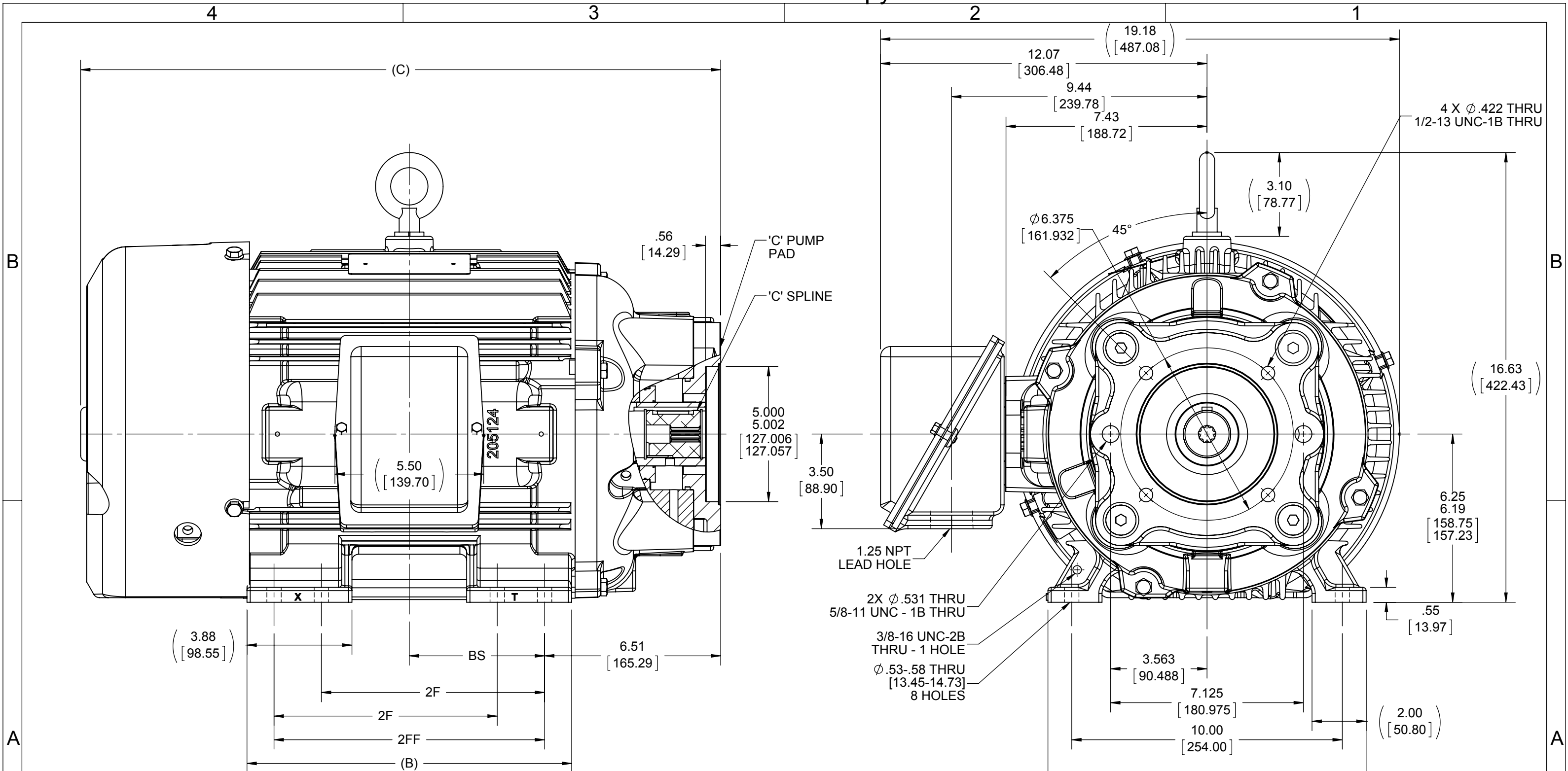


Nameplate Specifications

Phase	3	Output HP	20 & 15 Hp
Output KW	14.9 & 11.2 kW	Voltage	230/460 & 190-208/380-415 V
Speed	1775 & 1470 rpm	Service Factor	1.15 & 1.0
Frame	256	Enclosure	Totally Enclosed Fan Cooled
Thermal Protection	No Protection	Efficiency	93 & 92.5 %
Ambient Temperature	40 °C	Frequency	60 & 50 Hz
Current	48/24.1 & 44-44/22-22 A	Power Factor	84
Duty	Continuous	Insulation Class	F
Design Code	B	KVA Code	G
Drive End Bearing Size	6312	Opp Drive End Bearing Size	6210
UL	Recognized	CSA	Y
CE	Y	IP Code	55
Number of Speeds	1		

Technical Specifications

Electrical Type	Squirrel Cage Inverter Rated	Starting Method	Line Or Inverter
Poles	4	Rotation	Reversible
Resistance Main	.474 Ohms	Mounting	Rigid Base
Motor Orientation	Horizontal	Drive End Bearing	Ball
Opp Drive End Bearing	Ball	Frame Material	Cast Iron
Shaft Type	Hyd Pump Adaptor Shaft	Overall Length	23.66 in
Frame Length	12.26 in	Shaft Extension	SPLINE SHAFT in
Assembly/Box Mounting	F1/F2 CAPABLE		
Connection Drawing	A-EE7308-LE	Outline Drawing	SS208364-1225



NOTES:
 1. CONDUIT BOX CAN BE ROTATED IN 90° STEPS.
 2. NAMEPLATE READ FROM CONDUIT BOX SIDE OF MOTOR.

DASH	FRAME	B	C	2F	2FF	BS
1225	254-6TYZ	12.00 [304.8]	23.66 [600.96]	8.25 [209.55]	10.00 [254]	5.00 [127]

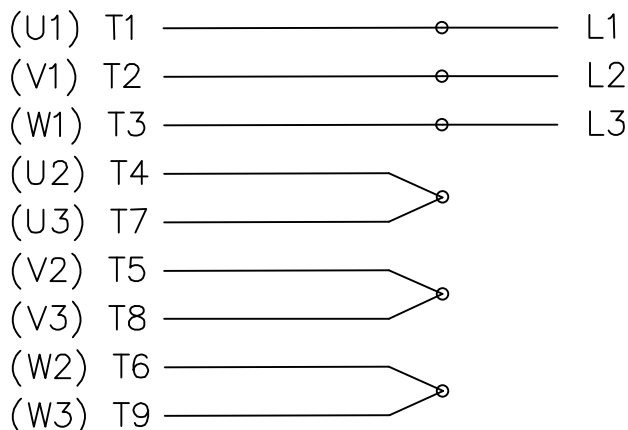
DRAWING REVISION A	REVISION BY DRF	DATE 06-12-2014
ECO ECO-0052805	APPROVED BY TB	DATE 6-12-14
ECO DESCRIPTION NMR-008837, MU113867		
<small>COPYRIGHT REGAL BELOIT AMERICA, INC. ALL RIGHTS RESERVED. PROPRIETARY AND CONFIDENTIAL INFORMATION - THIS DOCUMENT IS THE PROPERTY OF REGAL BELOIT AMERICA, INC. ("OWNER") AND CONTAINS OWNER'S PROPRIETARY INFORMATION. ANY PERSON, CORPORATION OR OTHER FIRM RECEIVING IT IS DEEMED, BY RECEIVING IT, TO AGREE THAT IT, AND/OR ANY PART OF IT, SHALL NOT BE DISCLOSED TO ANY PERSON, CORPORATION OR OTHER ENTITY, DUPLICATED, AND/OR USED, EXCEPT AS EXPRESSLY APPROVED IN WRITING IN ADVANCE BY OWNER. THIS DOCUMENT SHALL BE RETURNED TO OWNER UPON REQUEST. IT MAY BE SUBJECT TO CERTAIN RESTRICTIONS UNDER APPLICABLE EXPORT CONTROL LAWS AND REGULATIONS.</small>		

TOLERANCES UNLESS OTHERWISE SPECIFIED:
 DEC. INCH mm ANGLE
 .X ±0.1 [±2.5] ±0.5°
 .XX ±0.01 [±0.25]
 .XXX ±0.005 [±0.127]
 .XXXX ±0.0005 [±0.0127]
 REMOVE BURRS & BREAK SHARP
 EDGES: .003/.015 [0.076/.381]
 CORNER FILLETS: .02 [0.51]
 MACHINED SURFACES: 125 3.2
 INCH mm
 mm SHOWN IN [BRACKETS]

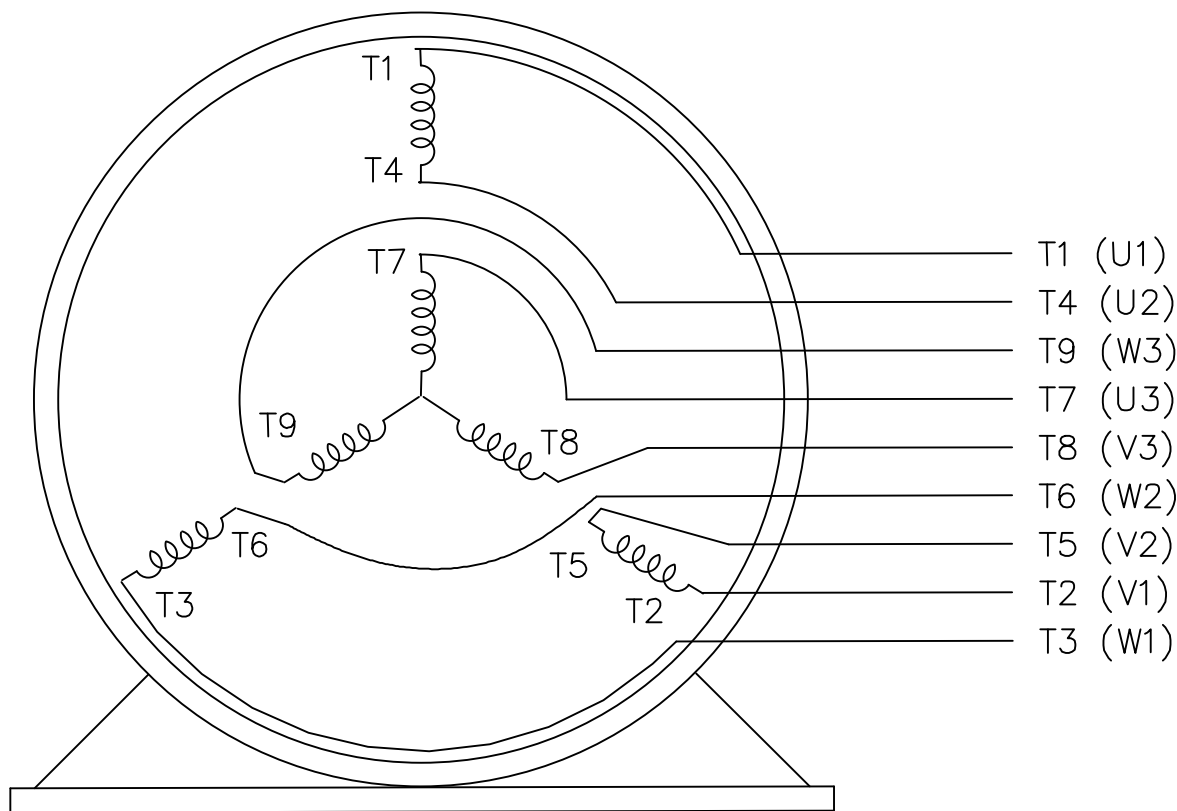
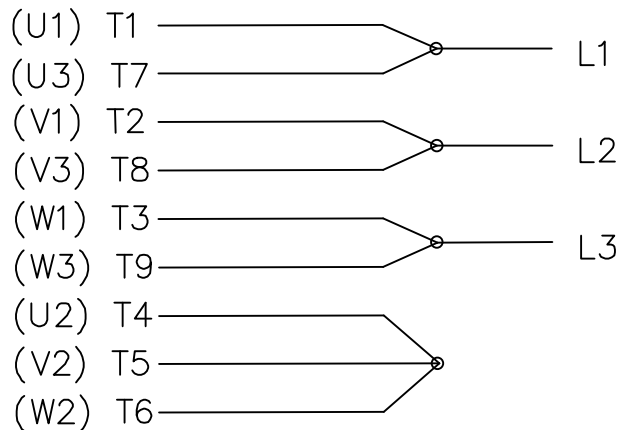
DRAWN BY CTO	Regal Beloit America, Inc.
DATE 09-17-2013	
APPROVED BY TB	DESCRIPTION OUTLINE 254-56 FR. - TEFC - 11.00" LAM
DATE 9-17-2013	MATERIAL
REFERENCE	PROCESS/FINISH
THIRD ANGLE PROJECTION	SIZE B
	DRAWING NUMBER SS208364
	SHEET 1 OF 1

THREE PHASE DUAL VOLTAGE MOTOR

HIGH VOLTAGE




LOW VOLTAGE



VIEW OF TERMINAL END

REF.
WINDING DIAGRAM

T8Y, T2Y, T2BL, T4BX, T2EC, T2G
T6BZ, T2B, T6BL, T4AV, T6B, T4B

				TOLERANCES UNLESS SPECIFIED			ELECTRIC MOTORS GEARMOTORS AND DRIVES	DRAWN HLB 04-29-2002		
				DEC.	INCHES			CHK	ML	05-03-2002
				.X	±.1			APPD	GK 05-03-2002	
				.XX	±.01	TITLE CONNECTION DIAGRAM 3Ø - DUAL VOLTAGE MOTOR		SCALE	1=1	
2	ADDED IEC NOTATIONS... (U1), (V1) ETC. (MU105786)	REP 01-11-2012	DR	.XXX	±.005			REF		
1	NEW DRAWING	HLB 05-03-2002	ML	.XXXX	±.0005	MAT'L.		FMF		
NO.	REVISION	BY & DATE	CHK	ANG	±1/2'	FINISH		PREV		
THIS DRAWING IN DESIGN AND DETAIL IS OUR PROPERTY AND MUST NOT BE USED EXCEPT IN CONNECTION WITH OUR WORK ALL RIGHTS OF DESIGN AND INVENTION ARE RESERVED THIS IS AN ELECTRONICALLY GENERATED DOCUMENT - DO NOT SCALE THIS PRINT				RFP		CAD FILE EE7308-LE		SIZE	DRAWING NO. PAGE OF	REV.
				DIST	LB-WP			A	EE7308-LE	2