

PRODUCT INFORMATION PACKET



Model No: 825095.00

Catalog No: 825095.00

Explosion Proof Motor, 20 & 15 HP, 3 Ph, 60 & 50 Hz, 230/460 & 190/380 V, 1800 & 1500 RPM,
256T Frame, EPFC



Regal and Leeson are trademarks of Regal Rexnord Corporation or one of its affiliated companies.

©2023 Regal Rexnord Corporation, All Rights Reserved. MC017097E



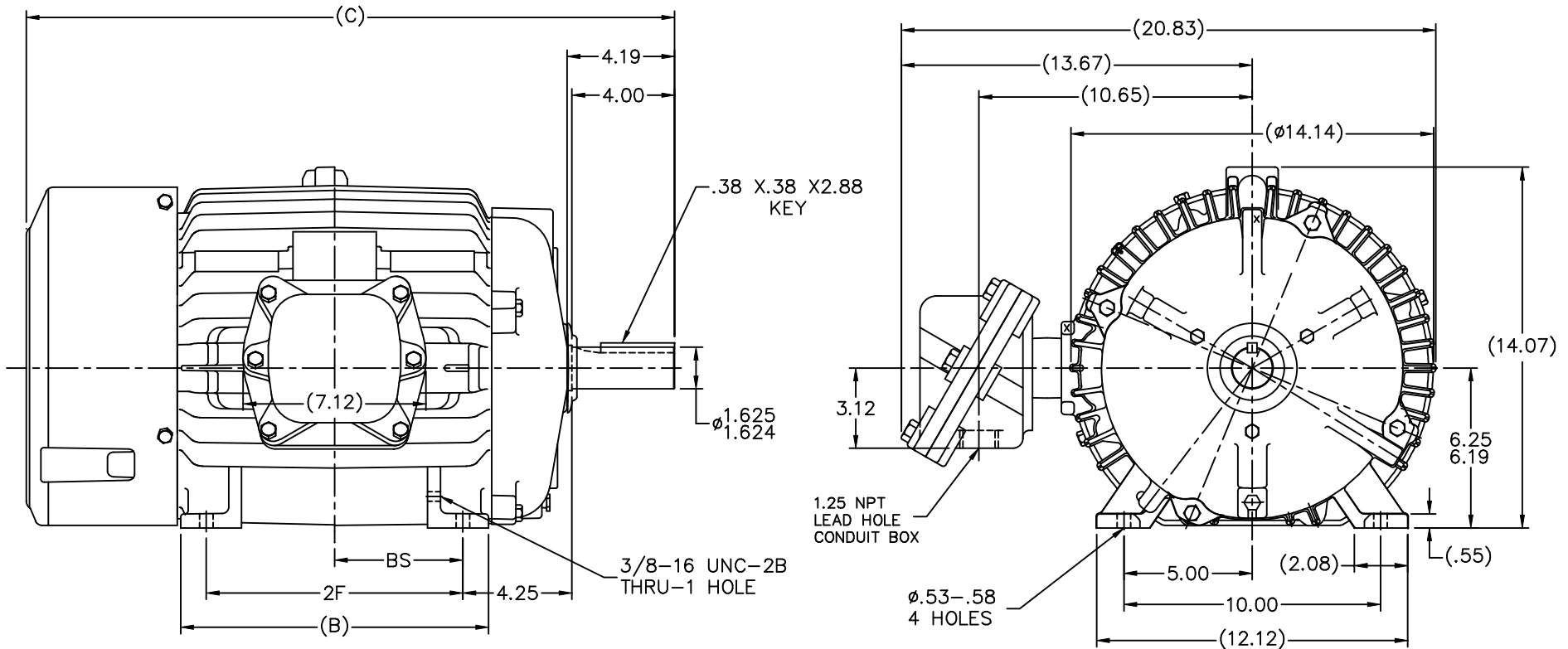


Nameplate Specifications

Phase	3	Output HP	20 & 15 Hp
Output KW	14.9 & 11.2 kW	Voltage	230/460 & 190/380 V
Speed	1775 & 1475 rpm	Service Factor	1.15 & 1.15
Frame	256T	Enclosure	Explosion Proof Fan cooled
Thermal Protection	Thermostat	Efficiency	93 & 92.5 %
Ambient Temperature	40 °C	Frequency	60 & 50 Hz
Current	48/24.1 & 44/22 A	Power Factor	84
Duty	Continuous	Insulation Class	F
Design Code	B	KVA Code	G
Drive End Bearing Size	309	Opp Drive End Bearing Size	210
UL	UL Listed And CSA Certified	CSA	Y
CE	N	IP Code	54
Number of Speeds	1	Hazardous Location	EXP PROOF CL I GR C&D CL II GR F&G T3B

Technical Specifications

Electrical Type	Squirrel Cage Inverter Rated	Starting Method	Line Or Inverter
Poles	4	Rotation	Reversible
Resistance Main	.474 Ohms	Mounting	Rigid Base
Motor Orientation	Horizontal	Drive End Bearing	Ball
Opp Drive End Bearing	Ball	Frame Material	Cast Iron
Shaft Type	T	Overall Length	25.27 in
Frame Length	12.25 in	Shaft Diameter	1.625 in
Shaft Extension	4 in	Assembly/Box Mounting	F1 ONLY
Inverter Load	CONSTANT 10:1		
Outline Drawing	B-SS203001LE-1225	Connection Drawing	A-EE7308T-LE



- NOTES:
 1. BOX CAN ONLY BE ROTATED CLOCKWISE UP TO 270° FROM ITS ORIGINAL POSITION.
 2. NAMEPLATE TO BE READ FROM CONDUIT BOX SIDE OF MOTOR

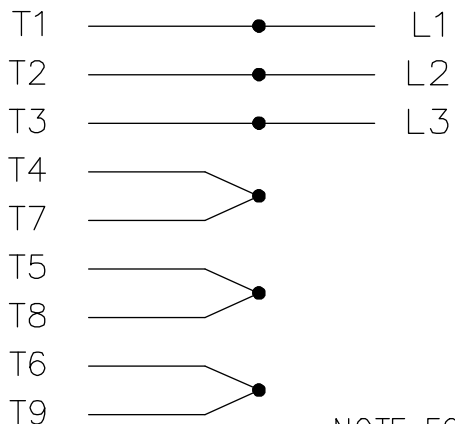
(B-SS203004)

DASH	FRAME	B	C	2F	BS
1050	254T	10.25	23.52	8.25	4.12
1225	256T	12.00	25.27	10.00	5.00

		TOLERANCES UNLESS SPECIFIED		LEESON		ELECTRIC MOTORS GEARMOTORS AND DRIVES		DRAWN TJB 05-07-2002		
		DEC.	INCHES			CHK	ML	05-08-2002		
		.X	±.1			APPD	TB	05-08-2002		
		.XX	±.03	TITLE OUTLINE - EXP. PR.		SCALE		1=4		
2	REDRAWN IN AUTOCAD	NJS	03-17-2005	ML	.XXX	250T FR. - BB - TS - STD.		REF		
1	NEW DRAWING	CN 34708	TJB 05-08-2002		.XXXX	MATL		FMF		
NO.	REVISION	BY & DATE	CHK	ANG	FINISH	PREV				
			RFP	±7'30"		CAD FILE SS203001LE		SIZE	DRAWING NO. PAGE OF REV.	
	THIS DRAWING IN DESIGN AND DETAIL IS OUR PROPERTY AND MUST NOT BE USED EXCEPT IN CONNECTION WITH OUR WORK ALL RIGHTS OF DESIGN AND INVENTION ARE RESERVED THIS IS AN ELECTRONICALLY GENERATED DOCUMENT - DO NOT SCALE THIS PRINT					DIST	LB	B	SS203001LE	2

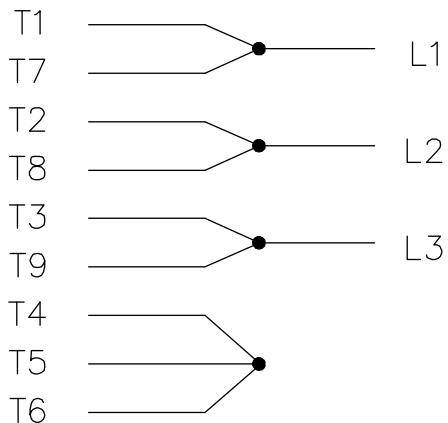
THREE PHASE
DUAL VOLTAGE MOTOR

HIGH VOLTAGE

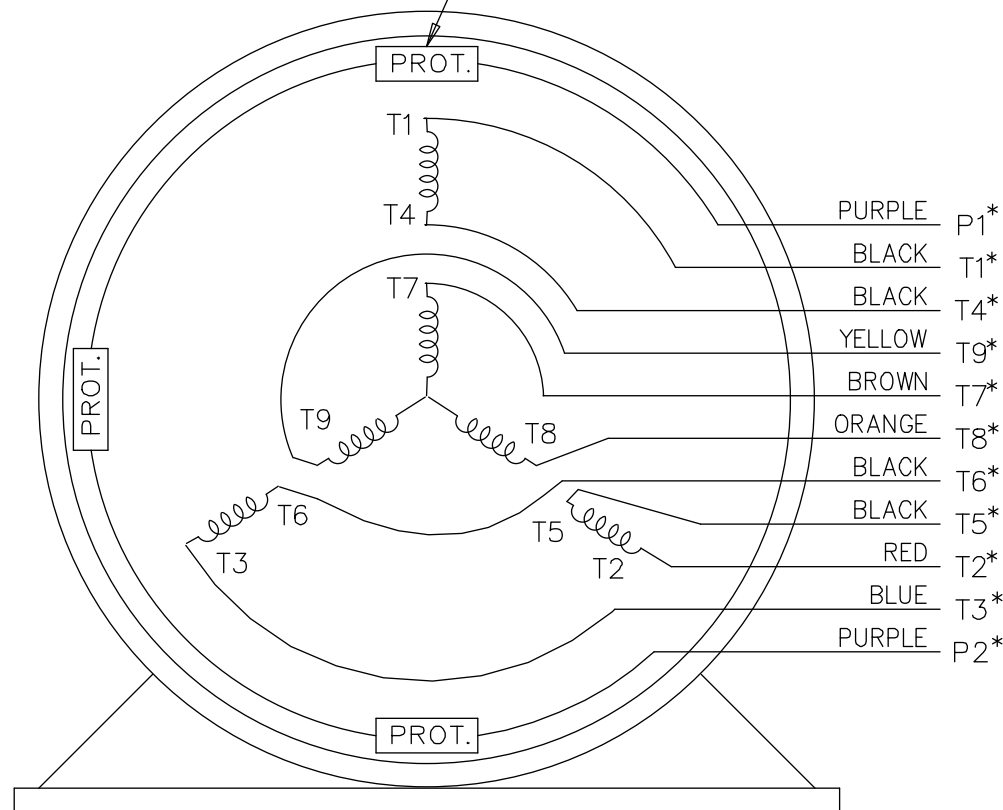


NOTE FOR FACTORY USE ONLY:
 TO SURGE TEST FOR COMMON CONNECT:
 HIGH VOLT: CONNECT P1 TO T1
 THEN P2 TO L1
 LOW VOLT: CONNECT P1 TO T1 & T7,
 THEN P2 TO L1

LOW VOLTAGE



THREMO-PROTECTORS
CONNECTED IN SERIES.



VIEW OF TERMINAL END

* USE LEADS AS PER PLANT STANDARD IRRWSPECTIVE OF THEIR COLOUR.

NO.	REVISION	BY & DATE	CHK	ANG	TOLERANCES UNLESS SPECIFIED		FINISH	DRAWN TJB 05-07-2002	
					DEC.	INCHES			
05	ADDED * NOTE PER ECN # 26921	UD 01-30-2013	JD	DEC.				CHK ML 05-08-2002	
04	ADDED COLORS TO "T & P" LEADS CN 40494	MSG 08-08-2006	ML	.X	±.1			APPD TB 05-08-2002	
03	RE-ISSUE	NJS 04-21-2004	JET	.XX	±.02			SCALE 1=1	
02	REDRAWN	TAT 04-20-2004	ML	.XXX	±.005			REF	
01	NEW DRAWING CN 34708	TJB 05-08-2002	ML	.XXXX	±.0005			FMF	
					±7'30"			PREV	
THIS DRAWING IN DESIGN AND DETAIL IS OUR PROPERTY AND MUST NOT BE USED EXCEPT IN CONNECTION WITH OUR WORK ALL RIGHTS OF DESIGN AND INVENTION ARE RESERVED THIS IS AN ELECTRONICALLY GENERATED DOCUMENT - DO NOT SCALE THIS PRINT			RFP	CAD FILE EE7308T_LE			SIZE A	DRAWING NO. EE7308T-LE	PAGE OF 05
			DIST	LB-WP-LE					



ELECTRIC MOTORS
GEARMOTORS
AND DRIVES

TITLE CONNECTION DIAGRAM
3 PHASE - DUAL VOLTAGE MOTOR

Data Sheet

Date: 1/30/2018

825095.00



Data @ **460 V**

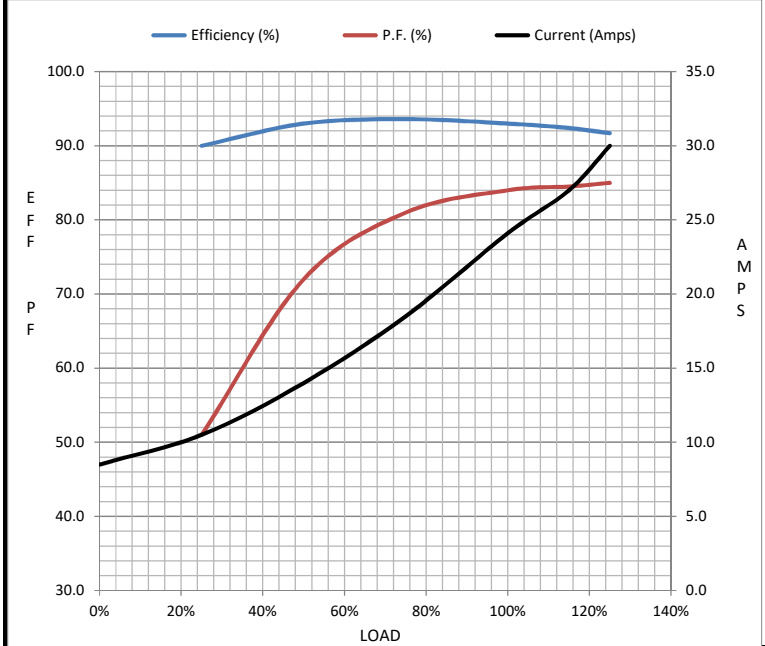
Motor Load Data

Load	0%	25%	50%	75%	100%	115%	125%	LR
Current (Amps)	8.5	10.5	14.0	18.5	24.1	27.0	30.0	138
Torque (ft-lb)	0.00	14.5	29.5	44.5	59.2	68.0	74.5	105
RPM	1800	1795	1785	1780	1775	1770	1760	0
Efficiency (%)		90.0	93.0	93.6	93.0	92.4	91.7	
P.F. (%)	8.5	51.0	72.0	81.0	84.0	84.5	85.0	40.0

Motor Speed Data

	LR	Pull-Up	BD	Rated	Idle
Speed (RPM)	0	900	1625	1775	1800
Current (Amps)	138	115	86.0	24.1	8.5
Torque (ft-lb)	105	100	146	59.2	0.00

Information Block				
HP	20.0			
Sync. RPM	1800			
Frame	256			
Enclosure	TEFC			
Construction	TFN			
Voltage	230/460#190/380 V			
Frequency	60 Hz			
Design	B			
LR Code letter	G			
Service Factor	1.15			
Temp Rise @ FL	65 °C			
Duty	CONT			
Ambient	40 °C			
Elevation	1,000 feet			
Rotor/Shaft wk ²	3.2 Lb-Ft ²			
Ref Wdg	K2564164 NONE			
Sound Pressure @ 1M	65 dBA			
VFD Rating	CONSTANT 10:1			
Outline Dwg	B-SS203001LE-1225			
Conn. Diag	A-EE7308T-LE			
Additional Specifications:				
0				
0				
EQUIV CKT (OHMS / PHASE)				
R1	R2	X1	X2	Xm
0.2670	0.2070	0.9900	1.4910	28.4000



Speed - Torque Curve

