

# PRODUCT INFORMATION PACKET

Model No: 824575.00

Catalog No: 824575.00

OBSOLETE REPLACED BY 182TTTS18532

Regal and are trademarks of Regal Rexnord Corporation or one of its affiliated companies.  
©2022 Regal Rexnord Corporation, All Rights Reserved. MC017097E

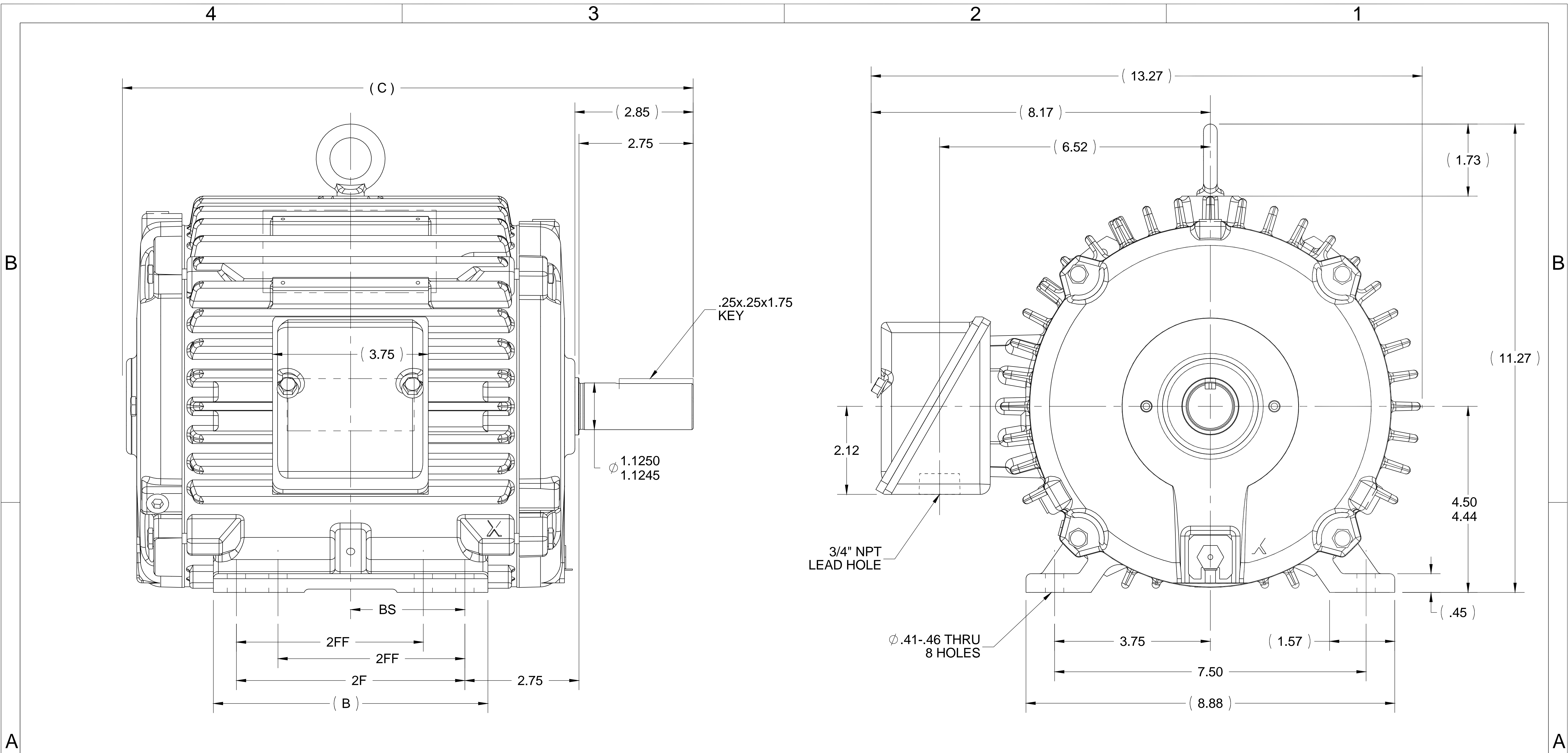


### Nameplate Specifications

Output HP	<b>3 Hp</b>	Output KW	<b>2.2 kW</b>
Frequency	<b>60 Hz</b>	Voltage	<b>460 V</b>
Current	<b>3.9 A</b>	Speed	<b>1755 rpm</b>
Service Factor	<b>1</b>	Phase	<b>3</b>
Efficiency	<b>90.2 %</b>	Power Factor	<b>81</b>
Duty	<b>Continuous</b>	Insulation Class	<b>H</b>
Design Code	<b>B</b>	KVA Code	<b>K</b>
Frame	<b>182T</b>	Enclosure	<b>Totally Enclosed Air Over</b>
Thermal Protection	<b>Thermostat</b>	Ambient Temperature	<b>100 °C</b>
Drive End Bearing Size	<b>6206</b>	Opp Drive End Bearing Size	<b>6206</b>
UL	<b>Recognized</b>	CSA	<b>Y</b>
CE	<b>N</b>	IP Code	<b>54</b>
Number of Speeds	<b>1</b>		

### Technical Specifications

Electrical Type	<b>Squirrel Cage Inverter Rated</b>	Starting Method	<b>Line Or Inverter</b>
Poles	<b>4</b>	Rotation	<b>Reversible</b>
Resistance Main	<b>4.18 Ohms</b>	Mounting	<b>Rigid Base</b>
Motor Orientation	<b>Horizontal</b>	Drive End Bearing	<b>Ball / Heat Stabilized</b>
Opp Drive End Bearing	<b>Ball / Heat Stabilized</b>	Frame Material	<b>Cast Iron</b>
Shaft Type	<b>T</b>	Overall Length	<b>13.74 in</b>
Frame Length	<b>8.00 in</b>	Shaft Diameter	<b>1.125 in</b>
Shaft Extension	<b>2.75 in</b>	Assembly/Box Mounting	<b>F1/F2 CAPABLE</b>
Inverter Load	<b>VARIABLE 20:1</b>		
Connection Drawing	<b>EE7300T-LE</b>	Outline Drawing	<b>035670-800</b>



- NOTES:  
 1. NAMEPLATE TO BE READ FROM CONDUIT BOX SIDE OF MOTOR.  
 2. CONDUIT BOX CAN ROTATED IN 90° STEPS.  
 3. CONDUIT BOX CAN BE MOUNTED ON OPPOSITE SIDE BY REMOVING BRACKETS AND TURNING FRAME 180°

DRAWING REVISION C	REVISION BY SS	DATE 05/31/16
ECO ECO-0101042	APPROVED BY GR	DATE 05/31/16
ECO DESCRIPTION TEMPLATE UPDATED.		
<small>COPYRIGHT REGAL BELOIT AMERICA, INC. ALL RIGHTS RESERVED. PROPRIETARY AND CONFIDENTIAL INFORMATION - THIS DOCUMENT IS THE PROPERTY OF REGAL BELOIT AMERICA, INC. ("OWNER") AND CONTAINS OWNER'S PROPRIETARY INFORMATION. ANY PERSON, CORPORATION OR OTHER FIRM RECEIVING IT IS DEEMED, BY RECEIVING IT, TO AGREE THAT IT, AND/OR ANY PART OF IT, SHALL NOT BE DISCLOSED TO ANY PERSON, CORPORATION OR OTHER ENTITY, DUPLICATED, AND/OR USED, EXCEPT AS EXPRESSLY APPROVED IN WRITING IN ADVANCE BY OWNER. THIS DOCUMENT SHALL BE RETURNED TO OWNER UPON REQUEST. IT MAY BE SUBJECT TO CERTAIN RESTRICTIONS UNDER APPLICABLE EXPORT CONTROL LAWS AND REGULATIONS.</small>		

TOLERANCES UNLESS OTHERWISE SPECIFIED:

DEC.	INCH	mm	ANGLE
.X	±0.1	[±2.5]	±0.5°
.XX	±0.01	[±0.25]	
.XXX	±0.005	[±0.127]	
.XXXX	±0.0005	[±0.0127]	

REMOVE BURRS & BREAK SHARP EDGES: .003/.015 [.076/.381] X 45°  
 CORNER FILLETS: R.02 [.51]  
 MACHINED SURFACES: 125 INCH 3.2 mm

DRAWN BY TJW
DATE 3/25/2008
APPROVED BY SW
DATE 3/26/2008
REFERENCE
THIRD ANGLE PROJECTION

<b>REGAL</b> ™ Regal Beloit America, Inc.	
DESCRIPTION	<b>OUTLINE</b> 180 FR. - CAST C'BOX
MATERIAL	PROCESS/FINISH
SIZE <b>B</b>	DRAWING NUMBER <b>035670</b>
	SHEET 1 OF 1

1000	182/184	15.74	8.61	7.50	5.50	3.75
800	182/184	13.74	6.61	5.50	4.50	2.75
DASH	FRAME	C	B	2F	2FF	BS

**THREE PHASE - SINGLE VOLTAGE MOTOR  
CONDUIT BOX @ 'A'**

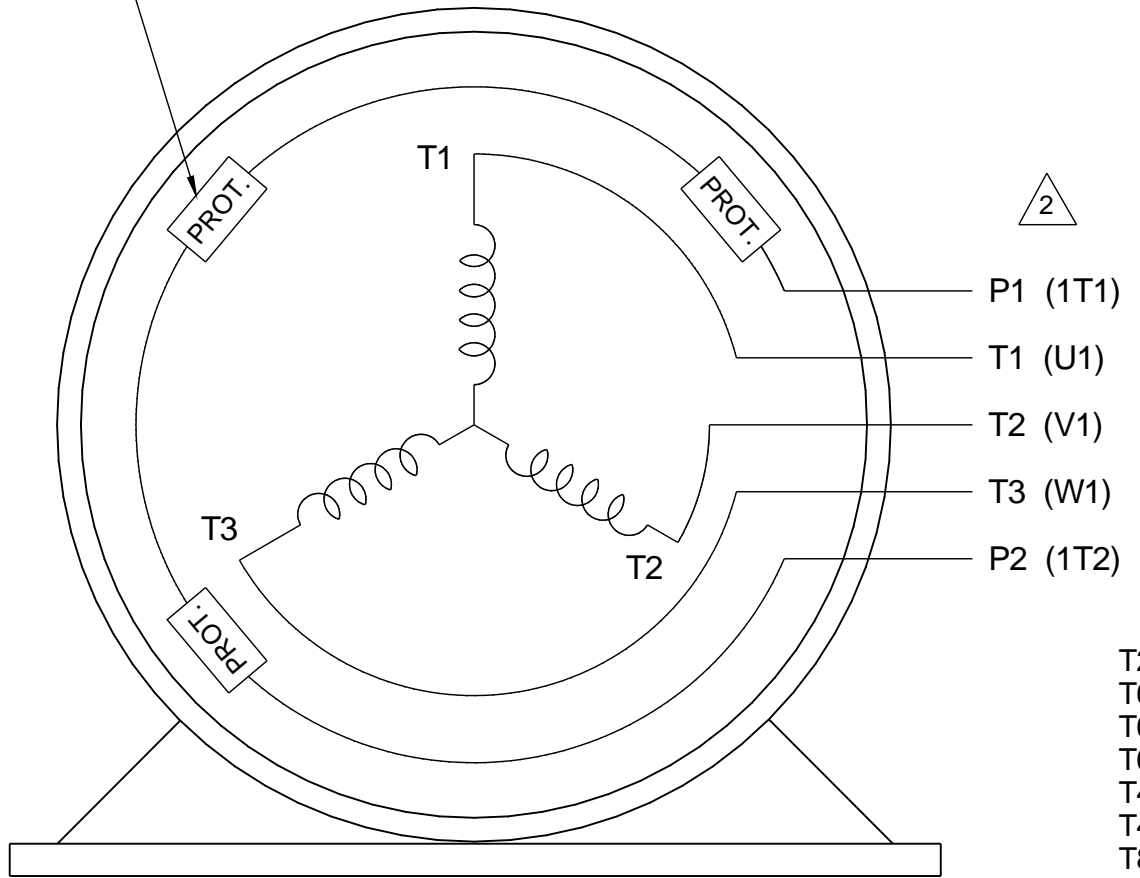
3 THERMO - PROTECTORS  
CONNECTED IN SERIES

TO REVERSE ROTATION:  
INTERCHANGE ANY TWO LINE  
LEAD CONNECTIONS

**NOTE FOR FACTORY USE ONLY:**

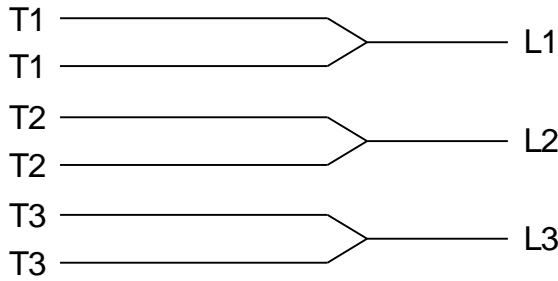
TO SURGE TEST:

FOR 3 LEAD COMMON CONNECT:  
CONNECT P1 TO T1, THEN P2 TO L1  
FOR 6 LEAD COMMON CONNECT:  
CONNECT P1 TO BOTH T1  
THEN P2 TO L1



- T2BM
- T6AW
- T6AL
- T6Z
- T4EG
- T4BF
- T8A
- T6H
- T6A
- T4AX
- T4A
- T2A
- T2F

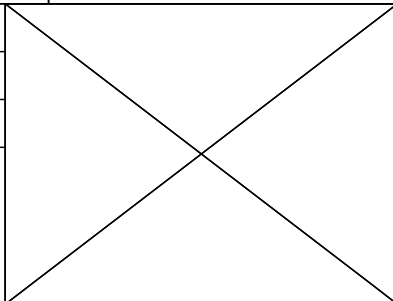
IF MOTOR HAS MULTIPLE T'S PER LEAD  
CONNECT TOGETHER LIKE T'S



A-9806 DECAL

VIEW OF TERMINAL END

DRAWING REVISION E	REVISION BY MSG	DATE 10-19-2016
ECO ECO-0111093	APPROVED BY TB	DATE 10-19-2016
ECO DESCRIPTION REDRAWN - REVISED TEXT		
<small>COPYRIGHT REGAL BELOIT AMERICA, INC. ALL RIGHTS RESERVED.                  PROPRIETARY AND CONFIDENTIAL INFORMATION - THIS DOCUMENT IS THE PROPERTY OF                  REGAL BELOIT AMERICA, INC. ('OWNER') AND CONTAINS OWNER'S PROPRIETARY                  INFORMATION. ANY PERSON, CORPORATION OR OTHER FIRM RECEIVING IT IS DEEMED,                  BY RECEIVING IT, TO AGREE THAT IT, AND/OR ANY PART OF IT, SHALL NOT BE DISCLOSED                  TO ANY PERSON, CORPORATION OR OTHER ENTITY, DUPLICATED, AND/OR USED, EXCEPT                  AS EXPRESSLY APPROVED IN WRITING IN ADVANCE BY OWNER. THIS DOCUMENT SHALL                  BE RETURNED TO OWNER UPON REQUEST. IT MAY BE SUBJECT TO CERTAIN                  RESTRICTIONS UNDER APPLICABLE EXPORT CONTROL LAWS AND REGULATIONS.</small>		



DRAWN BY NJS
DATE 05-15-2002
APPROVED BY ML
DATE 05-20-2002
REFERENCE
THIRD ANGLE PROJECTION

ELECTRIC MOTORS GEARMOTORS AND DRIVES		
		DESCRIPTION <b>CONNECTION DIAGRAM</b> 3 PHASE - SINGLE VOLT - MOTOR WITH PROTECTORS
MATERIAL	PROCESS/FINISH	
SIZE A	DRAWING NUMBER EE7300T-LE	SHEET 1 OF 1