

PRODUCT INFORMATION PACKET



Model No: 824542.00
Catalog No: 824542.00
Severe Duty Motor, 150 HP, 3 Ph, 60 Hz, 460 V, 1800 RPM, 445TV Frame, TEAO



Regal and Leeson are trademarks of Regal Rexnord Corporation or one of its affiliated companies.
©2022 Regal Rexnord Corporation, All Rights Reserved. MC017097E



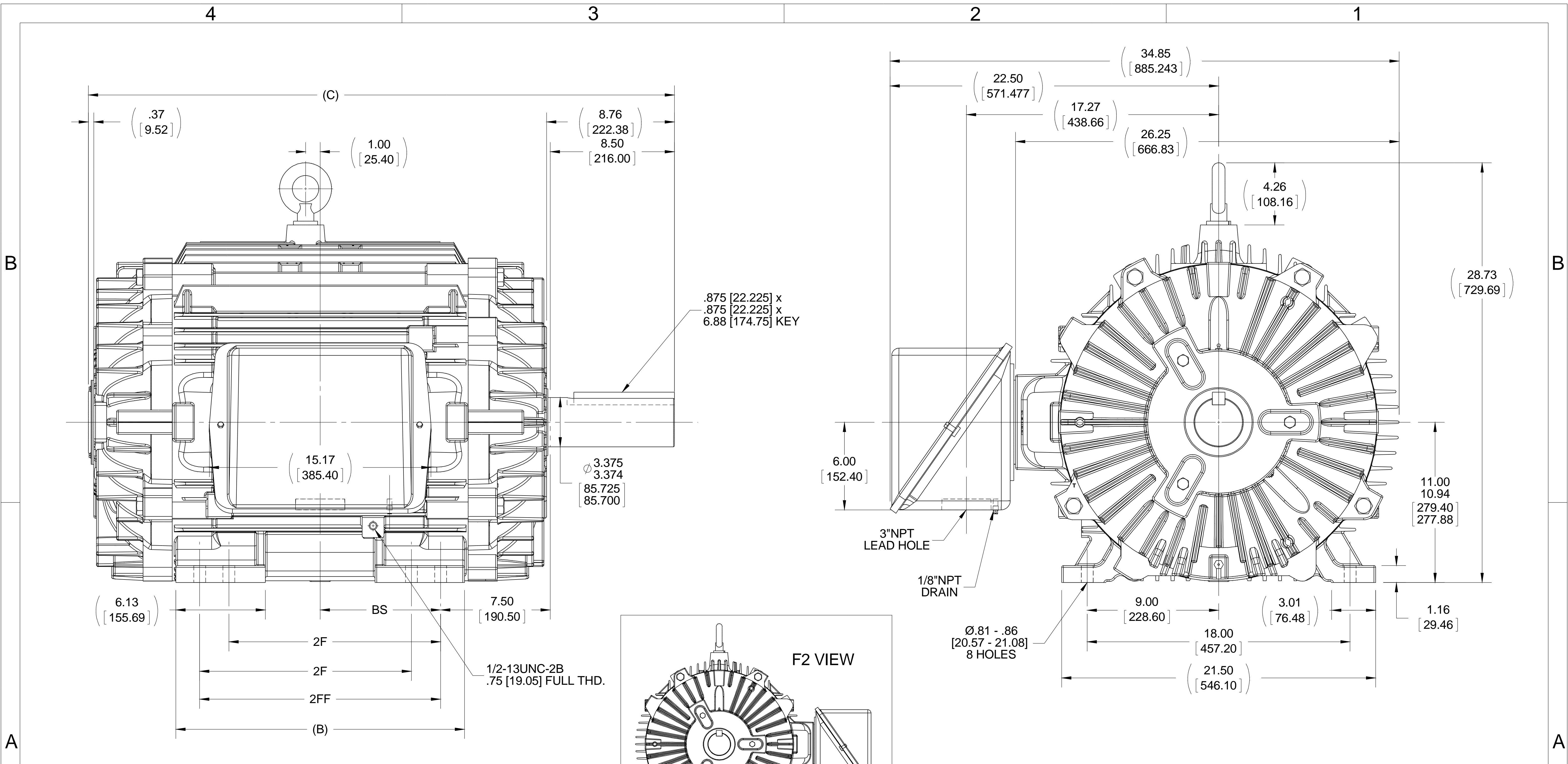


Nameplate Specifications

Output HP	150 Hp	Output KW	112.0 kW
Frequency	60 Hz	Voltage	460 V
Current	172.0 A	Speed	1785 rpm
Service Factor	1.15	Phase	3
Efficiency	95 %	Power Factor	86
Duty	Continuous	Insulation Class	F
Design Code	B	KVA Code	G
Frame	445TV	Enclosure	Totally Enclosed Air Over
Thermal Protection	No Protection	Ambient Temperature	40 °C
Drive End Bearing Size	6318	Opp Drive End Bearing Size	6316
UL	Recognized	CSA	Y
CE	Y	IP Code	56
Number of Speeds	1		

Technical Specifications

Electrical Type	Squirrel Cage Inverter Rated	Starting Method	Line Or Inverter
Poles	4	Rotation	Reversible
Resistance Main	.027 Ohms	Mounting	Rigid Base
Motor Orientation	Horizontal Or Up Or Down	Drive End Bearing	Ball
Opp Drive End Bearing	Ball	Frame Material	Cast Iron
Shaft Type	T	Overall Length	40.13 in
Frame Length	20.25 in	Shaft Diameter	3.375 in
Shaft Extension	8.5 in	Assembly/Box Mounting	F1/F2 CAPABLE
Inverter Load	VARIABLE 10:1		
Outline Drawing	B-SS555777LE-2025	Connection Drawing	A-EE7300S-LE



- NOTES:
 1. CONDUIT BOX CAN BE ROTATED IN 90° STEPS.
 2. CONDUIT BOX CAN BE MOUNTED ON OPPOSITE SIDE BY REMOVING BRACKETS AND TURNING FRAME 180°.
 3. NAMEPLATES TO BE READ FROM CONDUIT BOX SIDE OF MOTOR.

DASH	FRAME	B	C	2F	2FF	BS
2025	444/445T	19.76 [501.90]	40.13 [1019.30]	14.50 [368.30]	16.50 [419.10]	8.25 [209.55]

DRAWING REVISION D	REVISION BY AJW	DATE 05-12-2015
ECO ECO-0077385	APPROVED BY TDB	DATE 05-12-2015
ECO DESCRIPTION REMOVED "T" ON 1/8" CBOX DRAIN		
<small>COPYRIGHT REGAL BELOIT AMERICA, INC. ALL RIGHTS RESERVED. PROPRIETARY AND CONFIDENTIAL INFORMATION - THIS DOCUMENT IS THE PROPERTY OF REGAL BELOIT AMERICA, INC. ("OWNER") AND CONTAINS OWNER'S PROPRIETARY INFORMATION. ANY PERSON, CORPORATION OR OTHER FIRM RECEIVING IT IS DEEMED, BY RECEIVING IT, TO AGREE THAT IT, AND/OR ANY PART OF IT, SHALL NOT BE DISCLOSED TO ANY PERSON, CORPORATION OR OTHER ENTITY, DUPLICATED, AND/OR USED, EXCEPT AS EXPRESSLY APPROVED IN WRITING IN ADVANCE BY OWNER. THIS DOCUMENT SHALL BE RETURNED TO OWNER UPON REQUEST. IT MAY BE SUBJECT TO CERTAIN RESTRICTIONS UNDER APPLICABLE EXPORT CONTROL LAWS AND REGULATIONS.</small>		

TOLERANCES UNLESS OTHERWISE SPECIFIED:

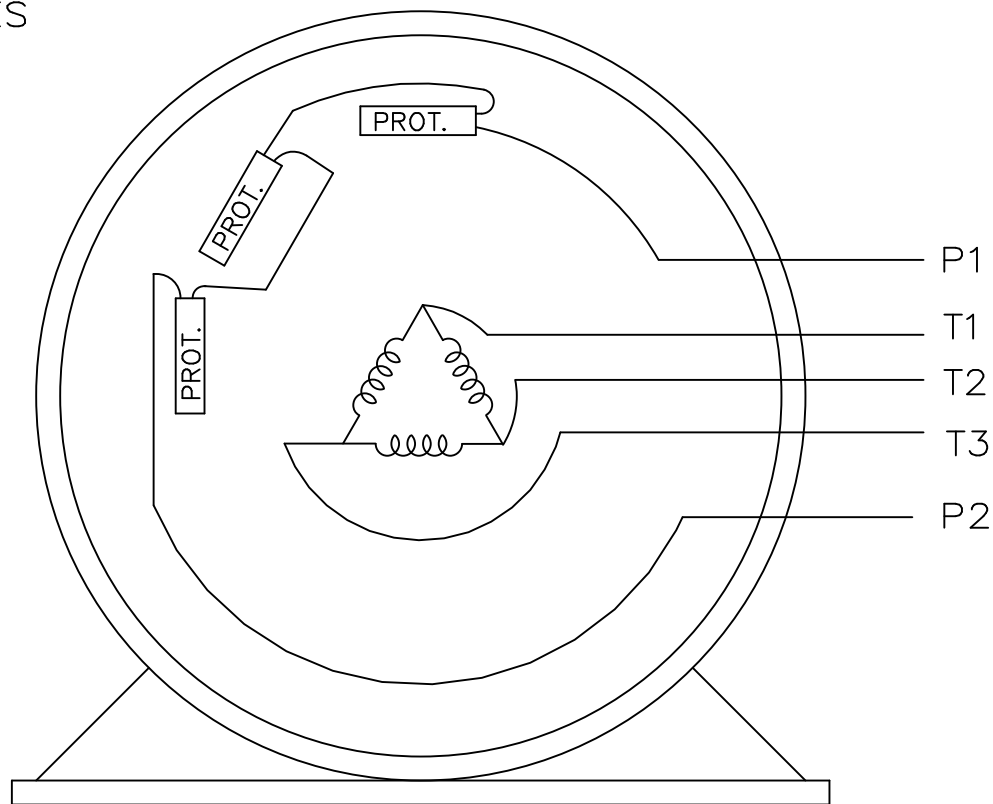
DEC.	INCH	mm	ANGLE
.X	±0.1	[±2.5]	±7° 30"
.XX	±0.03	[±0.76]	
.XXX	±0.005	[±0.127]	
.XXXX	±0.0005	[±0.0127]	

REMOVE BURRS & BREAK SHARP EDGES: .003/.015 [0.076/.381]
 CORNER FILLETS: .02 [51]
 MACHINED SURFACES: 200 INCH/mm 5.1
 mm SHOWN IN [BRACKETS]

DRAWN BY TDB
DATE 06-03-2013
APPROVED BY DJK
DATE 06-05-2013
REFERENCE
THIRD ANGLE PROJECTION

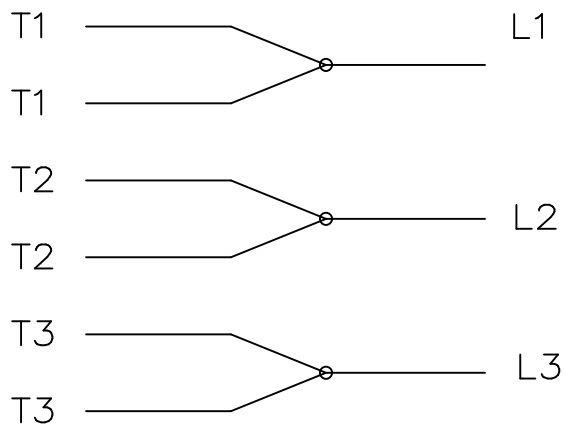
REGAL ™ Regal Beloit America, Inc.	
DESCRIPTION OUTLINE 440T FR. - TENV - T-DRAIN	
MATERIAL	PROCESS/FINISH
SIZE B	DRAWING NUMBER SS555777LE
SHEET 1 OF 1	

SINGLE VOLTAGE
THREE PHASE MOTOR
WITH 2 LEADS OUT FROM PROTECTORS
PROTECTORS CONNECTED IN SERIES




VIEW OF TERMINAL END

IF MOTOR HAS
6 LEADS



A-9806 DECAL

				TOLERANCES UNLESS SPECIFIED		 ELECTRIC MOTORS GEARMOTORS AND DRIVES	DRAWN DRS 01-21-2003		
				DEC.	INCHES		CHK	ML 01-21-2003	
				.X	± -		APPD	TB 01-21-2003	
				.XX	± -		SCALE 1=1		
				.XXX	± -		REF		
1	NEW DRAWING CN 36098	DRS 01-21-2003	TB	.XXXX	± -	MAT'L.	FMF		
NO.	REVISION	BY & DATE	CHK	ANG	± -	FINISH	PREV		
THIS DRAWING IN DESIGN AND DETAIL IS OUR PROPERTY AND MUST NOT BE USED EXCEPT IN CONNECTION WITH OUR WORK ALL RIGHTS OF DESIGN AND INVENTION ARE RESERVED THIS IS AN ELECTRONICALLY GENERATED DOCUMENT - DO NOT SCALE THIS PRINT				RFP	CAD FILE EE7300S-		SIZE	DRAWING NO. PAGE OF	REV.
				DIST LB			A	EE7300S-LE	1



**1051 CHEYENNE AVE.
GRAFTON, WI 53024
PH. 262-377-8810**

CATALOG #: 824542.00

CONN. DIAGRAM: A-EE7300S-LE

OUTLINE: B-SS555777LE-2025

MOUNTING: F1/F2 CAPABLE

WINDING #: T4454141 R5 1

TYPICAL MOTOR PERFORMANCE DATA

HP	kW	SYNC. RPM	F.L. RPM	FRAME	ENCLOSURE	KVA CODE	DESIGN
150	112	1800	1785	445TV	TEAO	G	B

PH	Hz	VOLTS	AMPS	START TYPE	DUTY	INSL	S.F.	AMB°C
3	60	460	172	LINE OR INVERTER	CONTINUOUS	F1	1.15	40

FULL LOAD EFF:	95	3/4 LOAD EFF:	94.5	1/2 LOAD EFF:	93	GTD. EFF		ELEC. TYPE	
FULL LOAD PF:	86	3/4 LOAD PF:	82.5	1/2 LOAD PF:	75.5	94.1		SQ CAGE INV RATED	

F.L. TORQUE	LOCKED ROTOR AMPS	L.R. TORQUE	B.D. TORQUE	F.L. RISE°C
441 LB-FT	1085	750 LB-FT 170 %	1215 LB-FT 276 %	0

SOUND PRESSURE @ 3 FT.	SOUND POWER	ROTOR WK^2	MAX. WK^2	SAFE STALL TIME	STARTS / HOUR	APPROX. MOTOR WGT
- dBA	- dBA	47 LB-FT^2	1000 LB-FT^2	20 SEC.	2	1950 LBS.

***** SUPPLEMENTAL INFORMATION *****

DE BRACKET TYPE	ODE BRACKET TYPE	MOUNT TYPE	ORIENTATION	SEVERE DUTY	HAZARDOUS LOCATION	DRIP COVER	SCREENS	PAINT
STANDARD	STANDARD	RIGID	HORIZONTAL OR UP OR DOWN	PREMIUM SEVERE DUTY	NONE	FALSE	NONE	BLUE (EPOXY)

BEARINGS		GREASE	SHAFT TYPE	SPECIAL DE	SPECIAL ODE	SHAFT MATERIAL	FRAME MATERIAL
DE	ODE						
BALL 6318	BALL 6316	POLYREX EM	T	NONE	NONE	1045 HOT ROLLED (C-204)	CAST IRON

THERMO-PROTECTORS				THERMISTORS	CONTROL	SPACE HEATERS
THERMOSTATS	PROTECTORS	WDG RTDs	BRG RTDs			
TSTATS (N/C)	NOT	NONE	NONE	NONE	FALSE	NONE VOLTS

*
N
O
T
E

INVERTER TORQUE: VARIABLE 10:1
INV. HP SPEED RANGE: NONE
ENCODER: NONE NONE NONE NONE NONE PPR
BRAKE: NONE NONE NONE P/N NONE NONE NONE NONE FT-LB NONE V NONE Hz

Data Sheet

Date: 1/22/2018

824542.00



Data @ **460 V**

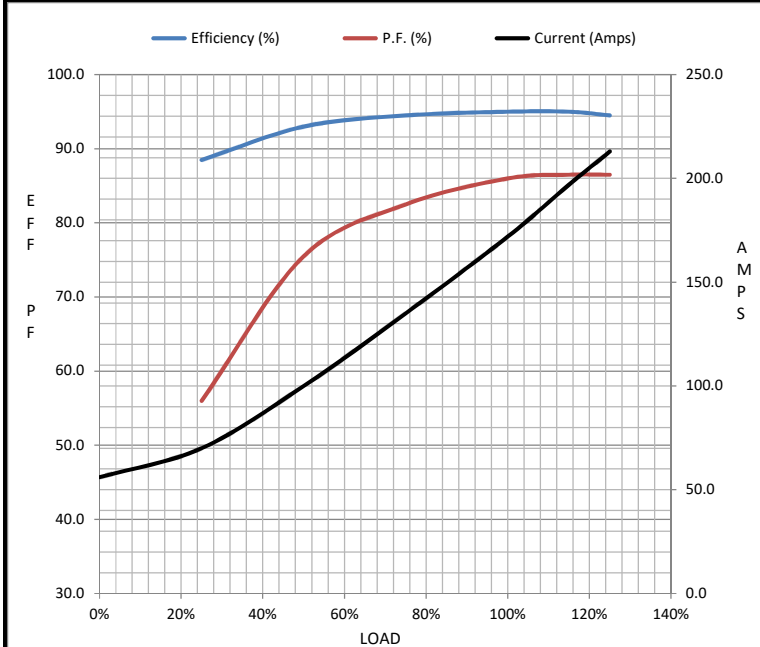
Motor Load Data

Load	0%	25%	50%	75%	100%	115%	125%	LR
Current (Amps)	56.0	70.0	100	135	172	197	213	1,085
Torque (ft-lb)	0.00	110	220	330	441	508	553	750
RPM	1800	1795	1792	1790	1785	1,782	1780	0
Efficiency (%)		88.5	93.0	94.5	95.0	95.0	94.5	
P.F. (%)	7.5	56.0	75.5	82.5	86.0	86.5	86.5	28.0

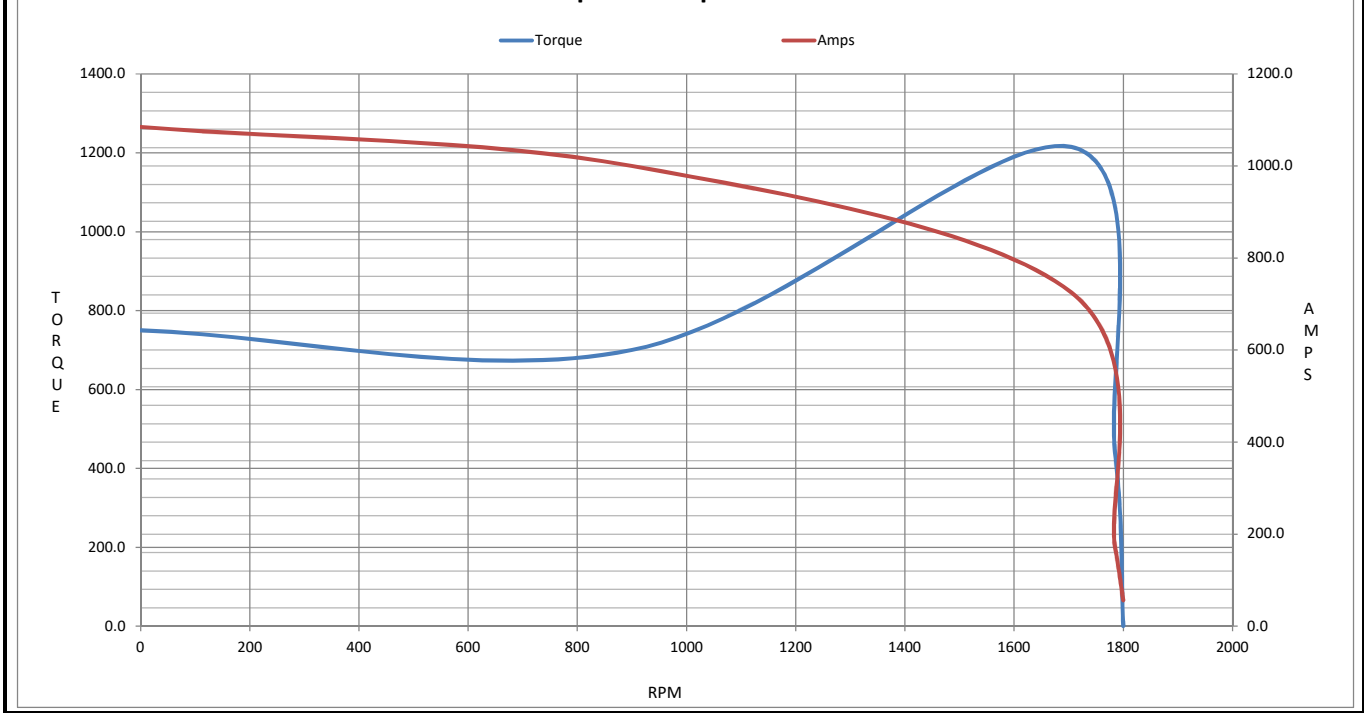
Motor Speed Data

	LR	Pull-Up	BD	Rated	Idle
Speed (RPM)	0	900	1705	1785	1800
Current (Amps)	1,085	1,000	725	172	56.0
Torque (ft-lb)	750	700	1,215	441	0.00

Information Block				
HP	150.0			
Sync. RPM	1800			
Frame	445			
Enclosure	TEAO			
Construction	TTN			
Voltage	460 V			
Frequency	60 Hz			
Design	A			
LR Code letter	G			
Service Factor	1.15			
Temp Rise @ FL	0 °C			
Duty	CONT			
Ambient	40 °C			
Elevation	1,000 feet			
Rotor/Shaft wk ²	47.0 Lb-Ft ²			
Ref Wdg	T4454141 R5			
Sound Pressure @ 1M	999 dBA			
VFD Rating	VARIABLE 10:1			
Outline Dwg	B-SS55777LE-2025			
Conn. Diag	A-EE7300S-LE			
Additional Specifications:				
0				
0				
EQUIV CKT (OHMS / PHASE)				
R1	R2	X1	X2	Xm
0.0210	0.0120	0.1690	0.1570	4.3850



Speed - Torque Curve



EC Declaration of Conformity

The undersigned representing
the manufacturer:

Regal Beloit America
100 East Randolph St.
Wausau, WI 54401

and the authorized representative
established within the Community:

Marathon Electric UK
6F Thistleton Road Ind. Estate
Market Overton
Oakham, Rutland LE15 7PP UK

are committed to providing customers with products that comply with applicable regulations and international protocols to which they are subject, including the requirements of the European Parliament Directive on the Harmonization of the laws relating to electrical equipment designed for use within certain voltage limits (2014/35/EU).

Regal Beloit America declares that the following product(s), to which this declaration relates, are in conformity with the relevant sections of the EC standards listed below.

This statement supersedes any statements previously issued pertaining to the product(s) listed below and is subject to change without notice.

Model No : 824542.00

(Model No. may contain prefix and/or suffix characters)

Catalog No : 824542.00

Rework No : N/A

Directives :

Low Voltage Directive 2014/35/EU

Harmonized Standards Used :

EN 60034-1: 2010 (IEC 60034-1: 2010)

EN 60034-5: 2001/A1:2007 (IEC 60034-5: 2000/A1:2006)

Authorized Representative:



Michael A. Logsdon
Vice President, Technology

Authorized Representative in the Community:



Julian Clark
Marketing Engineer

Created on 09/01/2022

CE 22