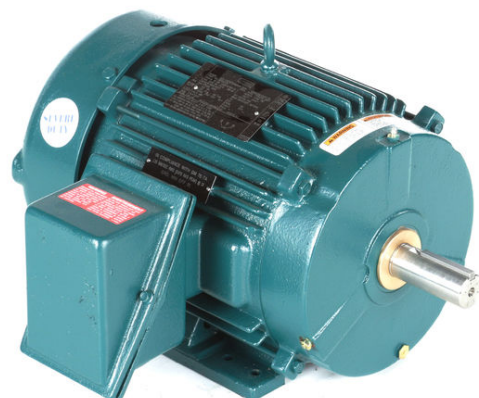


PRODUCT INFORMATION PACKET



Model No: 811650.00
Catalog No: 811650.00
5 HP Severe Duty Motor, 3 phase, 1200 RPM, 460 V, 215T Frame, TEFC
Severe Duty Motors



Regal and Leeson are trademarks of Regal Rexnord Corporation or one of its affiliated companies.
©2021 Regal Rexnord Corporation, All Rights Reserved. MC017097E





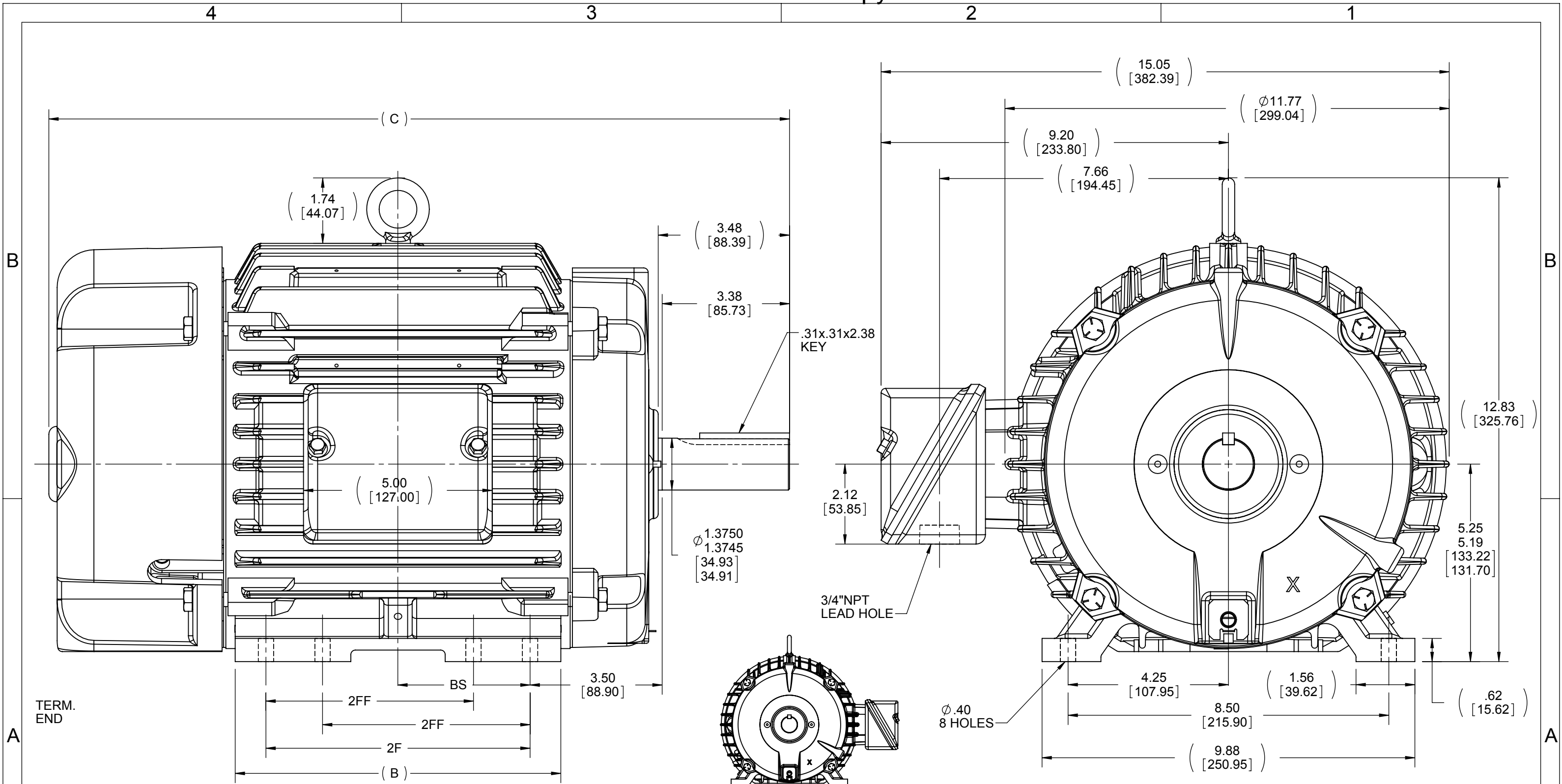
Nameplate Specifications

Output HP	5 Hp	Output KW	3.7 kW
Frequency	60 Hz	Voltage	460 V
Current	6.9 A	Speed	1170 rpm
Service Factor	1.15	Phase	3
Efficiency	89.5 %	Power Factor	76
Duty	Continuous	Insulation Class	F
Design Code	B	KVA Code	H
Frame	215T	Enclosure	Totally Enclosed Fan Cooled
Thermal Protection	No	Ambient Temperature	40 °C
Drive End Bearing Size	6307	Opp Drive End Bearing Size	6208
UL	Recognized	CSA	Y
CE	Y	IP Code	56
Number of Speeds	1		

Technical Specifications

Electrical Type	Squirrel Cage Inverter Rated	Starting Method	Line Or Inverter
Poles	6	Rotation	Reversible
Resistance Main	1.898 Ohms	Mounting	Rigid Base
Motor Orientation	Horizontal	Drive End Bearing	Ball
Opp Drive End Bearing	Ball	Frame Material	Cast Iron
Shaft Type	T	Overall Length	22.63 in
Frame Length	12.12 in	Shaft Diameter	1.375 in
Shaft Extension	3.38 in	Assembly/Box Mounting	F1/F2 CAPABLE
Connection Drawing	EE7300-LE	Outline Drawing	037657-1212

This is an uncontrolled document once printed or downloaded and is subject to change without notice. Date Created:10/12/2021



- NOTES:
1. CONDUIT BOX CAN BE ROTATED IN 90° STEPS.
 2. CONDUIT BOX CAN BE MOUNTED IN OPPOSITE SIDE BY REMOVING BRACKETS AND TURNING FRAME 180°.
 3. NAMEPLATE TO BE READ FROM CONDUIT BOX SIDE OF MOTOR.

1212	213/215	22.63	11.76	10	7	5
912	213/215	19.63	8.63	7	5.5	3.5
DASH	FRAME	C	B	2F	2FF	BS

DRAWING REVISION E	REVISION BY UD	DATE 02/13/14
ECO ECO-0044824	APPROVED BY SR	DATE 02/13/14
ECO DESCRIPTION ADDED F2 VIEW		
<small>COPYRIGHT REGAL BELOIT AMERICA, INC. ALL RIGHTS RESERVED. PROPRIETARY AND CONFIDENTIAL INFORMATION - THIS DOCUMENT IS THE PROPERTY OF REGAL BELOIT AMERICA, INC. ("OWNER") AND CONTAINS OWNER'S PROPRIETARY INFORMATION. ANY PERSON, CORPORATION OR OTHER FIRM RECEIVING IT IS DEEMED, BY RECEIVING IT, TO AGREE THAT IT, AND/OR ANY PART OF IT, SHALL NOT BE DISCLOSED TO ANY PERSON, CORPORATION OR OTHER ENTITY, DUPLICATED, AND/OR USED, EXCEPT AS EXPRESSLY APPROVED IN WRITING IN ADVANCE BY OWNER. THIS DOCUMENT SHALL BE RETURNED TO OWNER UPON REQUEST. IT MAY BE SUBJECT TO CERTAIN RESTRICTIONS UNDER APPLICABLE EXPORT CONTROL LAWS AND REGULATIONS.</small>		

TOLERANCES UNLESS OTHERWISE SPECIFIED:

DEC.	INCH	mm	ANGLE
.X	±0.1	[±2.5]	±0.5°
.XX	±0.01	[±0.25]	
.XXX	±0.005	[±0.127]	
.XXXX	±0.0005	[±0.0127]	

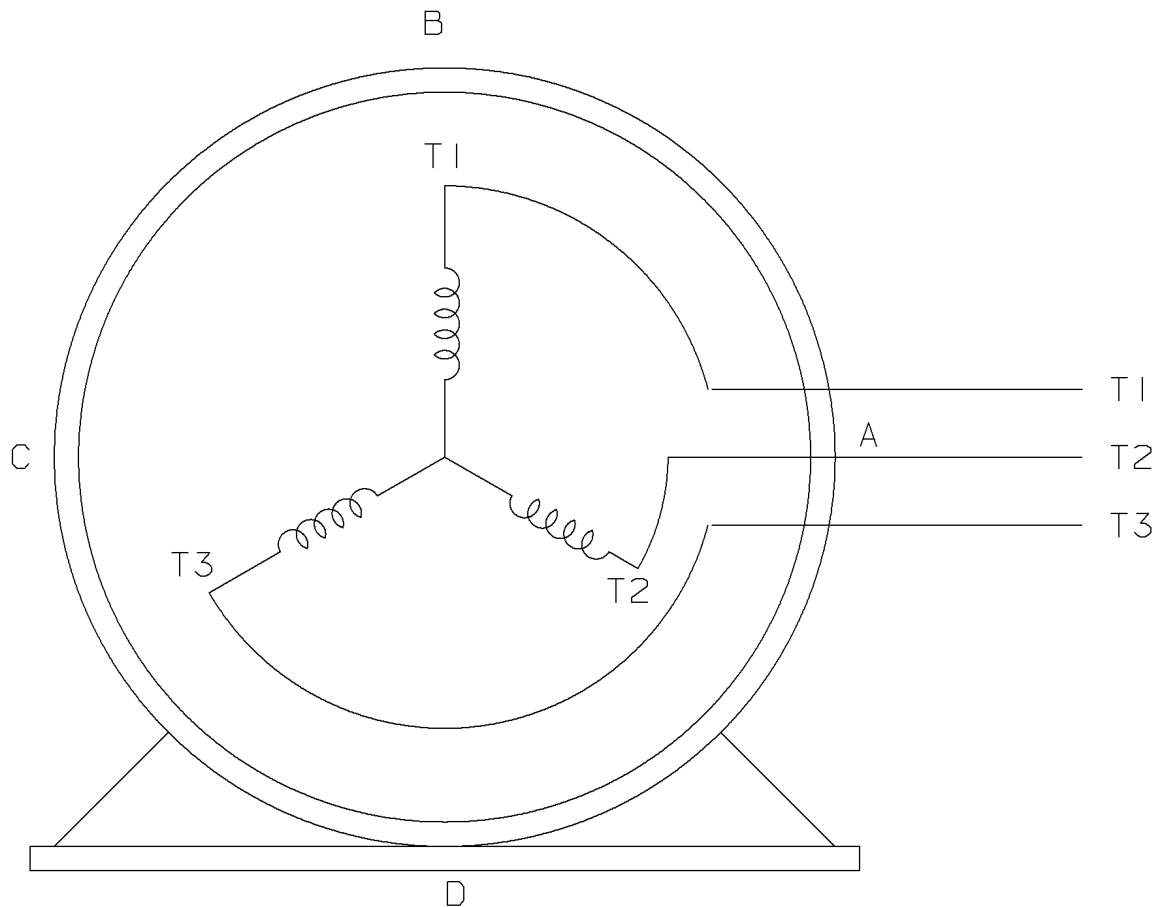
REMOVE BURRS & BREAK SHARP
 EDGES: .003/.015 [0.076/.381]
 CORNER FILLETS: .02 [0.51]
 MACHINED SURFACES: 125 INCH 3.2 mm
 mm SHOWN IN [BRACKETS]

DRAWN BY AK	DATE 09/09/2009
APPROVED BY	DATE
PROCESS/FINISH	THIRD ANGLE PROJECTION

REGAL ™ Regal Beloit America, Inc.	
DESCRIPTION	OUTLINE
MATERIAL	SIZE B
DRAWING NUMBER	037657
SHEET	1 OF 1

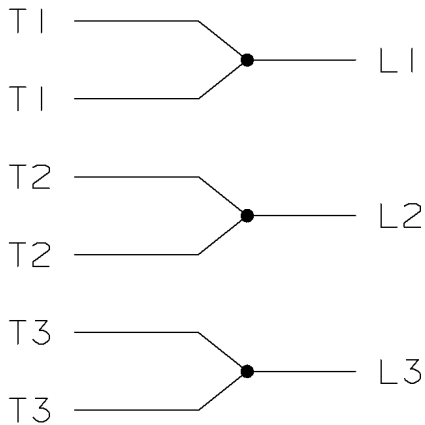
THREE PHASE - SINGLE VOLTAGE
MOTOR - CONDUIT BOX @ 'A'

TO REVERSE ROTATION:
INTERCHANGE ANY TWO LINE
LEAD CONNECTIONS




VIEW OF TERMINAL END

IF MOTOR HAS
6 LEADS



A-9806 DECAL

				TOLERANCES UNLESS SPECIFIED		 ELECTRIC MOTORS GEARMOTORS AND DRIVES	DRAWN MSG 05-22-2002			
				DEC.	TOLERANCE		CHK ML 05-22-2002			
				.X	± .1		APPD GK 05-22-2002			
				.XX	± .02		SCALE			
				.XXX	± .005		REF			
1	NEW DRAWING	MSG	05-22-2002	ML	.XXXX ± .0005	<input checked="" type="checkbox"/> SURFACE ROUGHNESS UNLESS SPECIFIED	MAT'L.	FMF		
NO.	REVISION	BY	DATE	CHK	ANG ± 7'30'	FINISH	PREV			
THIS DRAWING IN DESIGN AND DETAIL IS OUR PROPERTY AND MUST NOT BE USED EXCEPT IN CONNECTION WITH OUR WORK. ALL RIGHTS OF DESIGN AND INVENTION ARE RESERVED. THIS IS AN ELECTRONICALLY GENERATED DOCUMENT - DO NOT SCALE THIS PRINT				PURCHASED		CAD FILE EE7300-LE	SHOP BOOK	SIZE	DRAWING NO.	REV.
				DIST WA - LB - WP - LM - BR - BY				A	EE7300-LE	I

P.O. BOX 8003
WAUSAU, WI 54401-8003
PH. 715-675-3311



DATA VOLTS: 460

CERTIFICATION DATA SHEET

CONN. DIAGRAM: EE7300-LE
OUTLINE: 037657-1212
WINDING: K2156184

CAT #: 811650.00

NONE 1

TYPICAL MOTOR PERFORMANCE DATA

HP	KW	SYNC RPM	FL RPM	FRAME	ENCLOSURE	TYPE	KVA CODE	DESIGN
5	3.7	1200	1170	215T	TEFC	TFN	H	B

PH	HZ	VOLTS	AMPS	START TYPE	DUTY	INSL	S.F.	AMB	ELEV.
3	60	460	6.9	LINE OR INVERTER	CONT	F	1.15	40	3300

F.L. EFF	89.5	3/4 LD EFF	89.6	1/2 LD EFF	88.3	GTD EFF	87.5	ELECT. TYPE	SQ CAGE INV RATED
F.L. PF	76.0	3/4 LD PF	69.4	1/2 LD PF	57.7				

F.L. TORQUE	LR AMPS @ 460 V	L.R. TORQUE	B.D. TORQUE	F.L. RISE (°C)
22.5 LB-FT	46.0	49.0 LB-FT 218%	70.0 LB-FT 311%	60

PRESSURE @ 3	POWER	ROTOR WK²	MAX. LOAD WK²	SAFE STALL TIME	STARTS/HOUR	MOTOR WGT
55 dBA	64 dBA	0.95 LB-FT²	110 LB-FT²	25 SEC.	2	215 LB.

*** SUPPLEMENTAL INFORMATION ***

DE BRACKET TYPE	ODE BRACKET TYPE	MOUNT TYPE	MOTOR ORIENTATION	SEVERE DUTY	HAZARDOUS LOCATION	DRIP COVER	SCREENS	PAINT
STANDARD	STANDARD	RIGID	HORIZONTAL	UM SEVERE	DIVISION 2 T2B	NO	NONE	JE - LEESON (ENAM)

BEARINGS		GREASE	SHAFT TYPE	SPECIAL DE	SPECIAL ODE	SHAFT MATERIAL	FRAME MATERIAL
DE	ODE						
BALL	BALL	POLYREX EM	T	NONE	NONE	1144 STRESSPROOF (C-223)	CAST IRON
6307	6208						

THERMOSTATS	PROTECTORS	WDG RTD's	BRG RTD's	THERMISTORS	CONTROL	SPACE HEATERS
NONE	NOT	NONE	NONE	NONE	FALSE	NA

R1 (ohms/ph)	R2 (ohms/ph)	X1 (ohms/ph)	X2 (ohms/ph)	Xm (ohms/ph)	VIBRATION (in/sec)	FLOAT
1.136	1.181	4.788	5.226	69.296	0.080	ODE

* N O T E S *	INVERTER TORQUE: CONSTANT 10:1 INV. HP SPEED RANGE: NONE	
	ENCODER: NONE NONE NONE	
	NONE PPR	
	BRAKE: NONE NONE NONE	
	FT-LB: NA VOLTAGE: NONE HZ:	

DATE: 1/30/2018	UL: Y-(LEESON UL REC)
-----------------	-----------------------

Data Sheet

Date: 1/30/2018

811650.00



Data @ **460 V**

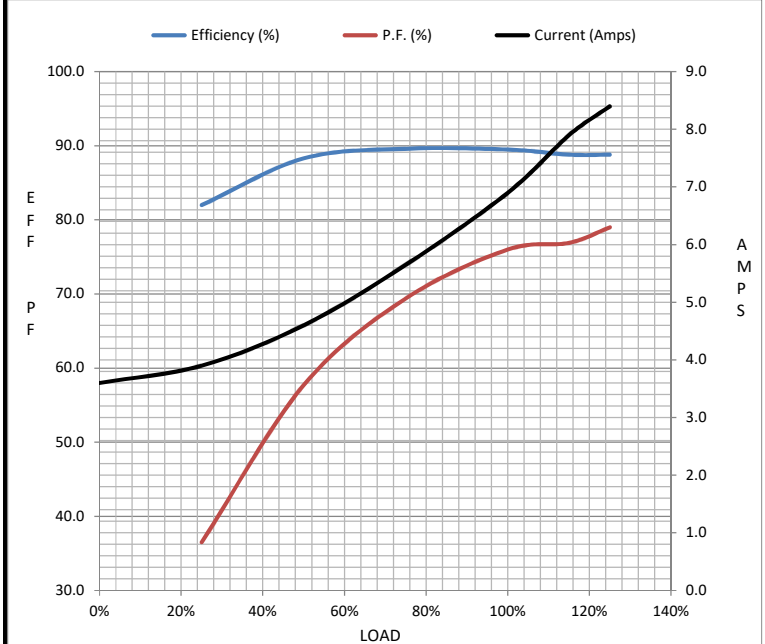
Motor Load Data

Load	0%	25%	50%	75%	100%	115%	125%	LR
Current (Amps)	3.6	3.9	4.6	5.7	6.9	7.9	8.4	46.0
Torque (ft-lb)	0.00	5.5	11.1	16.8	22.5	26.0	28.5	49.0
RPM	1200	1192	1185	1177	1170	1,164	1160	0
Efficiency (%)		82.0	88.3	89.6	89.5	88.8	88.8	
P.F. (%)	7.0	36.5	57.7	69.4	76.0	76.9	79.0	45.5

Motor Speed Data

	LR	Pull-Up	BD	Rated	Idle
Speed (RPM)	0	600	1030	1170	1200
Current (Amps)	46.0	40.0	30.0	6.9	3.6
Torque (ft-lb)	49.0	45.0	70.0	22.5	0.00

Information Block				
HP	5.0			
Sync. RPM	1200			
Frame	215			
Enclosure	TEFC			
Construction	TFN			
Voltage	460 V			
Frequency	60 Hz			
Design	B			
LR Code letter	H			
Service Factor	1.15			
Temp Rise @ FL	60 °C			
Duty	CONT			
Ambient	40 °C			
Elevation	1,000 feet			
Rotor/Shaft wk ²	0.95 Lb-Ft ²			
Ref Wdg	K2156184 NONE			
Sound Pressure @ 1M	55 dBA			
VFD Rating	CONSTANT 10:1			
Outline Dwg	037657-1212			
Conn. Diag	EE7300-LE			
Additional Specifications:				
0				
0				
EQUIV CKT (OHMS / PHASE)				
R1	R2	X1	X2	Xm
1.1360	1.1810	4.7880	5.2260	69.2960



Speed - Torque Curve

