

# PRODUCT INFORMATION PACKET

Model No: 811630.00

Catalog No: 811630.00

Speed Ratio Motors, TENV, 10 HP, 3 Ph, 60 Hz, 230/460 V, 1160 RPM, 256TC Frame



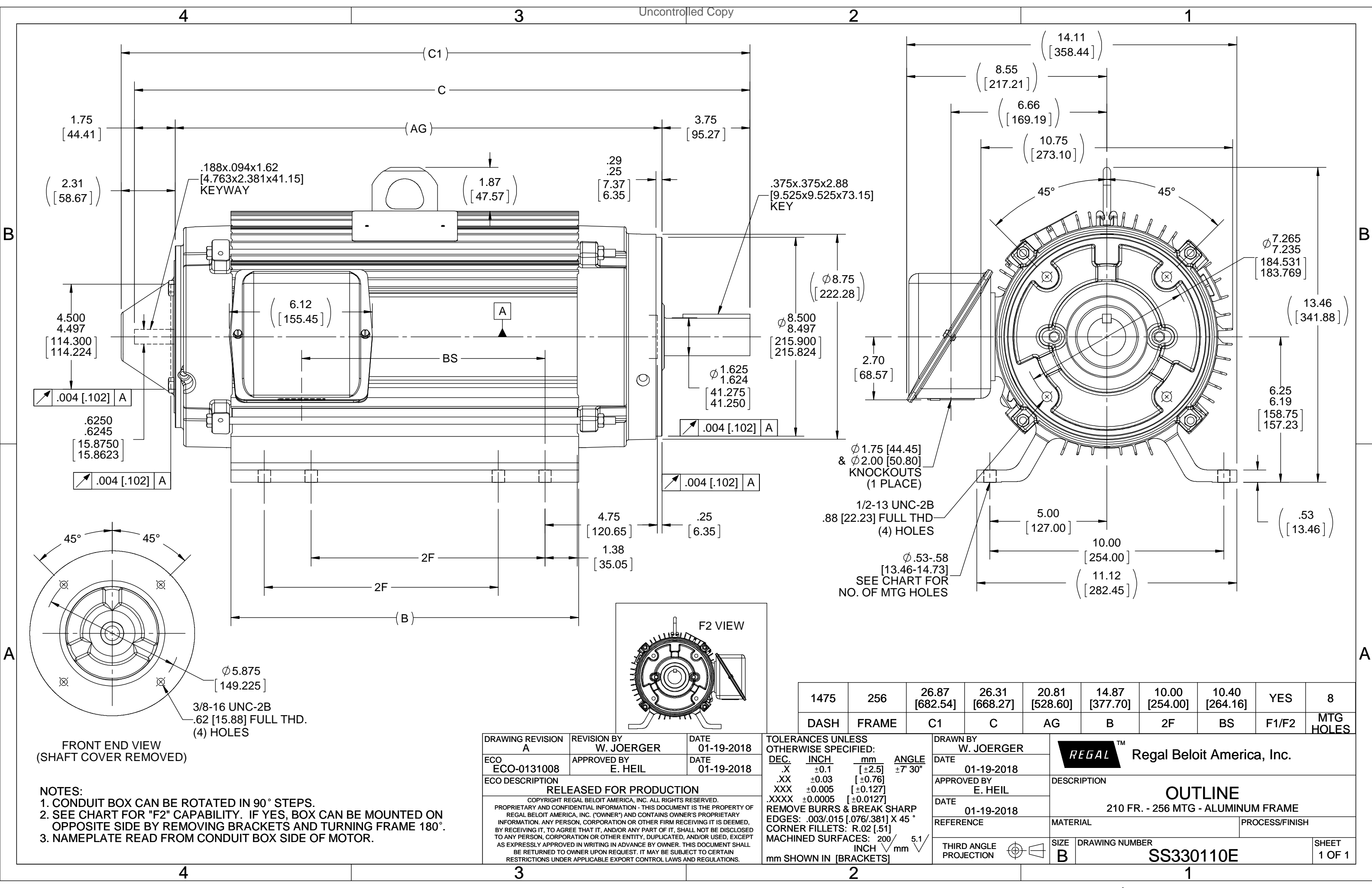
Regal and are trademarks of Regal Rexnord Corporation or one of its affiliated companies.  
©2022 Regal Rexnord Corporation, All Rights Reserved. MC017097E

**Nameplate Specifications**

Output HP	<b>10 Hp</b>	Output KW	<b>7.5 kW</b>
Frequency	<b>60 Hz</b>	Voltage	<b>230/460 V</b>
Current	<b>28.0/14.0 A</b>	Speed	<b>1160 rpm</b>
Service Factor	<b>1</b>	Phase	<b>3</b>
Efficiency	<b>89.5 %</b>	Power Factor	<b>75.5</b>
Duty	<b>Continuous</b>	Insulation Class	<b>F</b>
Design Code	<b>INV</b>	KVA Code	<b>J</b>
Frame	<b>256TC</b>	Enclosure	<b>Totally Enclosed Non Ventilated</b>
Thermal Protection	<b>No Protection</b>	Ambient Temperature	<b>40 °C</b>
Drive End Bearing Size	<b>6309</b>	Opp Drive End Bearing Size	<b>6206</b>
UL	<b>Recognized</b>	CSA	<b>Y</b>
CE	<b>Y</b>	IP Code	<b>43</b>
Number of Speeds	<b>1</b>		

**Technical Specifications**

Electrical Type	<b>Squirrel Cage Inverter Duty</b>	Starting Method	<b>Inverter Only</b>
Poles	<b>6</b>	Rotation	<b>Reversible</b>
Resistance Main	<b>.765 Ohms</b>	Mounting	<b>Rigid Base</b>
Motor Orientation	<b>Horizontal</b>	Drive End Bearing	<b>Ball</b>
Opp Drive End Bearing	<b>Ball</b>	Frame Material	<b>Aluminum</b>
Shaft Type	<b>T</b>	Overall Length	<b>26.31 in</b>
Frame Length	<b>14.75 in</b>	Shaft Diameter	<b>1.625 in</b>
Shaft Extension	<b>3.75 in</b>	Assembly/Box Mounting	<b>F1/F2 CAPABLE</b>
Connection Drawing	<b>A-EE7308T-LE</b>	Outline Drawing	<b>B-SS330110E-1475</b>



- NOTES:**
1. CONDUIT BOX CAN BE ROTATED IN 90° STEPS.
  2. SEE CHART FOR "F2" CAPABILITY. IF YES, BOX CAN BE MOUNTED ON OPPOSITE SIDE BY REMOVING BRACKETS AND TURNING FRAME 180°.
  3. NAMEPLATE READ FROM CONDUIT BOX SIDE OF MOTOR.

DRAWING REVISION A	REVISION BY W. JOERGER	DATE 01-19-2018
ECO ECO-0131008	APPROVED BY E. HEIL	DATE 01-19-2018
RELEASED FOR PRODUCTION		
<small>COPYRIGHT REGAL BELOIT AMERICA, INC. ALL RIGHTS RESERVED. PROPRIETARY AND CONFIDENTIAL INFORMATION - THIS DOCUMENT IS THE PROPERTY OF REGAL BELOIT AMERICA, INC. ("OWNER") AND CONTAINS OWNER'S PROPRIETARY INFORMATION. ANY PERSON, CORPORATION OR OTHER FIRM RECEIVING IT IS DEEMED, BY RECEIVING IT, TO AGREE THAT IT, AND/OR ANY PART OF IT, SHALL NOT BE DISCLOSED TO ANY PERSON, CORPORATION OR OTHER ENTITY, DUPLICATED, AND/OR USED, EXCEPT AS EXPRESSLY APPROVED IN WRITING IN ADVANCE BY OWNER. THIS DOCUMENT SHALL BE RETURNED TO OWNER UPON REQUEST. IT MAY BE SUBJECT TO CERTAIN RESTRICTIONS UNDER APPLICABLE EXPORT CONTROL LAWS AND REGULATIONS.</small>		

TOLERANCES UNLESS OTHERWISE SPECIFIED:

DEC.	INCH	mm	ANGLE
X	±0.1	[±2.5]	±7° 30"
.XX	±0.03	[±0.76]	
.XXX	±0.005	[±0.127]	
.XXXX	±0.0005	[±0.0127]	

REMOVE BURRS & BREAK SHARP EDGES: .003/.015 [.076/.381] X 45° CORNER FILLETS: R.02 [.51] MACHINED SURFACES: 200 INCH/mm 5.1

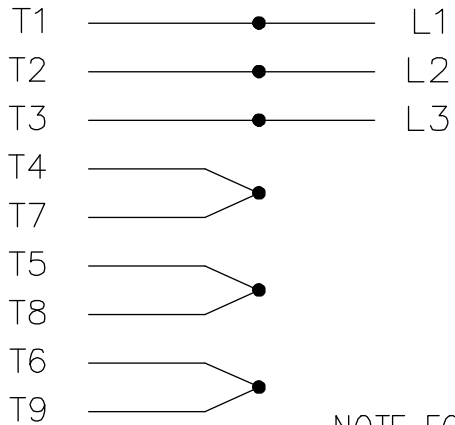
DRAWN BY W. JOERGER
DATE 01-19-2018
APPROVED BY E. HEIL
DATE 01-19-2018
REFERENCE
THIRD ANGLE PROJECTION

<b>REGAL</b> ™ Regal Beloit America, Inc.	
DESCRIPTION <b>OUTLINE</b>	
210 FR. - 256 MTG - ALUMINUM FRAME	
MATERIAL	PROCESS/FINISH
SIZE <b>B</b>	DRAWING NUMBER <b>SS330110E</b>
	SHEET 1 OF 1

1475	256	26.87 [682.54]	26.31 [668.27]	20.81 [528.60]	14.87 [377.70]	10.00 [254.00]	10.40 [264.16]	YES	8
DASH	FRAME	C1	C	AG	B	2F	BS	F1/F2	MTG HOLES

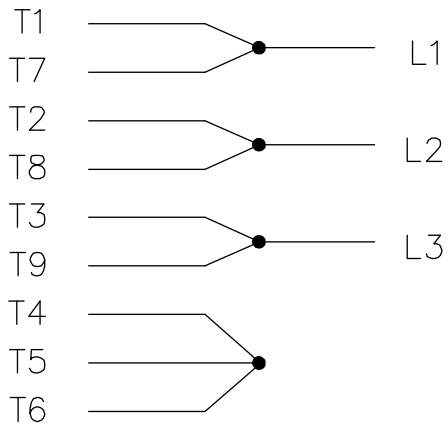
THREE PHASE  
DUAL VOLTAGE MOTOR

HIGH VOLTAGE

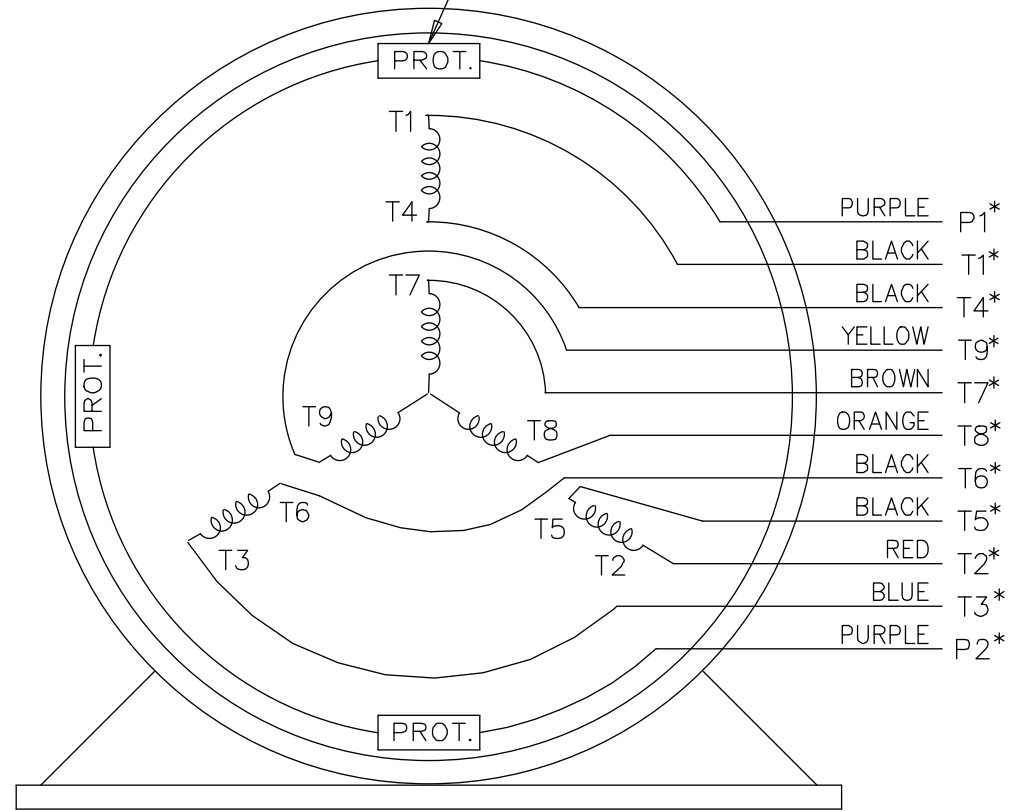


NOTE FOR FACTORY USE ONLY:  
 TO SURGE TEST FOR COMMON CONNECT:  
 HIGH VOLT: CONNECT P1 TO T1  
 THEN P2 TO L1  
 LOW VOLT: CONNECT P1 TO T1 & T7,  
 THEN P2 TO L1

LOW VOLTAGE



THREMO-PROTECTORS  
CONNECTED IN SERIES.



VIEW OF TERMINAL END

\* USE LEADS AS PER PLANT STANDARD IRRWSPECTIVE OF THEIR COLOUR.

NO.	REVISION	BY & DATE	CHK	ANG	TOLERANCES UNLESS SPECIFIED		FINISH	DRAWN TJB 05-07-2002	
					DEC.	INCHES			
05	ADDED * NOTE PER ECN # 26921	UD 01-30-2013	JD	DEC.	INCHES			CHK ML 05-08-2002	
04	ADDED COLORS TO "T & P" LEADS CN 40494	MSG 08-08-2006	ML	.X	±.1			APPD TB 05-08-2002	
03	RE-ISSUE	NJS 04-21-2004	JET	.XX	±.02			SCALE 1=1	
02	REDRAWN	TAT 04-20-2004	ML	.XXX	±.005			REF	
01	NEW DRAWING CN 34708	TJB 05-08-2002	ML	.XXXX	±.0005			FMF	
					±7'30"			PREV	
THIS DRAWING IN DESIGN AND DETAIL IS OUR PROPERTY AND MUST NOT BE USED EXCEPT IN CONNECTION WITH OUR WORK ALL RIGHTS OF DESIGN AND INVENTION ARE RESERVED THIS IS AN ELECTRONICALLY GENERATED DOCUMENT - DO NOT SCALE THIS PRINT			RFP	CAD FILE EE7308T_LE			SIZE A	DRAWING NO. EE7308T-LE	PAGE OF 05
			DIST	LB-WP-LE					REV. 05



ELECTRIC MOTORS  
GEARMOTORS  
AND DRIVES

TITLE CONNECTION DIAGRAM  
3 PHASE - DUAL VOLTAGE MOTOR



1051 CHEYENNE AVE.  
GRAFTON, WI 53024  
PH. 262-277-8810

DATA VOLTS: 460

**CERTIFICATION DATA SHEET**

CONN. DIAGRAM: A-EE7308T-LE  
OUTLINE: B-SS330110-1475  
WINDING: K2156158

CAT #: 811630.00

NONE 1

**TYPICAL MOTOR PERFORMANCE DATA**

HP	KW	SYNC RPM	FL RPM	FRAME	ENCLOSURE	TYPE	KVA CODE	DESIGN
10	7.5	1200	1160	256TC	TENV	TTL	J	INF

PH	HZ	VOLTS	AMPS	START TYPE	DUTY	INSL	S.F.	AMB	ELEV.
3	60	230/460	28/14	INVERTER ONLY	CONT	F	1.15	40	3300

F.L. EFF	89.5	3/4 LD EFF	90.2	1/2 LD EFF	90.2	GTD EFF	ELECT. TYPE
F.L. PF	75.5	3/4 LD PF	69.0	1/2 LD PF	57.0	87.5	SQ CAGE INV DUTY

F.L. TORQUE	LR AMPS @ 460 V	L.R. TORQUE	B.D. TORQUE	F.L. RISE (° C)
45.3 LB-FT	97.0	103 LB-FT 227%	135 LB-FT 298%	100

PRESSURE @ 3	SOUND	POWER	ROTOR WK²	MAX. LOAD WK²	SAFE STALL TIME	STARTS/HOUR	MOTOR WGT
60 dBA	69 dBA		1.50 LB-FT²	0 LB-FT²	0 SEC.	0	225 LB.

**\*\*\* SUPPLEMENTAL INFORMATION \*\*\***

DE BRACKET TYPE	ODE BRACKET TYPE	MOUNT TYPE	MOTOR ORIENTATION	SEVERE DUTY	HAZARDOUS LOCATION	DRIP COVER	SCREENS	PAINT
C-FACE	BRAKE OR ENCODER	RIGID	HORIZONTAL	NO	NONE	NO	NONE	WATTSAVER

BEARINGS		GREASE	SHAFT TYPE	SPECIAL DE	SPECIAL ODE	SHAFT MATERIAL	FRAME MATERIAL
DE	ODE	POLYREX EM	T	NONE	NONE	1045 HOT ROLLED (C-204)	ALUMINUM
BALL	BALL						
6309	6206						

THERMOSTATS	PROTECTORS	WDG RTD's	BRG RTD's	THERMISTORS	CONTROL	SPACE HEATERS
TSTATS (N/C)	NOT	NONE	NONE	NONE	FALSE	NA

R1 (ohms/ph)	R2 (ohms/ph)	X1 (ohms/ph)	X2 (ohms/ph)	Xm (ohms/ph)	VIBRATION (in/sec)	FLOAT
0.534	0.693	2.258	2.323	30.53	0.150	ODE

* N O T E S *	INVERTER TORQUE: CONSTANT 1000:1 INV. HP SPEED RANGE: 2.0 X BASE SPEED					
	ENCODER: NORTHSTAR ST56 NONE					
	BRAKE: NONE NONE					
	FT-LB: NA VOLTAGE: NONE					
	HZ: NONE PPR					

DATE:	9/10/2018	BRAKE: NONE NONE			
		FT-LB: NA VOLTAGE: NONE			
		HZ: NONE PPR			
UL: Y-(LEESON UL REC)					

Data Sheet

Date: 9/10/2018

811630.00



Data @ **460 V**

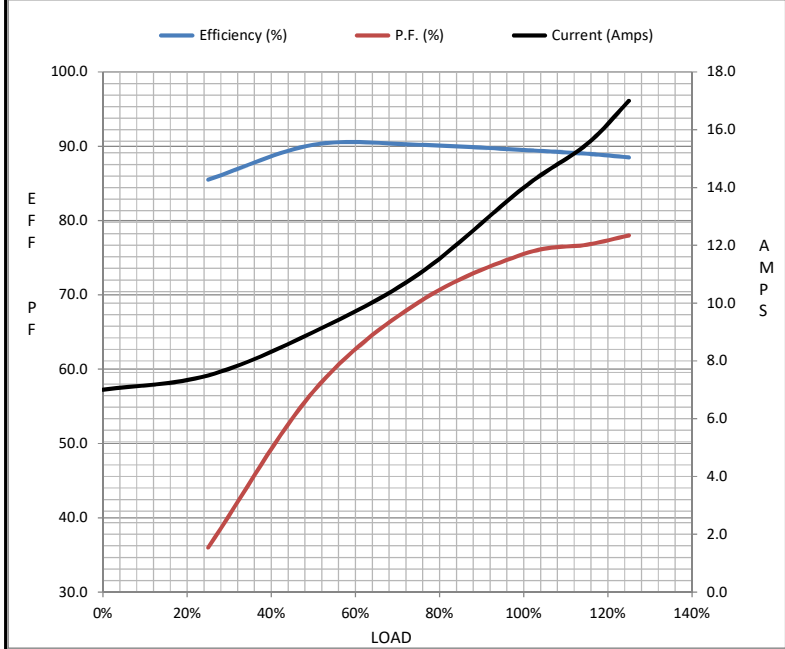
Motor Load Data

Load	0%	25%	50%	75%	100%	115%	125%	LR
Current (Amps)	7.0	7.5	9.0	11.0	14.0	15.5	17.0	97.0
Torque (ft-lb)	0.00	11.0	22.2	33.5	45.3	48.9	52.5	103
RPM	1200	1190	1180	1170	1160	1,156	1150	0
Efficiency (%)		85.5	90.2	90.2	89.5	89.0	88.5	
P.F. (%)	4.5	36.0	57.0	69.0	75.5	76.8	78.0	42.0

Motor Speed Data

	LR	Pull-Up	BD	Rated	Idle
Speed (RPM)	0	300	825	1160	1200
Current (Amps)	97.0	90.0	60.0	14.0	7.0
Torque (ft-lb)	103	92.5	135	45.3	0.00

Information Block				
HP	10.0			
Sync. RPM	1200			
Frame	256			
Enclosure	TENV			
Construction	TTL			
Voltage	230/460 V			
Frequency	60 Hz			
Design	A			
LR Code letter	J			
Service Factor	1.0			
Temp Rise @ FL	100 ° C			
Duty	CONT			
Ambient	40 ° C			
Elevation	1,000 feet			
Rotor/Shaft wk <sup>2</sup>	1.50 Lb-Ft <sup>2</sup>			
Ref Wdg	K2156158 NONE			
Sound Pressure @ 1M	60 dBA			
VFD Rating	CONSTANT 1000:1			
Outline Dwg	B-SS330110-1475			
Conn. Diag	A-EE7308T-LE			
Additional Specifications:				
0				
0				
EQUIV CKT (OHMS / PHASE)				
R1	R2	X1	X2	Xm
0.5340	0.6930	2.2580	2.3230	30.5300



Speed - Torque Curve

