

PRODUCT INFORMATION PACKET



Model No: 811596.00
Catalog No: 811596.00
350 HP, Severe Duty Motor, 3 phase, 1800 RPM, 460 V, 447/449T Frame, TEFC
Severe Duty Motors

Regal and Leeson are trademarks of Regal Rexnord Corporation or one of its affiliated companies.
©2021 Regal Rexnord Corporation, All Rights Reserved. MC017097E



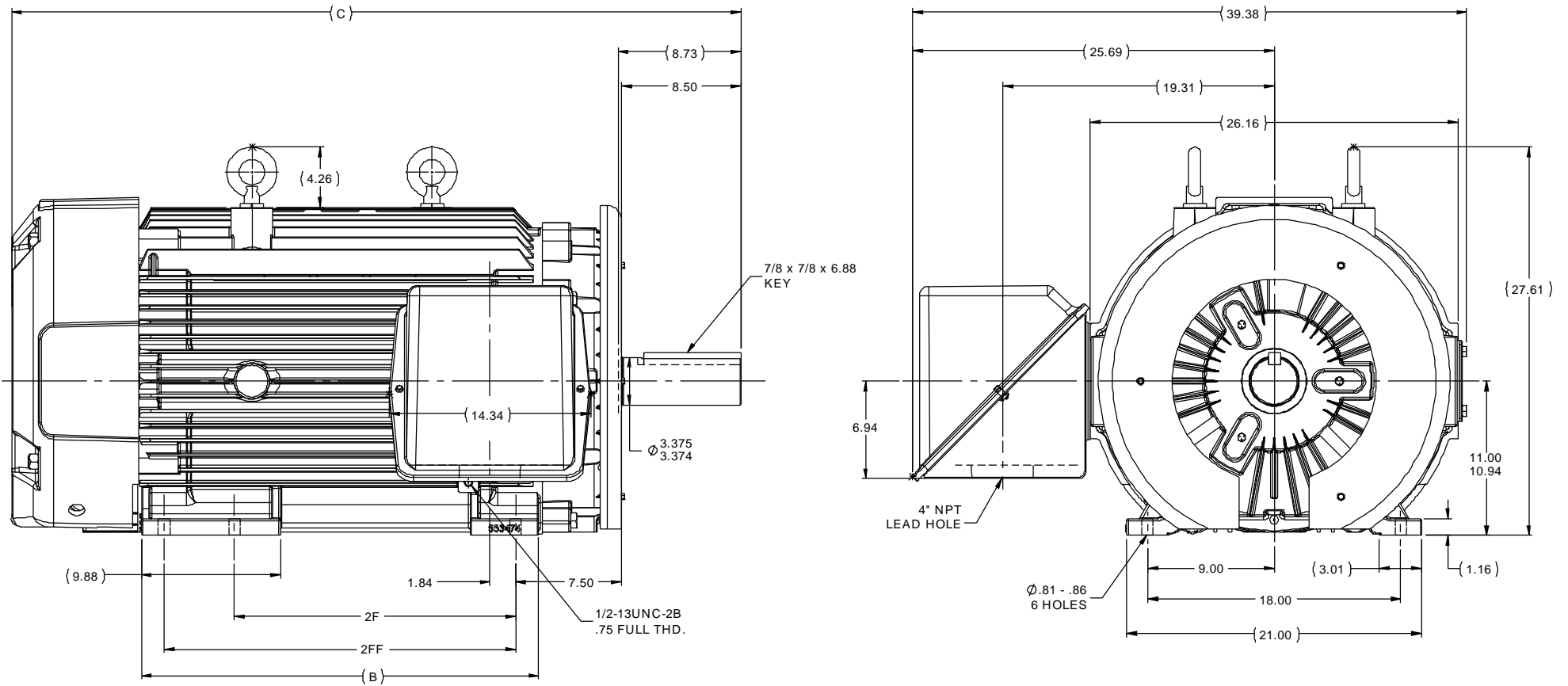


Nameplate Specifications

Output HP	350 Hp	Output KW	260.0 kW
Frequency	60 Hz	Voltage	460 V
Current	395.0 A	Speed	1785 rpm
Service Factor	1.15	Phase	3
Efficiency	96.2 %	Power Factor	86.5
Duty	Continuous	Insulation Class	F
Design Code	B	KVA Code	G
Frame	447/449T	Enclosure	Totally Enclosed Fan Cooled
Thermal Protection	No	Ambient Temperature	40 °C
Drive End Bearing Size	NU319	Opp Drive End Bearing Size	6318
UL	Recognized	CSA	Y
CE	Y	IP Code	56
Number of Speeds	1		

Technical Specifications

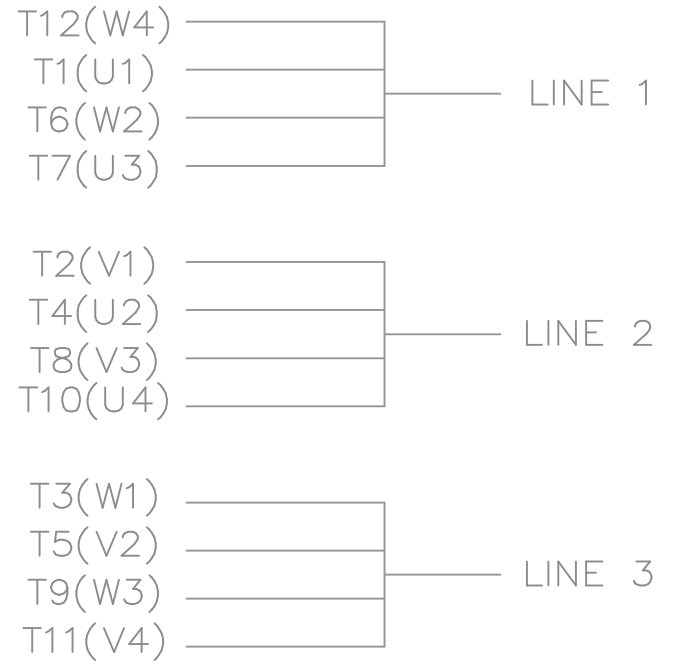
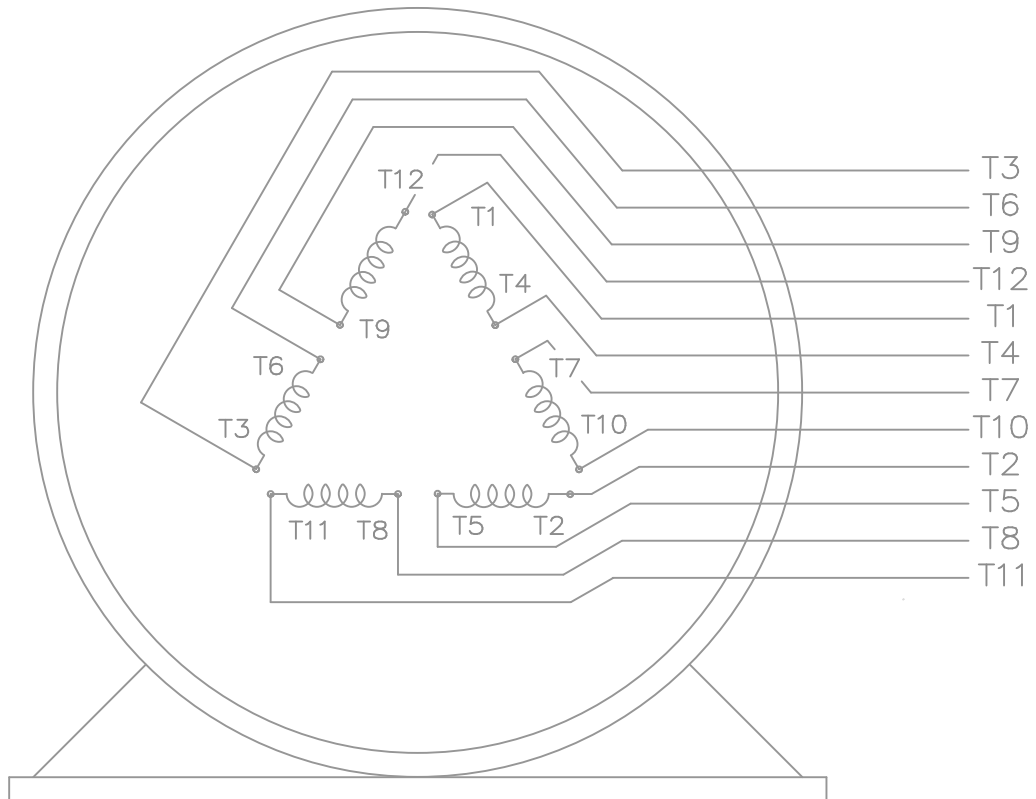
Electrical Type	Squirrel Cage Inverter Rated	Starting Method	Part Wdg Start & Wye Start Delta Run Or Inverter
Poles	4	Rotation	Reversible
Resistance Main	.0075 Ohms	Mounting	Rigid Base
Motor Orientation	Horizontal	Drive End Bearing	Roller
Opp Drive End Bearing	Ball	Frame Material	Cast Iron
Shaft Type	T	Overall Length	48.09 in
Frame Length	28.75 in	Shaft Diameter	2.375 in
Shaft Extension	4.75 in	Assembly/Box Mounting	F1/F2 CAPABLE
Outline Drawing	B-SS519827LE-2875	Connection Drawing	A-EE7300BH-LE




NOTE:
 1. C. BOX CAN BE ROTATED IN 90° STEPS.
 2. NAMEPLATES TO BE READ FROM CONDUIT BOX SIDE OF MOTOR.

DASH	FRAME	B	C	2F	2FF
2875	447T	28.25	51.85	20.00	---
2875	449T	28.25	51.85	---	25.00

TOLERANCES UNLESS SPECIFIED				LEESON	ELECTRIC MOTORS GEARMOTORS AND DRIVES	DRAWN JJB 07-27-2009	
DEC	INCHES	APPR	CHK			MH 07-28-2009	
X	±.1	MJS 07-29-2009					
XX	±.03						
XXX	±.005						
XXXX	±.0005						
1 UPDATED MU110616				TITLE OUTLINE - TEFC - NPT LEAD HOLE		SCALE 1:7	
NO				447/9T FR. - FLAT BRACKETS - W/ BAFFLE		REF	
REVISION				MATERIAL		PAGE OF	
BY & DATE				FINISH		FMF MU91821	
THIRD ANGLE PROJECTION				RFP		REV	
CHK LANG ±7°30'				PREV		DRAWING NO	
NETWORK FILE NAME SS519827LE				SIZE		DRAWING NO	
				B		SS519827LE	
						REV	
						1	



VIEW OF TERMINAL END

				TOLERANCES UNLESS SPECIFIED		 ELECTRIC MOTORS GEARMOTORS AND DRIVES	DRAWN KL 11-20-2003 CHK ML 11-21-2003 APPD EAB 11-21-2003
				DEC.	INCHES		SCALE 1=1
				.X	± -		REF
				.XX	± -		TITLE CONNECTION DIAGRAM - EXTERNAL 12 LEAD - SINGLE VOLTAGE
				.XXX	± -		
1	ADDED IEC TERMINAL MARKINGS	CN 41429	JJB 05/24/2007	ML	.XXXX	MAT'L.	FMF MU49029
NO.	REVISION	BY & DATE	CHK	ANG	± -	FINISH	PREV
THIS DRAWING IN DESIGN AND DETAIL IS OUR PROPERTY AND MUST NOT BE USED EXCEPT IN CONNECTION WITH OUR WORK ALL RIGHTS OF DESIGN AND INVENTION ARE RESERVED THIS IS AN ELECTRONICALLY GENERATED DOCUMENT - DO NOT SCALE THIS PRINT				RFP	11-24-2003	CAD FILE ee7300bh_le	SIZE A DRAWING NO. EE7300BH-LE PAGE OF 1
				DIST	WA-LB-SB		REV. 1