

PRODUCT INFORMATION PACKET

Model No: 810097.00

Catalog No: 810097.00

Encoder Motors, TEBC - Axial, 50 HP, 3 Ph, 60 Hz, 230/460 V, 1180 RPM, 365TC Frame



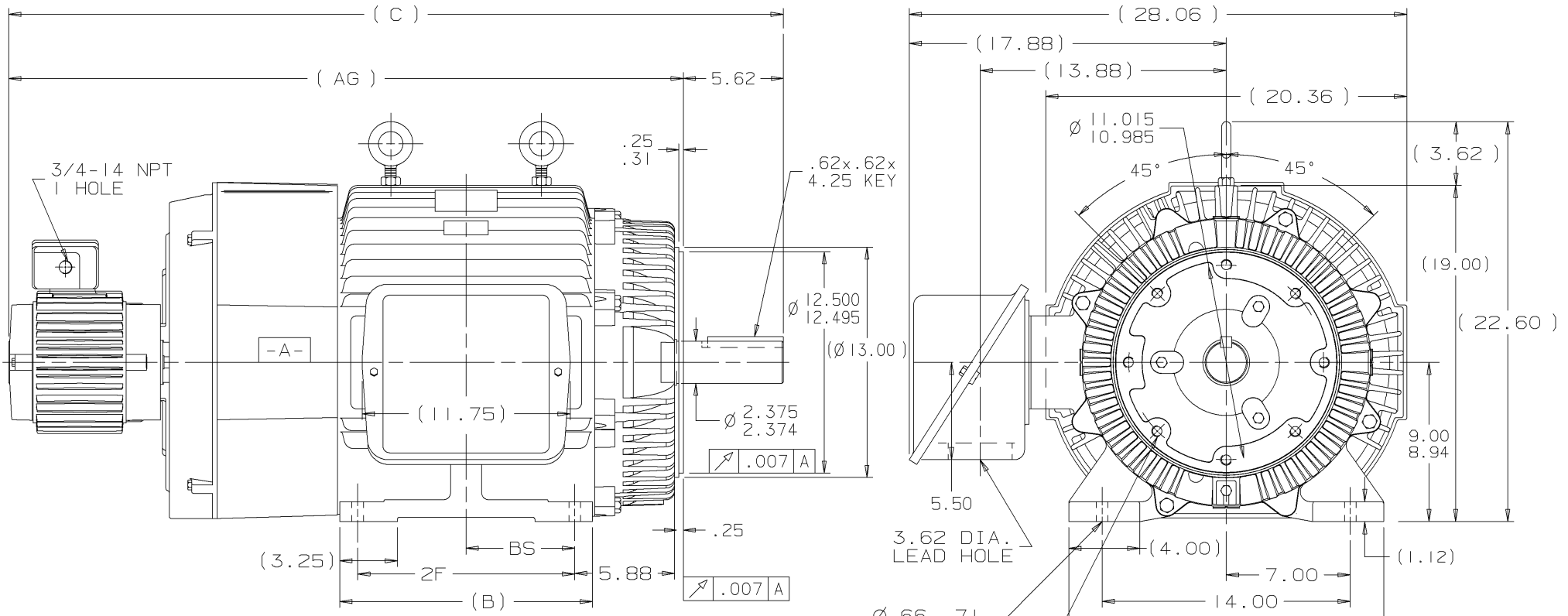
Regal and are trademarks of Regal Rexnord Corporation or one of its affiliated companies.
©2022 Regal Rexnord Corporation, All Rights Reserved. MC017097E

Nameplate Specifications

Output HP	50 Hp	Output KW	37.0 kW
Frequency	60 Hz	Voltage	230/460 V
Current	130.0/65.0 A	Speed	1180 rpm
Service Factor	1	Phase	3
Efficiency	93 %	Power Factor	78
Duty	Continuous	Insulation Class	H
Design Code	INV	KVA Code	G
Frame	365TC	Enclosure	Totally Enclosed Blower cooled - Axial
Thermal Protection	No Protection	Ambient Temperature	40 °C
Drive End Bearing Size	6314	Opp Drive End Bearing Size	6312
UL	Recognized	CSA	Y
CE	Y	IP Code	43
Number of Speeds	1		

Technical Specifications

Electrical Type	Squirrel Cage Inverter Duty	Starting Method	Inverter Only
Poles	6	Rotation	Reversible
Resistance Main	.145 Ohms	Mounting	Rigid Base
Motor Orientation	Horizontal	Drive End Bearing	Ball
Opp Drive End Bearing	Ball	Frame Material	Cast Iron
Shaft Type	T	Overall Length	43.67 in
Frame Length	14.50 in	Shaft Diameter	2.375 in
Shaft Extension	5.88 in	Assembly/Box Mounting	F1/F2 CAPABLE
Inverter Load	CONSTANT 2000:1		
Outline Drawing	B-SS518551LE-1450	Connection Drawing	A-EE7308T-LE



NOTES:

1. BOX CAN BE ROTATED IN 90° STEPS
2. BOX CAN BE MOUNTED ON OPPOSITE SIDE BY REMOVING BRACKETS AND TURNING FRAME 180°
3. NAMEPLATES TO BE READ FROM CONDUIT BOX SIDE OF MOTOR

DASH	FRAME	C	AG	B	2F	BS
1350	364TC	42.67	37.04	13.25	11.25	5.62
1450	365TC	43.67	38.04	14.25	12.25	6.12

				TOLERANCES UNLESS SPECIFIED		ELECTRIC MOTORS GEARMOTORS AND DRIVES		DRAWN NJS 05-15-2002	
				DEC.	TOLERANCE			CHK ML 05-20-2002	
				.X	± .1	TITLE OUTLINE		APPD TB 05-20-2002	
				.XX	± .03	360TC FR. - TEBC		SCALE	
				.XXX	± .005	SURFACE ROUGHNESS UNLESS SPECIFIED		REF	
I NEW DRAWING CN 35132 NJS 05-20-2002 TB				.XXXX	± .0005	FINISH		FMF	
NO. REVISION BY DATE				CHK	ANG ± 7'30"	MAT'L.		PREV	
THIS DRAWING IN DESIGN AND DETAIL IS OUR PROPERTY AND MUST NOT BE USED EXCEPT IN CONNECTION WITH OUR WORK. ALL RIGHTS OF DESIGN AND INVENTION ARE RESERVED. THIS IS AN ELECTRONICALLY GENERATED DOCUMENT - DO NOT SCALE THIS PRINT				PURCHASED		CAD FILE 55518551LE		SHOP BOOK	
				DIST WA - 06 - 08 - 09 - OR - TX		SIZE B		DRAWING NO. SS518551LE	
								REV. 1	

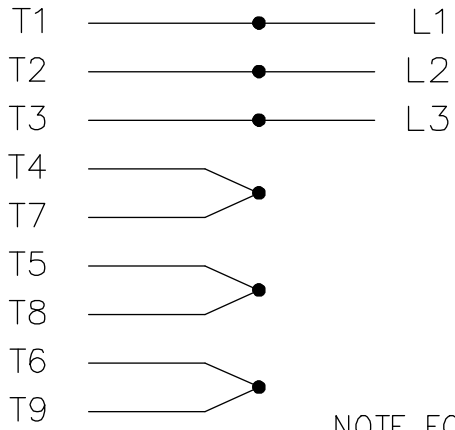
```
ERROR: undefined
OFFENDING COMMAND: de
```

```
STACK:
```

```
{--currentdict-- --exch-- --begin-- --begin-- }
/resume
-dictionary-
/Pscript_WinNT_Compat
-dictionary-
```

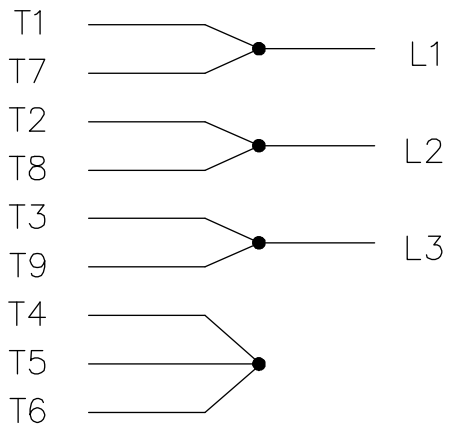
THREE PHASE
DUAL VOLTAGE MOTOR

HIGH VOLTAGE

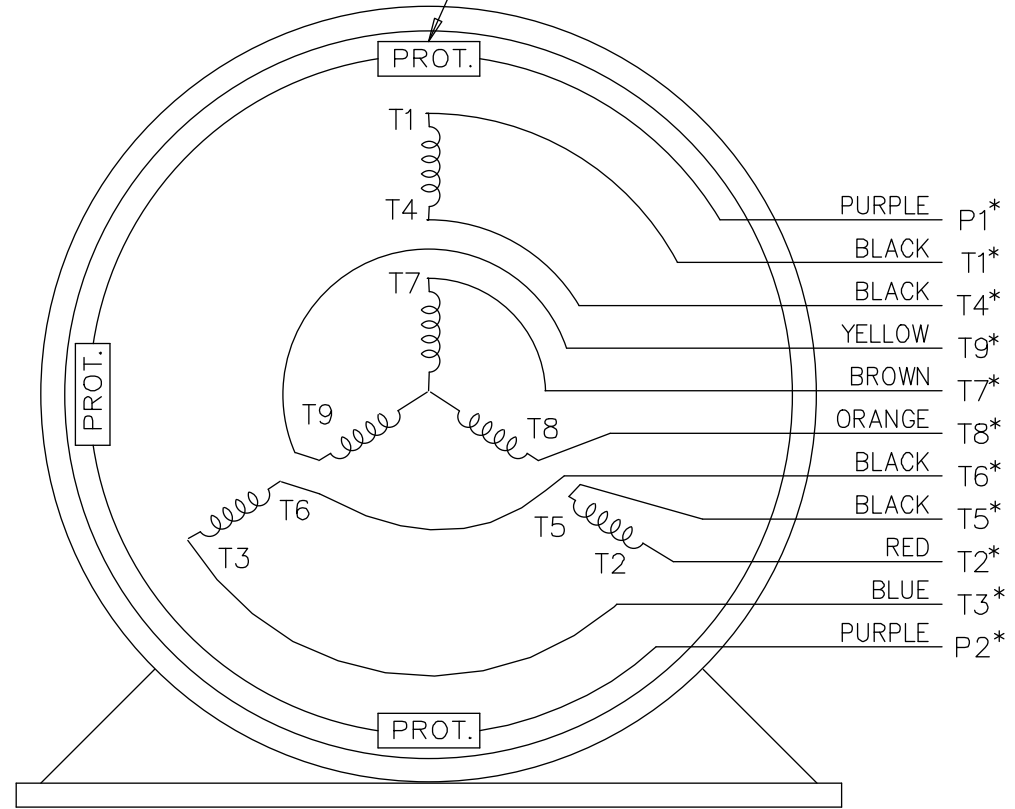


NOTE FOR FACTORY USE ONLY:
 TO SURGE TEST FOR COMMON CONNECT:
 HIGH VOLT: CONNECT P1 TO T1
 THEN P2 TO L1
 LOW VOLT: CONNECT P1 TO T1 & T7,
 THEN P2 TO L1

LOW VOLTAGE



THREMO-PROTECTORS
CONNECTED IN SERIES.



VIEW OF TERMINAL END

* USE LEADS AS PER PLANT STANDARD IRRWSPECTIVE OF THEIR COLOUR.

NO.	REVISION	BY & DATE	CHK	ANG	TOLERANCES UNLESS SPECIFIED		FINISH	DRAWING NO.	PAGE OF	REV.	
					DEC.	INCHES					
05	ADDED * NOTE PER ECN # 26921	UD 01-30-2013	JD	DEC.	INCHES						
04	ADDED COLORS TO "T & P" LEADS CN 40494	MSG 08-08-2006	ML	.X	±.1						
03	RE-ISSUE	NJS 04-21-2004	JET	.XX	±.02						
02	REDRAWN	TAT 04-20-2004	ML	.XXX	±.005						
01	NEW DRAWING CN 34708	TJB 05-08-2002	ML	.XXXX	±.0005						
THIS DRAWING IN DESIGN AND DETAIL IS OUR PROPERTY AND MUST NOT BE USED EXCEPT IN CONNECTION WITH OUR WORK ALL RIGHTS OF DESIGN AND INVENTION ARE RESERVED THIS IS AN ELECTRONICALLY GENERATED DOCUMENT - DO NOT SCALE THIS PRINT							RFP	CAD FILE EE7308T_LE	SIZE A	DRAWING NO. EE7308T-LE	PAGE OF 05
							DIST LB-WP-LE				



ELECTRIC MOTORS
GEARMOTORS
AND DRIVES

TITLE CONNECTION DIAGRAM
3 PHASE - DUAL VOLTAGE MOTOR

DRAWN	TJB	05-07-2002
CHK	ML	05-08-2002
APPD	TB	05-08-2002
SCALE	1=1	
REF		
FMF		
PREV		

P.O. BOX 8003
 WAUSAU, WI 54401-8003
 PH. 715-675-3311



DATA VOLTS: 460

CERTIFICATION DATA SHEET

CONN. DIAGRAM: A-EE7308T-LE
 OUTLINE: B-SS518551LE-1450
 WINDING: T365667

CAT #: 810097.00

F 1

TYPICAL MOTOR PERFORMANCE DATA

HP	KW	SYNC RPM	FL RPM	FRAME	ENCLOSURE	TYPE	KVA CODE	DESIGN
50	37	1200	1180	365TC	TEBC	TBS	G	INF

PH	HZ	VOLTS	AMPS	START TYPE	DUTY	INSL	S.F.	AMB	ELEV.
3	60	230/460	130/65	INVERTER ONLY	CONT	H	1.15	40	3300

F.L. EFF	93.0	3/4 LD EFF	93.0	1/2 LD EFF	92.4	GTD EFF	ELECT. TYPE
F.L. PF	78.0	3/4 LD PF	73.0	1/2 LD PF	63.0	91.7	SQ CAGE INV DUTY

F.L. TORQUE	LR AMPS @ 460 V	L.R. TORQUE	B.D. TORQUE	F.L. RISE (°C)
222 LB-FT	362	400 LB-FT 180%	525 LB-FT 236%	60

PRESSURE @ 3	POWER	ROTOR WK²	MAX. LOAD WK²	SAFE STALL TIME	STARTS/HOUR	MOTOR WGT
85 dBA	94 dBA	14.5 LB-FT²	0 LB-FT²	0 SEC.	0	925 LB.

***** SUPPLEMENTAL INFORMATION *****

DE BRACKET TYPE	ODE BRACKET TYPE	MOUNT TYPE	MOTOR ORIENTATION	SEVERE DUTY	HAZARDOUS LOCATION	DRIP COVER	SCREENS	PAINT
C-FACE	ENCODER	RIGID	HORIZONTAL	NO	NONE	NO	NONE	JE - LEESON (ENAM)

BEARINGS		GREASE	SHAFT TYPE	SPECIAL DE	SPECIAL ODE	SHAFT MATERIAL	FRAME MATERIAL
DE	ODE	POLYREX EM	T	NONE	NONE	1045 HOT ROLLED (C-204)	CAST IRON
BALL	BALL						
6314	6312						

THERMOSTATS	PROTECTORS	WDG RTD's	BRG RTD's	THERMISTORS	CONTROL	SPACE HEATERS
TSTATS (N/C)	NOT	NONE	NONE	NONE	FALSE	NA

R1 (ohms/ph)	R2 (ohms/ph)	X1 (ohms/ph)	X2 (ohms/ph)	Xm (ohms/ph)	VIBRATION (in/sec)	FLOAT
0.09	0.069	0.438	0.586	8.686	0.150	ODE

* N O T E S *	INVERTER TORQUE: CONSTANT 2000:1 INV. HP SPEED RANGE: 1.5 X BASE SPEED					
	ENCODER: NORTHSTAR ST56 NONE					
	NONE PPR					
	BRAKE: NONE NONE NONE					
	FT-LB: NA VOLTAGE: NONE HZ:					

DATE: 1/23/2018

UL: Y-(LEESON UL REC)

Data Sheet

Date: 1/23/2018

810097.00



Data @ 460 V

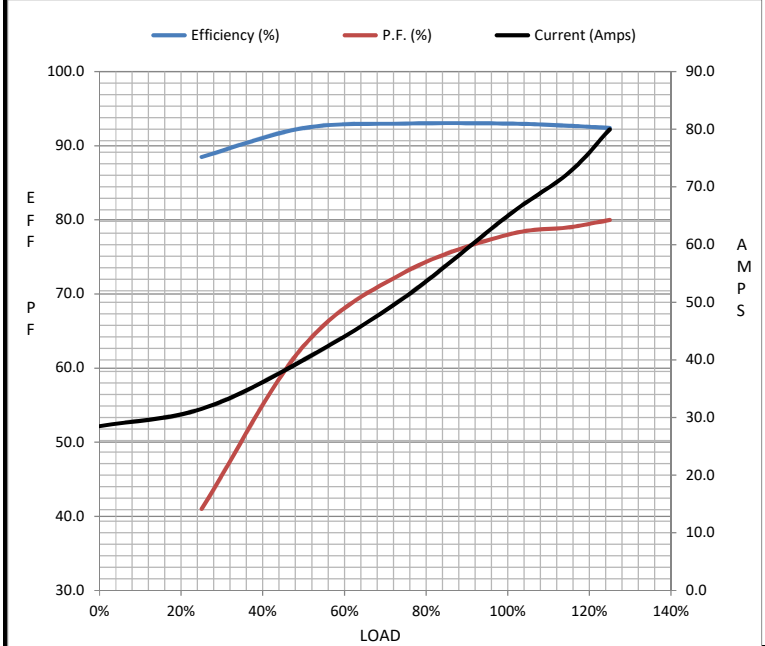
Motor Load Data

Load	0%	25%	50%	75%	100%	115%	125%	LR
Current (Amps)	28.5	31.5	40.0	51.0	65.0	72.5	80.0	362
Torque (ft-lb)	0.00	55.0	110	166	222	251	279	400
RPM	1200	1195	1190	1185	1180	1,177	1172	0
Efficiency (%)		88.5	92.4	93.0	93.0	92.7	92.4	
P.F. (%)	4.5	41.0	63.0	73.0	78.0	79.0	80.0	33.0

Motor Speed Data

	LR	Pull-Up	BD	Rated	Idle
Speed (RPM)	0	600	1125	1180	1200
Current (Amps)	362	300	200	65.0	28.5
Torque (ft-lb)	400	360	525	222	0.00

Information Block				
HP	50.0			
Sync. RPM	1200			
Frame	365			
Enclosure	TEBC			
Construction	TBS			
Voltage	230/460 V			
Frequency	60 Hz			
Design	B			
LR Code letter	G			
Service Factor	1.15			
Temp Rise @ FL	60 °C			
Duty	CONT			
Ambient	40 °C			
Elevation	1,000 feet			
Rotor/Shaft wk ²	14.5 Lb-Ft ²			
Ref Wdg	T365667 F			
Sound Pressure @ 1M	85 dBA			
VFD Rating	CONSTANT 2000:1			
Outline Dwg	B-SS518551LE-1450			
Conn. Diag	A-EE7308T-LE			
Additional Specifications:				
0				
0				
EQUIV CKT (OHMS / PHASE)				
R1	R2	X1	X2	Xm
0.0900	0.0690	0.4380	0.5860	8.6860



Speed - Torque Curve

