

PRODUCT INFORMATION PACKET

Model No: 810027.00

Catalog No: 810027.00

Encoder Motors, TEBC - Axial, 60 HP, 3 Ph, 60 Hz, 230/460 V, 1782 RPM, 364TC Frame



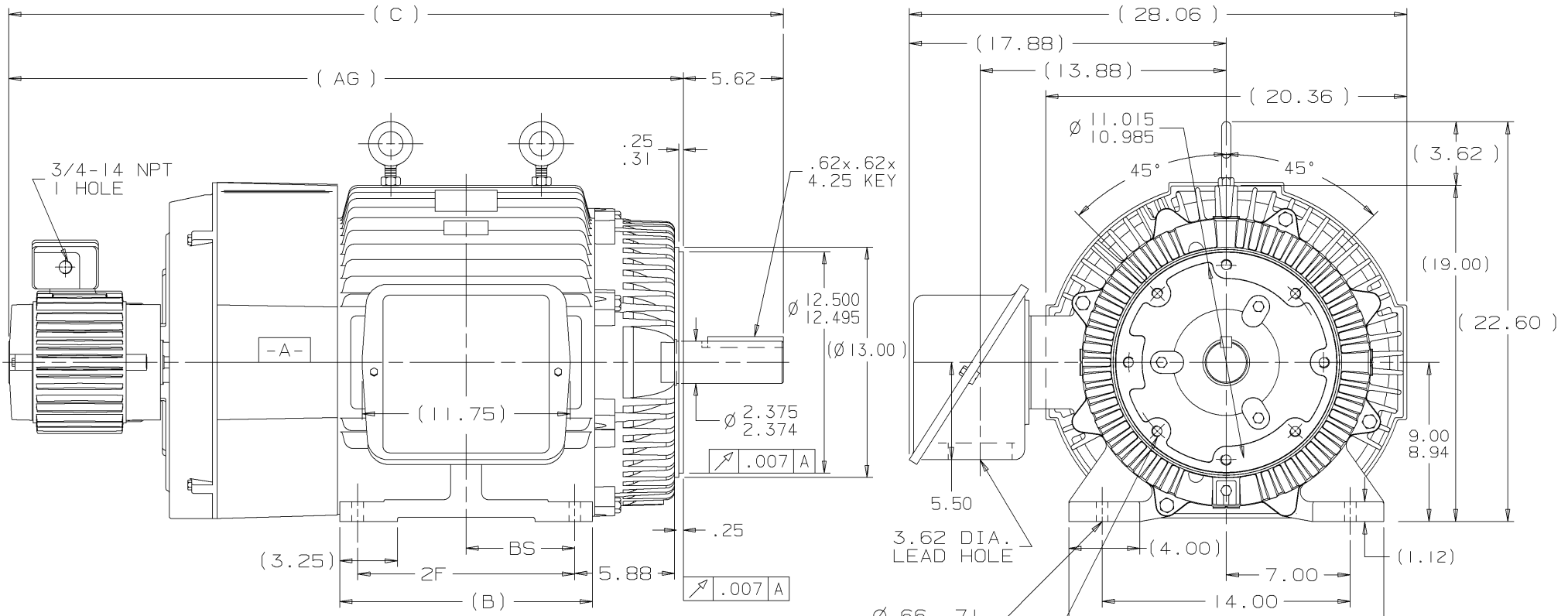
Regal and are trademarks of Regal Rexnord Corporation or one of its affiliated companies.
©2022 Regal Rexnord Corporation, All Rights Reserved. MC017097E

Nameplate Specifications

Output HP	60 Hp	Output KW	45.0 kW
Frequency	60 Hz	Voltage	230/460 V
Current	147.0/73.5 A	Speed	1782 rpm
Service Factor	1	Phase	3
Efficiency	92.4 %	Power Factor	83
Duty	Continuous	Insulation Class	H
Design Code	INV	KVA Code	J
Frame	364TC	Enclosure	Totally Enclosed Blower cooled - Axial
Thermal Protection	No Protection	Ambient Temperature	40 °C
Drive End Bearing Size	6314	Opp Drive End Bearing Size	6312
UL	Recognized	CSA	Y
CE	N	IP Code	43
Number of Speeds	1		

Technical Specifications

Electrical Type	Squirrel Cage Inverter Duty	Starting Method	Inverter Only
Poles	4	Rotation	Reversible
Resistance Main	.087 Ohms	Mounting	Rigid Base
Motor Orientation	Horizontal	Drive End Bearing	Ball
Opp Drive End Bearing	Ball	Frame Material	Cast Iron
Shaft Type	T	Overall Length	42.67 in
Frame Length	13.50 in	Shaft Diameter	2.375 in
Shaft Extension	5.88 in	Assembly/Box Mounting	F1/F2 CAPABLE
Inverter Load	CONSTANT 2000:1		
Connection Drawing	A-EE7308T-LE	Outline Drawing	B-SS518551LE-1350



NOTES:

1. BOX CAN BE ROTATED IN 90° STEPS
2. BOX CAN BE MOUNTED ON OPPOSITE SIDE BY REMOVING BRACKETS AND TURNING FRAME 180°
3. NAMEPLATES TO BE READ FROM CONDUIT BOX SIDE OF MOTOR

DASH	FRAME	C	AG	B	2F	BS
1350	364TC	42.67	37.04	13.25	11.25	5.62
1450	365TC	43.67	38.04	14.25	12.25	6.12

				TOLERANCES UNLESS SPECIFIED		LEESON		ELECTRIC MOTORS GEARMOTORS AND DRIVES		DRAWN NJS 05-15-2002	
				DEC.	TOLERANCE			CHK	ML	05-20-2002	
				.X	± .1			APPD	TB	05-20-2002	
				.XX	± .03	TITLE		SCALE			
				.XXX	± .005	OUTLINE		REF			
1				TB	± .0005	360TC FR. - TEBC		FMF			
NO.				CHK	ANG	± 7'30"	✓	SURFACE ROUGHNESS UNLESS SPECIFIED	MAT'L.	PREV	
THIS DRAWING IN DESIGN AND DETAIL IS OUR PROPERTY AND MUST NOT BE USED EXCEPT IN CONNECTION WITH OUR WORK. ALL RIGHTS OF DESIGN AND INVENTION ARE RESERVED. THIS IS AN ELECTRONICALLY GENERATED DOCUMENT - DO NOT SCALE THIS PRINT				PURCHASED		CAD FILE 55518551LE		SHOP BOOK	SIZE	DRAWING NO.	
				DIST WA - 06 - 08 - 09 - 0R - 0X					B	SS518551LE	
										REV.	
										1	

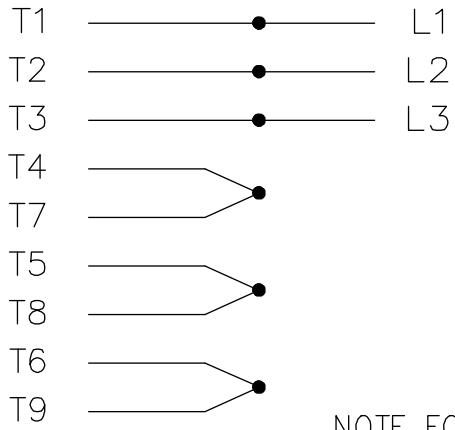
```
ERROR: undefined
OFFENDING COMMAND: de
```

```
STACK:
```

```
{--currentdict-- --exch-- --begin-- --begin-- }
/resume
-dictionary-
/Pscript_WinNT_Compat
-dictionary-
```

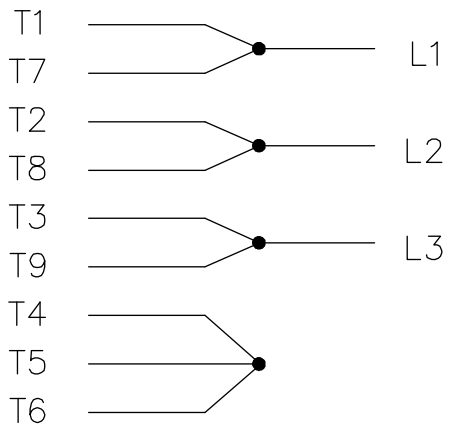
THREE PHASE
DUAL VOLTAGE MOTOR

HIGH VOLTAGE

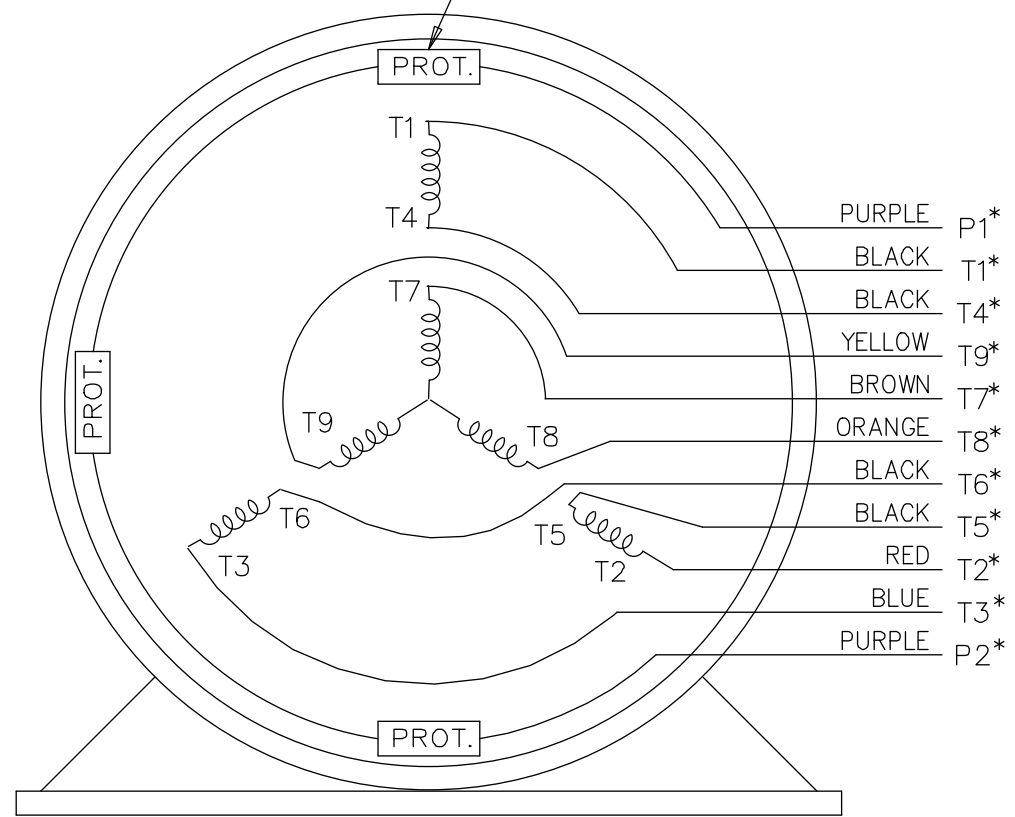


NOTE FOR FACTORY USE ONLY:
 TO SURGE TEST FOR COMMON CONNECT:
 HIGH VOLT: CONNECT P1 TO T1
 THEN P2 TO L1
 LOW VOLT: CONNECT P1 TO T1 & T7,
 THEN P2 TO L1

LOW VOLTAGE



THREMO-PROTECTORS
CONNECTED IN SERIES.



VIEW OF TERMINAL END

* USE LEADS AS PER PLANT STANDARD IRRWSPECTIVE OF THEIR COLOUR.

NO.	REVISION	BY & DATE	CHK	ANG	TOLERANCES UNLESS SPECIFIED		FINISH	DRAWN TJB 05-07-2002	
					DEC.	INCHES			
05	ADDED * NOTE PER ECN # 26921	UD 01-30-2013	JD	DEC.	INCHES			CHK ML 05-08-2002	
04	ADDED COLORS TO "T & P" LEADS CN 40494	MSG 08-08-2006	ML	.X	±.1			APPD TB 05-08-2002	
03	RE-ISSUE	NJS 04-21-2004	JET	.XX	±.02			SCALE 1=1	
02	REDRAWN	TAT 04-20-2004	ML	.XXX	±.005			REF	
01	NEW DRAWING CN 34708	TJB 05-08-2002	ML	.XXXX	±.0005			FMF	
								PREV	
THIS DRAWING IN DESIGN AND DETAIL IS OUR PROPERTY AND MUST NOT BE USED EXCEPT IN CONNECTION WITH OUR WORK ALL RIGHTS OF DESIGN AND INVENTION ARE RESERVED THIS IS AN ELECTRONICALLY GENERATED DOCUMENT - DO NOT SCALE THIS PRINT			RFP	CAD FILE EE7308T_LE			SIZE A	DRAWING NO. EE7308T-LE	PAGE OF 05
			DIST	LB-WP-LE					



ELECTRIC MOTORS
GEARMOTORS
AND DRIVES

TITLE CONNECTION DIAGRAM
3 PHASE - DUAL VOLTAGE MOTOR

P.O. BOX 8003
 WAUSAU, WI 54401-8003
 PH. 715-675-3311



DATA VOLTS: 460

CERTIFICATION DATA SHEET

CONN. DIAGRAM: A-EE7308T-LE
 OUTLINE: B-SS518551LE-1350
 WINDING: T3644131

CAT #: 810027.00

R1 1

TYPICAL MOTOR PERFORMANCE DATA

HP	KW	SYNC RPM	FL RPM	FRAME	ENCLOSURE	TYPE	KVA CODE	DESIGN
60	45	1800	1782	364TC	TEBC	TBS	J	INF

PH	HZ	VOLTS	AMPS	START TYPE	DUTY	INSL	S.F.	AMB	ELEV.
3	60	230/460	147/73.5	INVERTER ONLY	CONT	H	1.15	40	3300

F.L. EFF	92.4	3/4 LD EFF	91.7	1/2 LD EFF	90.2	GTD EFF	91.0	ELECT. TYPE	SQ CAGE INV DUTY
F.L. PF	83.0	3/4 LD PF	79.5	1/2 LD PF	71.0				

F.L. TORQUE	177 LB-FT	LR AMPS @ 460 V	540	L.R. TORQUE	445 LB-FT 251%	B.D. TORQUE	525 LB-FT 297%	F.L. RISE (°C)	60
-------------	-----------	-----------------	-----	-------------	----------------	-------------	----------------	----------------	----

PRESSURE @ 3	85 dBA	POWER	94 dBA	ROTOR WK ²	14.8 LB-FT ²	MAX. LOAD WK ²	0 LB-FT ²	SAFE STALL TIME	0 SEC.	STARTS/HOUR	0	MOTOR WGT	900 LB.
--------------	--------	-------	--------	-----------------------	-------------------------	---------------------------	----------------------	-----------------	--------	-------------	---	-----------	---------

*** SUPPLEMENTAL INFORMATION ***

DE BRACKET TYPE	ODE BRACKET TYPE	MOUNT TYPE	MOTOR ORIENTATION	SEVERE DUTY	HAZARDOUS LOCATION	DRIP COVER	SCREENS	PAINT
C-FACE	ENCODER	RIGID	HORIZONTAL	NO	NONE	NO	NONE	JE - LEESON (ENAM)

BEARINGS		GREASE	SHAFT TYPE	SPECIAL DE	SPECIAL ODE	SHAFT MATERIAL	FRAME MATERIAL
DE	ODE						
BALL	BALL	POLYREX EM	T	NONE	NONE	1045 HOT ROLLED (C-204)	CAST IRON
6314	6312						

THERMOSTATS	PROTECTORS	WDG RTD's	BRG RTD's	THERMISTORS	CONTROL	SPACE HEATERS
TSTATS (N/C)	NOT	NONE	NONE	NONE	FALSE	NA

R1 (ohms/ph)	R2 (ohms/ph)	X1 (ohms/ph)	X2 (ohms/ph)	Xm (ohms/ph)	VIBRATION (in/sec)	FLOAT
0.063	0.042	0.338	0.455	8.845	0.150	ODE

* N O T E S *	INVERTER TORQUE: CONSTANT 2000:1 INV. HP SPEED RANGE: 1.5 X BASE SPEED	
	ENCODER: NORTHSTAR ST56 NONE	
	NONE PPR	
	BRAKE: NONE NONE NONE	
	FT-LB: NA VOLTAGE: NONE HZ:	

DATE: 1/30/2018

UL: Y-(LEESON UL REC)

Data Sheet

Date: 1/30/2018

810027.00



Data @ 460 V

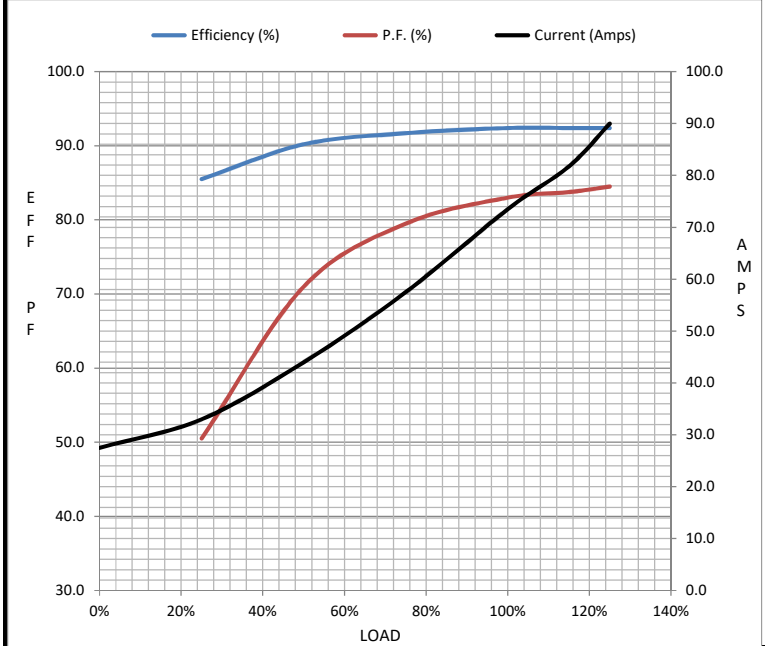
Motor Load Data

Load	0%	25%	50%	75%	100%	115%	125%	LR
Current (Amps)	27.5	33.0	44.0	57.5	73.5	81.8	90.0	540
Torque (ft-lb)	0.00	44.0	88.0	132	177	200	222	445
RPM	1800	1795	1790	1786	1782	1780	1776	0
Efficiency (%)		85.5	90.2	91.7	92.4	92.4	92.4	
P.F. (%)	9.5	50.5	71.0	79.5	83.0	83.8	84.5	37.5

Motor Speed Data

	LR	Pull-Up	BD	Rated	Idle
Speed (RPM)	0	900	1700	1782	1800
Current (Amps)	540	500	285	73.5	27.5
Torque (ft-lb)	445	425	525	177	0.00

Information Block				
HP	60.0			
Sync. RPM	1800			
Frame	364			
Enclosure	TEBC			
Construction	TBS			
Voltage	230/460 V			
Frequency	60 Hz			
Design	A			
LR Code letter	J			
Service Factor	1.15			
Temp Rise @ FL	60 °C			
Duty	CONT			
Ambient	40 °C			
Elevation	1,000 feet			
Rotor/Shaft wk ²	14.8 Lb-Ft ²			
Ref Wdg	T3644131 R1			
Sound Pressure @ 1M	85 dBA			
VFD Rating	CONSTANT 2000:1			
Outline Dwg	B-SS518551LE-1350			
Conn. Diag	A-EE7308T-LE			
Additional Specifications:				
0				
0				
EQUIV CKT (OHMS / PHASE)				
R1	R2	X1	X2	Xm
0.0630	0.0420	0.3380	0.4550	8.8450



Speed - Torque Curve

