

PRODUCT INFORMATION PACKET

rotor nl[®]

Model No: 6RN90L06E34U241081

Catalog No: 6RN90L06E34U24@1081

1.10 kW General Purpose Low Voltage IEC Motor IE3, 3 phase, 1000 rpm, D230/Y400V 50Hz,
90L Frame B3, IC411



Regal and Rotor nl are trademarks of Regal Rexnord Corporation or one of its affiliated companies.
©2023 Regal Rexnord Corporation, All Rights Reserved. MC017097E

RegalRexnord



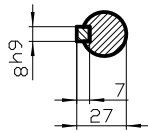
Nameplate Specifications

Output HP	1.5 Hp	Output KW	1.1 kW
Frequency	50 Hz	Voltage	D230/Y400 V
Current	4.95 A	Speed	945 rpm
Service Factor	1	Phase	3
Efficiency	81 %	Power Factor	0.69
Duty	S1	Insulation Class	F
Frame	90L	Enclosure	Totally Enclosed Fan Cooled
Thermal Protection	No Protection	Ambient Temperature	40 °C
Drive End Bearing Size	6205-2Z/C3WT (-40°C/+160°C)	Opp Drive End Bearing Size	6004-2Z/C3WT (-40°C/+160°C)
UL	No	CSA	Optional
CE	Yes	IP Code	IP55
Number of Speeds	1	Efficiency Class	IE3

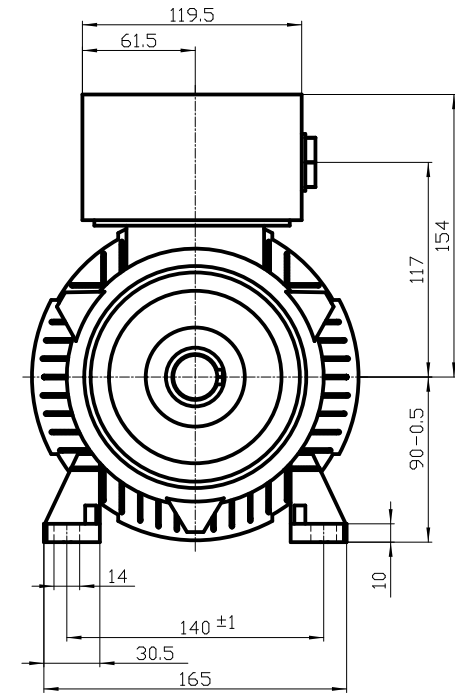
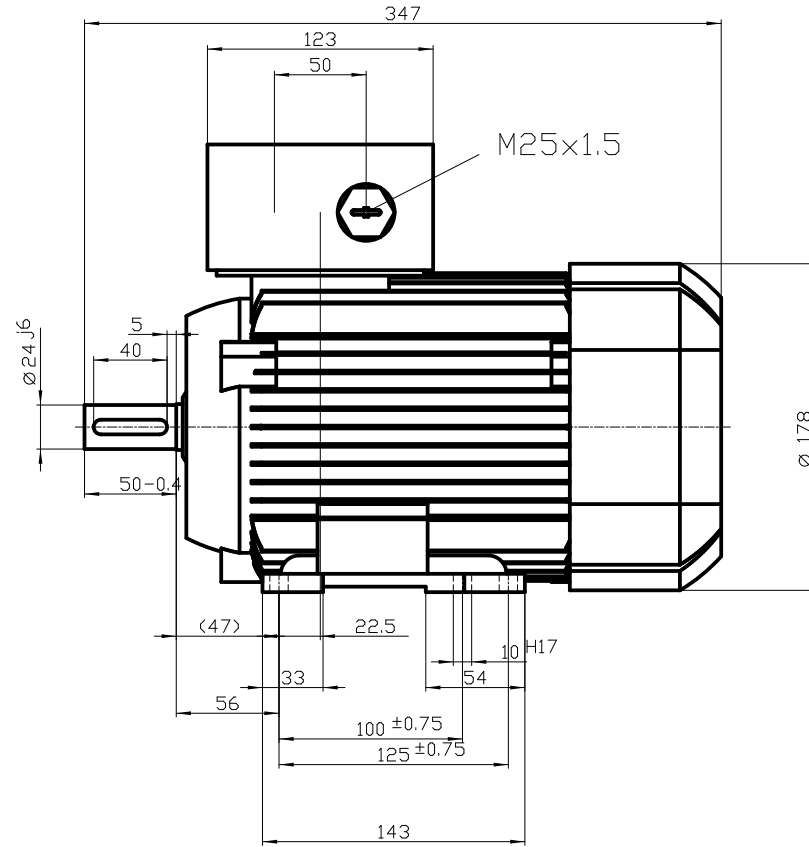
Technical Specifications

Electrical Type	Squirrel Cage	Starting Method	Direct On Line
Poles	6	Rotation	Clockwise Shaft End
Mounting	B3	Motor Orientation	Any
Frame Material	Cast iron	Shaft Type	Keyed
Shaft Diameter	24 mm	Shaft Extension	50 mm
Outline Drawing	6RN90L06E34U241081		

This is an uncontrolled document once printed or downloaded and is subject to change without notice. Date Created:01/19/2023



DIN 332-DR M8
DIN 6885 Teil1



		Unit	mm
Date		30.04.13	
		6RN90L06E34 B3	

Datasheet



Mors 1-5, 7151 MX Eibergen NL
 www.rotor.nl tel.: +31 545 464640
 sales@rotor.nl tel.: +31 545 464646

Model No. 6-Pole cage motor 6RN 90L 1,1kW D230V 50Hz IM1081

U (V)	Δ/Y Conn	f [Hz]	P		I [A]	n [RPM]	T [Nm]	IE Class	% EFF at __ load			PF at __load			I _A /I _N [pu]	T _A /T _N [pu]	T _R /T _N [pu]
			[kW]	[hp]					FL	3/4FL	1/2FL	FL	3/4FL	1/2FL			
230	D	50	1,1	1 1/2	4,95	945	11,1	IE3	79,2	80,1	78,7	0,69	0,60	0,47	4,66	2,30	2,70
400	Y				2,86												
265	D	60	1,27	1,702	5,31	1145	10,6	IE1	81,9	82,7	81,4	0,69	0,61	0,48	4,87	2,16	2,79
460	Y				3,07												

Motor type	6RN90L06E34
Enclosure	Totally Enclosed Fan Cooling
Frame Material	Aluminum
Frame size	90L
Duty	S1
Voltage	230 V
Frequency	50 Hz
Power output	1,1 kW
Insulation class	F
Ambient temperature	-20 till 40 °C
Temperature rise	temp.rise acc. B (80K)
Temperature rise winding	44 K
Temperature rise surface	
Altitude above sea level	1000 mtr
Hazardous area classification	Safe area

Degree of protection	IP55
Mounting type	IM1081
Cooling method	IC411
Motor weight - approx.	21 kg
Gross weight - approx.	22 kg
Motor inertia	0,0048 kgm²
Vibration level	according IEC60034-14
Noise level (pressure) acc 60034-9	57 dB(A)

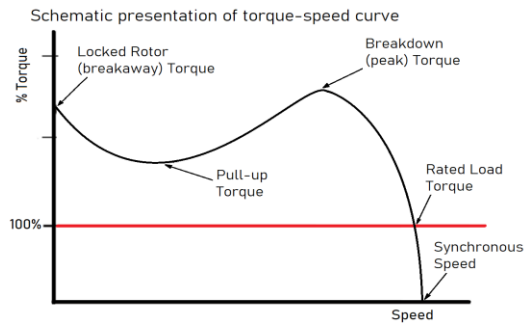
Rotor type	Cage motor
Bearing type	6004-2Z/C3WT
Type of grease	Unirex N3
Phase resistance at 20°C	5,6053 Ohm
Country of origin	CZ

Voltage/Freq	Locked rotor Torque [nom] [%]	Starting current [% nom]	Pull-up Torque [% nom]	Breakdown Torque [% nom]	No-load Current [A]
@ D 230V 50Hz	230%	466%	224%	270%	3,29 A
@ D 265V 60Hz	216%	487%	218%	279%	3,08 A

NOTE

All performance values at rated voltage and frequency.
 All performance parameters are subjected to standard tolerance as per IEC 60034-1
 Voltage, Frequency are as per IEC60034-1
 Technical data are subject to change. There may be discrepancies between calculated and name plate values.

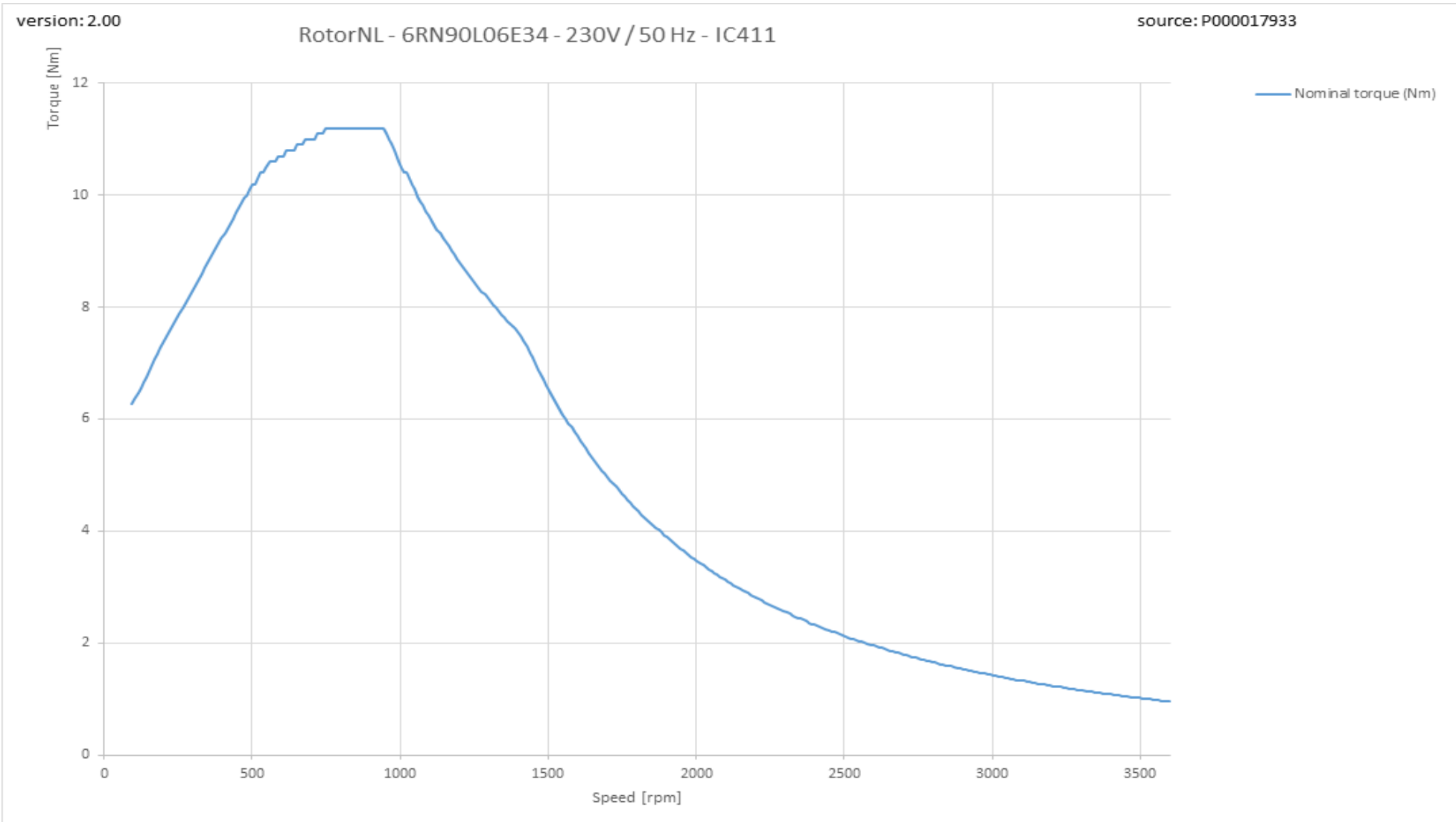
Efficiency	Europe	Global IEC
Standards	EN-IEC: 60034-30	IEC: 60034-30



6RN90L06E34 6-pole 1,10kW D/Y 230/400V 50Hz S1 IC411 IE3



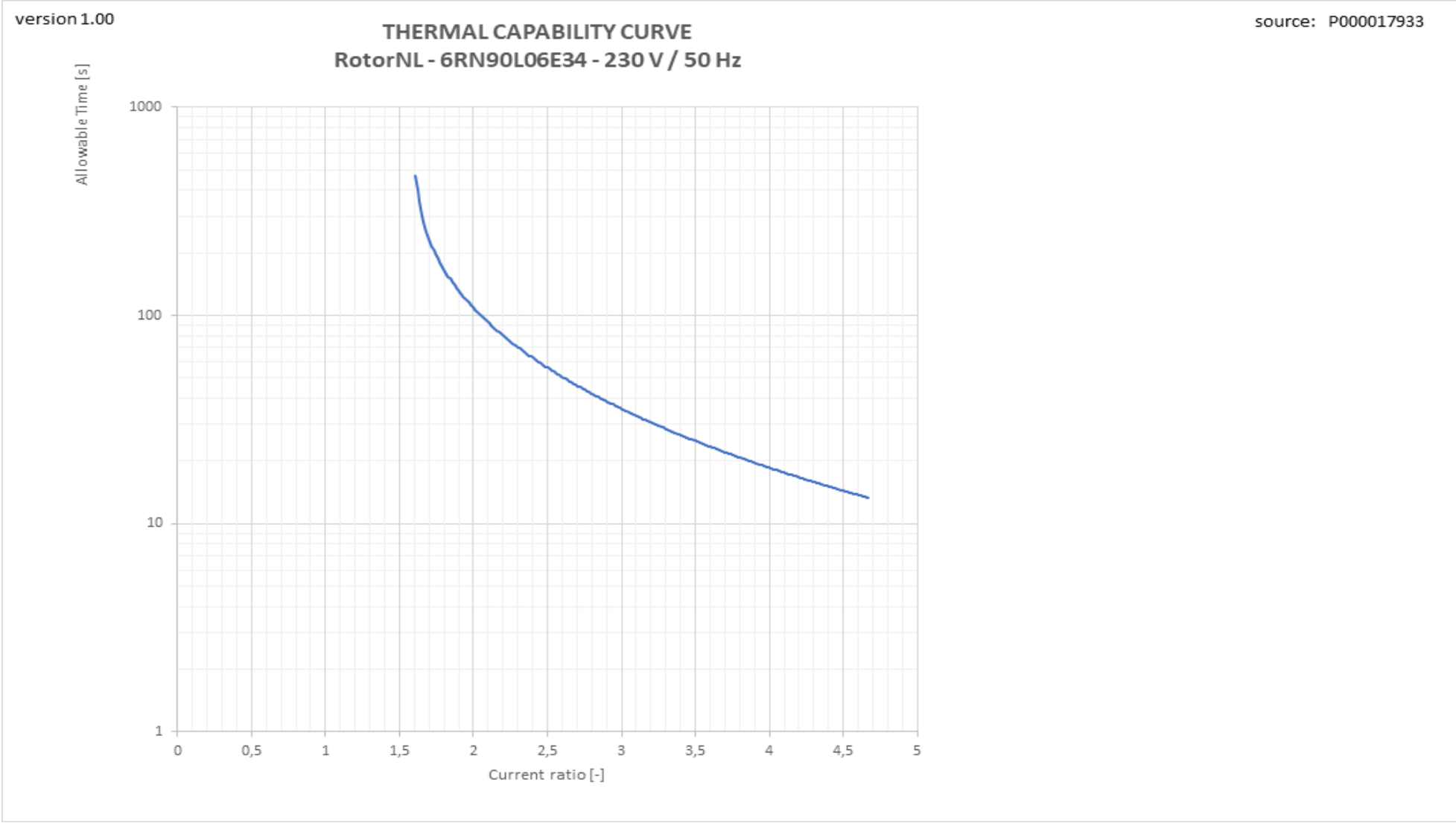
Torque versus Speed curve with variable frequency drive



This is an uncontrolled copy - document subject to change - alterations reserved without notice

Therm_VSD graph

This is an uncontrolled copy - document subject to change - alterations reserved without notice



Tn graph

