

# PRODUCT INFORMATION PACKET

rotor nl<sup>®</sup>

Model No: 6RN80M02E33U241081

Catalog No: 6RN80M02E33U24@1081

1.10 kW General Purpose Low Voltage IEC Motor IE3, 3 phase, 3000 rpm, D230/Y400V 50Hz,  
80M Frame B3, IC411



Regal and Rotor nl are trademarks of Regal Rexnord Corporation or one of its affiliated companies.  
©2023 Regal Rexnord Corporation, All Rights Reserved. MC017097E

RegalRexnord



### Nameplate Specifications

Output HP	1.5 Hp	Output KW	1.1 kW
Frequency	50 Hz	Voltage	D230/Y400 V
Current	3.70 A	Speed	2885 rpm
Service Factor	1	Phase	3
Efficiency	82.7 %	Power Factor	0.84
Duty	S1	Insulation Class	F
Frame	80M	Enclosure	Totally Enclosed Fan Cooled
Thermal Protection	No Protection	Ambient Temperature	40 °C
Drive End Bearing Size	6204-2Z/C3WT (-40°C/+160°C)	Opp Drive End Bearing Size	6004-2Z/C3WT (-40°C/+160°C)
UL	No	CSA	Optional
CE	Yes	IP Code	IP55
Number of Speeds	1	Efficiency Class	IE3

### Technical Specifications

Electrical Type	Squirrel Cage	Starting Method	Direct On Line
Poles	2	Rotation	Clockwise Shaft End
Mounting	B3	Motor Orientation	Any
Frame Material	Cast iron	Shaft Type	Keyed
Shaft Diameter	19 mm	Shaft Extension	40 mm
Outline Drawing	6RN80M02E33U241081		

This is an uncontrolled document once printed or downloaded and is subject to change without notice. Date Created:01/19/2023

1

2

3

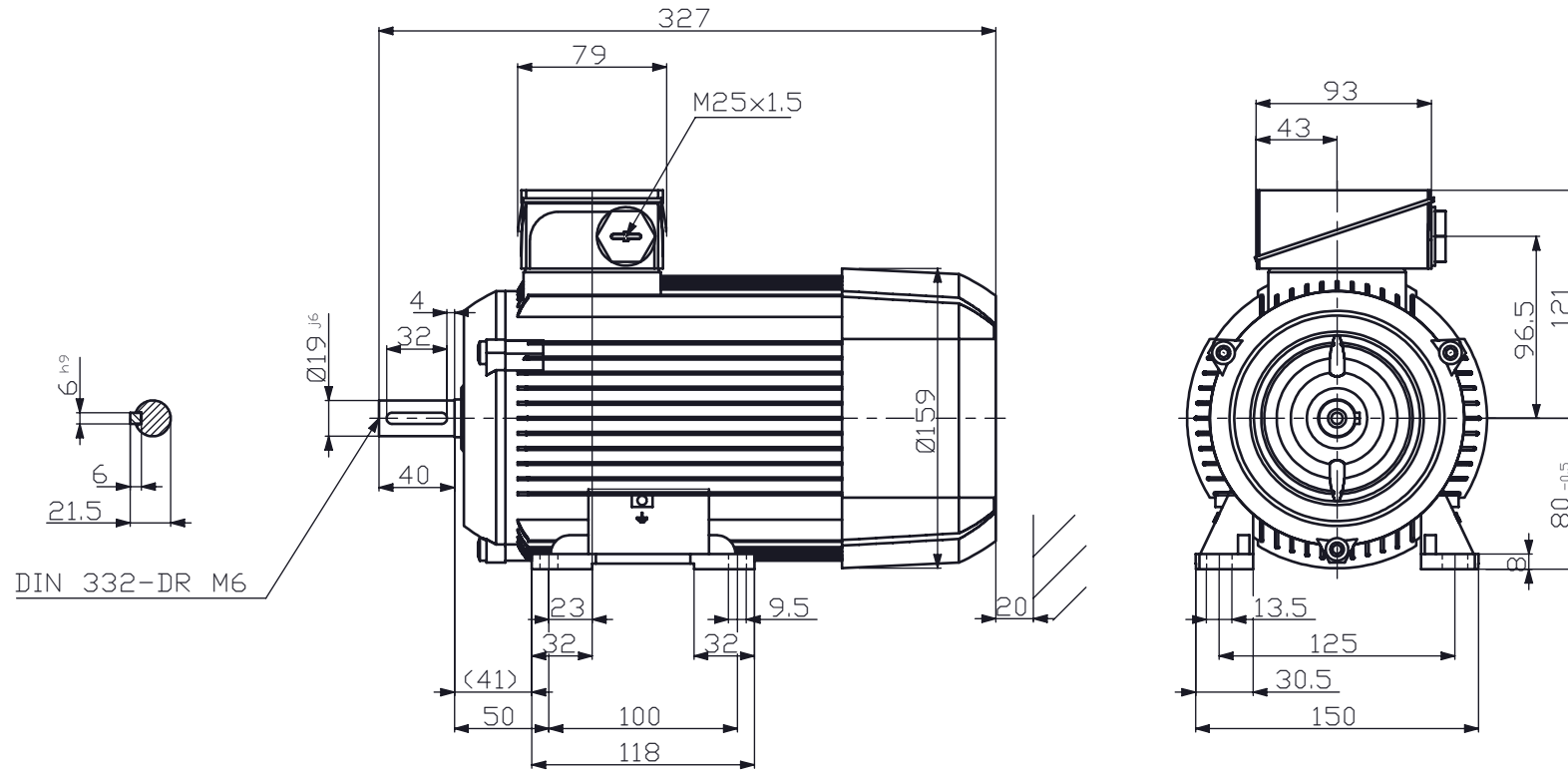
4

5

A

B

C



REVISIONS				
ZONE	REV.	DESCRIPTION	DATE	APPROVED



**rotor**

Mors 2, P.O.box 45  
7150 AA Eibergen nl  
Tel: +31(0)545 464640  
E-mail: info@rotor.nl

MOTORTYPE: 6RN80M02E33	TITLE: Outline drawing
MOUNTING: IM1041	SPECIAL:
PROTECTION:	CHECKED:
COOLING: IC411	ART. NR.:
REMARKS:	REVISION:
DIMENSIONS: MM	PAPER SIZE: A4
SCALE: 1:4	PAGE 1 OF 1

DRAWN:	DATE:
COMPLETE OR PARTIAL COPYING OR USE OF SPECIFICATIONS IS NOT ALLOWED WITHOUT OUR PERMISSION.	
SUBJECT TO ALTERATIONS	



Datasheet



Mors 1-5, 7151 MX Eibergen NL  
 www.rotor.nl tel.: +31 545 464640  
 sales@rotor.nl tel.: +31 545 464646

**Model No.** 2-Pole cage motor 6RN 80M 1,1kW D230V 50Hz IM1081

U (V)	Δ / Y Conn	f [Hz]	P		I [A]	n [RPM]	T [Nm]	IE Class	% EFF at __ load			PF at __load			I <sub>A</sub> /I <sub>N</sub> [pu]	T <sub>A</sub> /T <sub>N</sub> [pu]	T <sub>R</sub> /T <sub>N</sub> [pu]
			[kW]	[hp]					FL	3/4FL	1/2FL	FL	3/4FL	1/2FL			
230	D	50	1,1	1 1/2	3,9	2885	3,66	IE3	83,7			0,84			7,40	2,80	3,80
400	Y				2,25												
265	D	60	1,27	1,702	3,9	3480	3,5	IE3	84,0	84,0		0,85		7,40	2,80	3,80	
460	Y				2,25												

Motor type	<b>6RN80M02E33</b>
Enclosure	<b>Totally Enclosed Fan Cooling</b>
Frame Material	<b>Aluminum</b>
Frame size	<b>80M</b>
Duty	<b>S1</b>
Voltage	<b>230 V</b>
Frequency	<b>50 Hz</b>
Power output	<b>1,1 kW</b>
Insulation class	<b>F</b>
Ambient temperature	<b>-20 till 40 °C</b>
Temperature rise	<b>temp.rise acc. B (80K)</b>
Temperature rise winding	<b>39 K</b>
Temperature rise surface	
Altitude above sea level	<b>1000 mtr</b>
Hazardous area classification	<b>Safe area</b>

Rotor type	<b>Cage motor</b>
Bearing type	<b>6004-2Z/C3WT</b>

Type of grease	<b>Unirex N3</b>
----------------	------------------

Phase resistance at 20°C	<b>5,0036 Ohm</b>
Country of origin	<b>CZ</b>

Voltage/Freq	Locked rotor Torque [nom] [%]	Starting current [% nom]	Pull-up Torque [% nom]	Breakdown Torque [% nom]	No-load Current [A]
@ D 230V 50Hz	280%	748%	250%	380%	1,88 A
@ D 265V 60Hz	280%	741%		380%	1,57 A

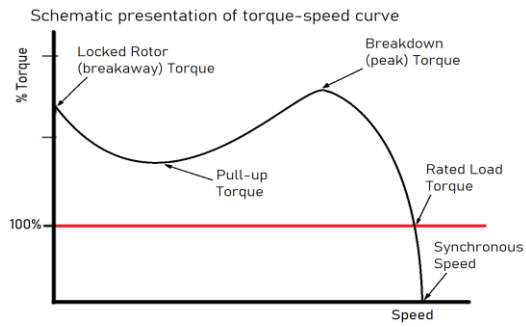
**NOTE**

All performance values at rated voltage and frequency.  
 All performance parameters are subjected to standard tolerance as per IEC 60034-1  
 Voltage, Frequency are as per IEC60034-1  
 Technical data are subject to change. There may be discrepancies between calculated and name plate values.

Efficiency	Europe	Global IEC
Standards	EN-IEC: 60034-30	IEC: 60034-30

This is an uncontrolled copy, data can be changed anytime.

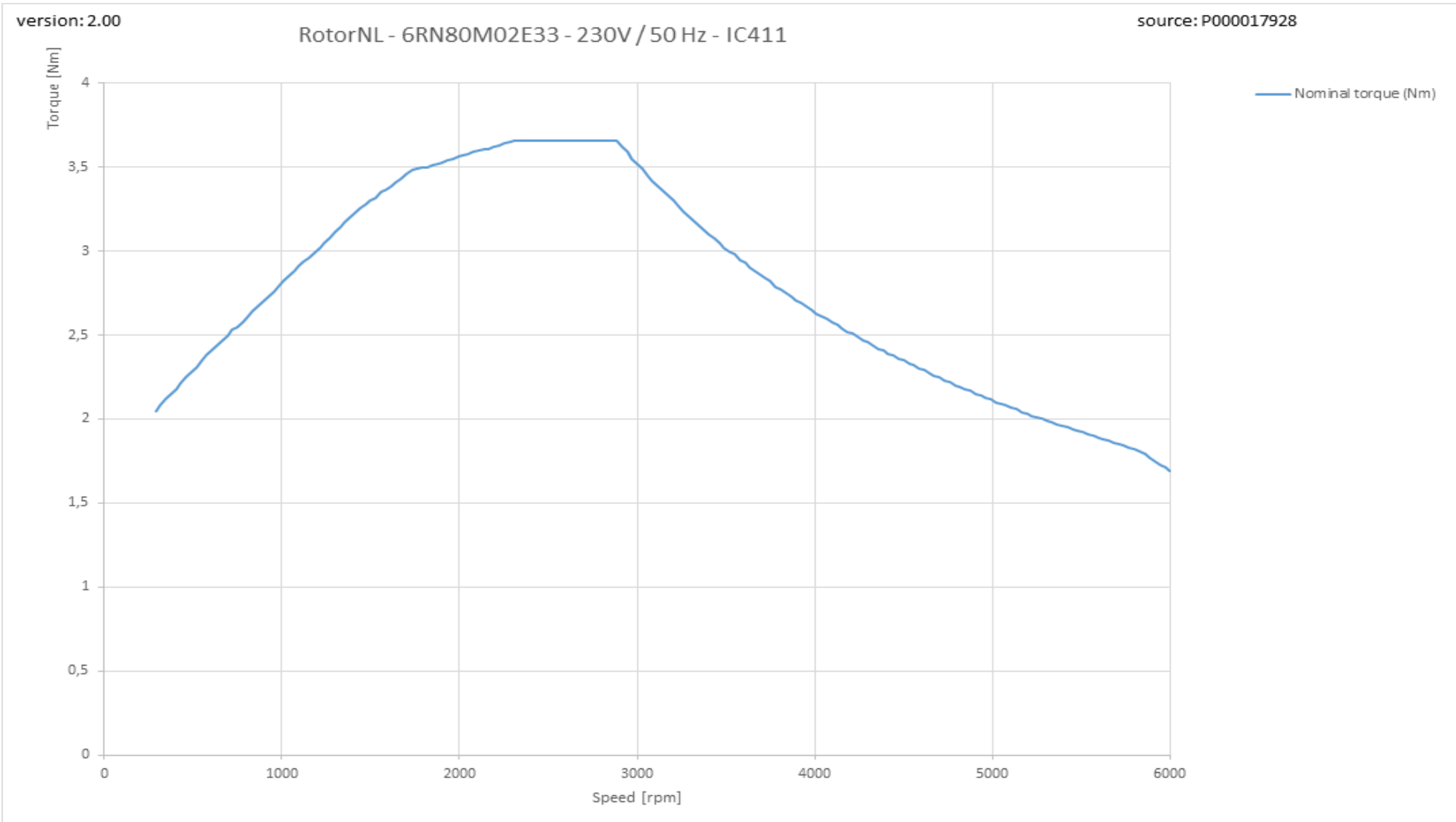
Degree of protection	<b>IP55</b>
Mounting type	<b>IM1081</b>
Cooling method	<b>IC411</b>
Motor weight - approx.	<b>13 kg</b>
Gross weight - approx.	<b>13 kg</b>
Motor inertia	<b>0,0013 kgm<sup>2</sup></b>
Vibration level	<b>according IEC60034-14</b>
Direction of rotation	<b>cw / ccw</b>



6RN80M02E33 2-pole 1,10kW D/Y 230/400V 50Hz S1 IC411 IE3



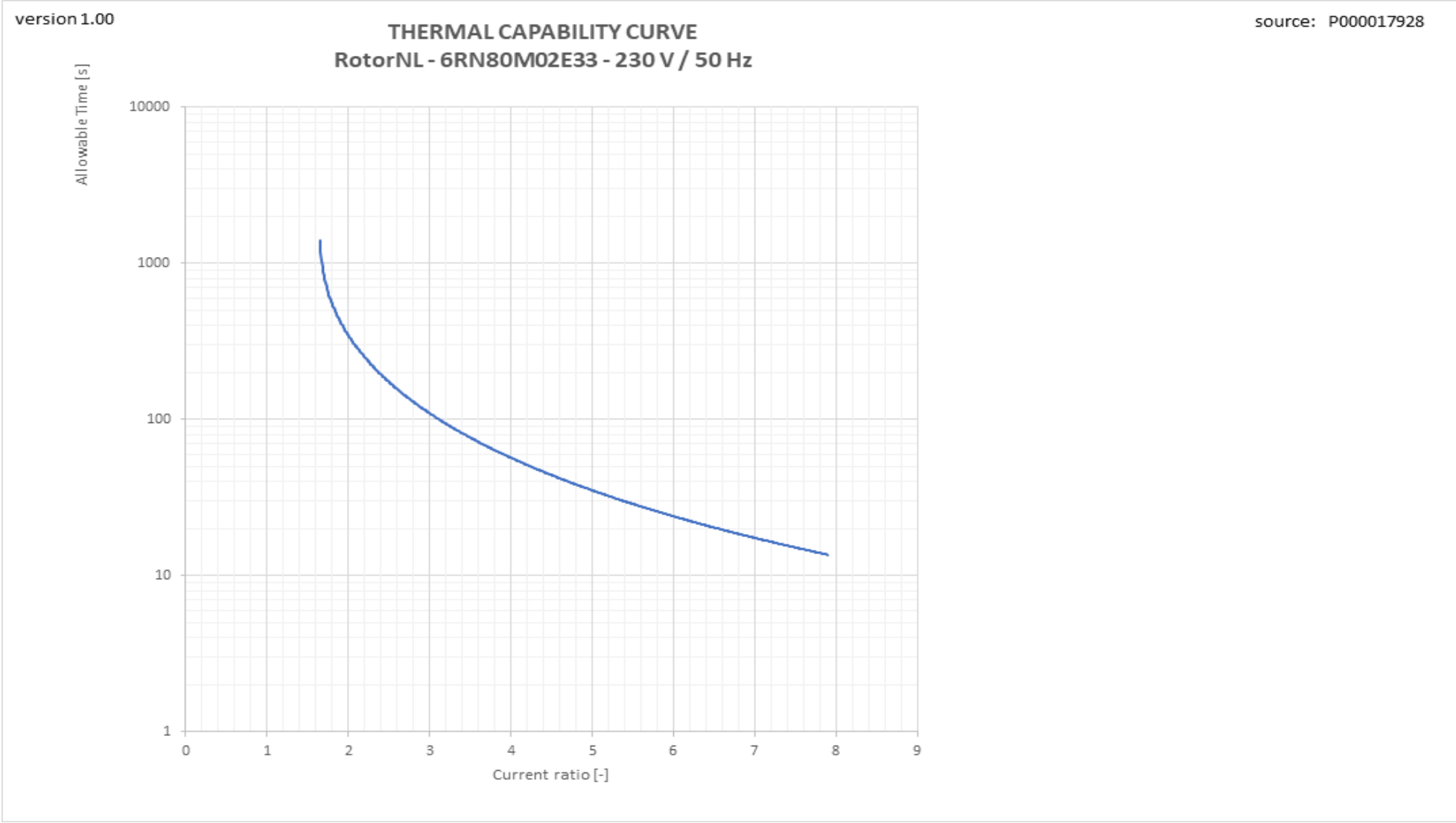
Torque versus Speed curve with variable frequency drive



This is an uncontrolled copy - document subject to change - alterations reserved without notice

Therm\_VSD graph

This is an uncontrolled copy - document subject to change - alterations reserved without notice



Tn graph

