

PRODUCT INFORMATION PACKET

rotor nl[®]

Model No: 6RN280M06E32U463021

Catalog No: 6RN280M06E32U46@3021

55.00 kW General Purpose Low Voltage IEC Motor IE3, 3 phase, 1000 rpm, D400/Y690V 50Hz,
280M Frame B5, IC411



Regal and Rotor nl are trademarks of Regal Rexnord Corporation or one of its affiliated companies.
©2023 Regal Rexnord Corporation, All Rights Reserved. MC017097E

RegalRexnord



Nameplate Specifications

Output HP	75 Hp	Output KW	55.0 kW
Frequency	50 Hz	Voltage	D400/Y690 V
Current	99.80 A	Speed	988 rpm
Service Factor	1	Phase	3
Efficiency	94.1 %	Power Factor	0.85
Duty	S1	Insulation Class	F
Frame	280M	Enclosure	Totally Enclosed Fan Cooled
Thermal Protection	No Protection	Ambient Temperature	40 °C
Drive End Bearing Size	6317/C3	Opp Drive End Bearing Size	6317/C3
UL	No	CSA	Optional
CE	Yes	IP Code	IP55
Number of Speeds	1	Efficiency Class	IE3

Technical Specifications

Electrical Type	Squirrel Cage	Starting Method	Direct On Line
Poles	6	Rotation	Clockwise Shaft End
Mounting	B5	Motor Orientation	Any
Frame Material	Cast iron	Shaft Type	Keyed
Shaft Diameter	75 mm	Shaft Extension	140 mm
Outline Drawing	6RN280M06E32U463021		

This is an uncontrolled document once printed or downloaded and is subject to change without notice. Date Created:01/19/2023

1 2 3 4 5 6 7 8

A

A

B

B

C

C

D

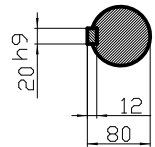
D

E

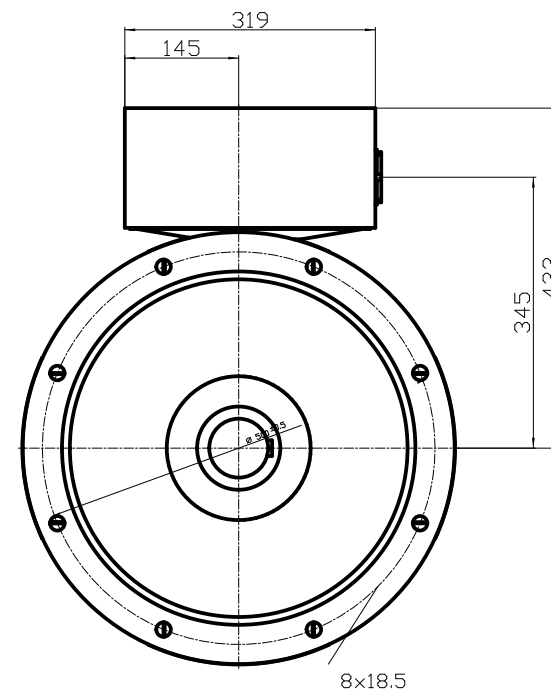
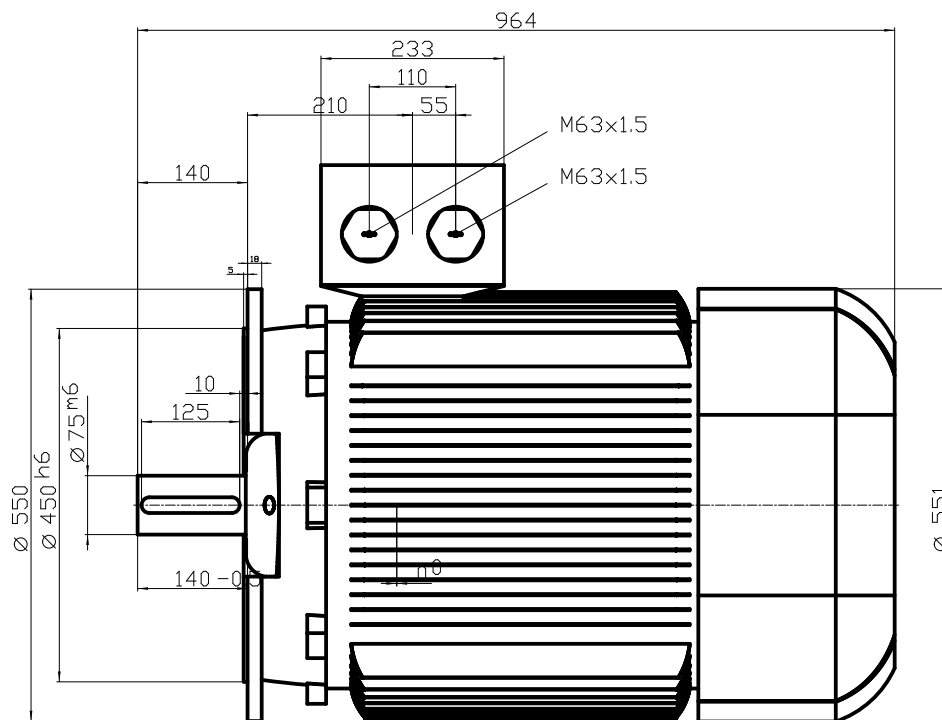
E

F

F



DIN 332-DR M20
DIN 6885 Teil1



Unit mm
Date 30.04.13

6RN280M06E32 V1

rotor

Datasheet



Mors 1-5, 7151 MX Eibergen NL
 www.rotor.nl tel.: +31 545 464640
 sales@rotor.nl tel.: +31 545 464646

Model No. 6-Pole cage motor 6RN 280M 55kW D400V 50Hz IM3021-FF500

U (V)	Δ / Y Conn	f [Hz]	P		I [A]	n [RPM]	T [Nm]	IE Class	% EFF at __ load			PF at __load			I _A /I _N [pu]	T _A /T _N [pu]	T _R /T _N [pu]
			[kW]	[hp]					FL	3/4FL	1/2FL	FL	3/4FL	1/2FL			
400	D	50	55	75	99,8	988	531	IE3	93,9	94,4	94,2	0,85	0,81	0,72	7,55	2,94	2,86
690	Y				57,7												
460	D	60	55	75	87,4	1190	441	IE3	94,5	94,6	94,0	0,84	0,79	0,70	8,53	3,33	3,19

Motor type	6RN280M06E32
Enclosure	Totally Enclosed Fan Cooling
Frame Material	Cast iron
Frame size	280M
Duty	S1
Voltage	400 V
Frequency	50 Hz
Power output	55 kW
Insulation class	F
Ambient temperature	-20 till 40 °C
Temperature rise	temp.rise acc. B (80K)
Temperature rise winding	50 K
Temperature rise surface	31 K
Altitude above sea level	1000 mtr
Hazardous area classification	Safe area

Degree of protection	IP55
Mounting type	IM3021-FF500
Cooling method	IC411
Motor weight - approx.	560 kg
Gross weight - approx.	580 kg
Motor inertia	1,6000 kgm²
Vibration level	according IEC60034-14
Noise level (pressure) acc 60034-9	58 dB(A)

Rotor type	Cage motor
Bearing type	6317/C3
Lubrication method	30gr/8000hrs
Type of grease	Unirex N3

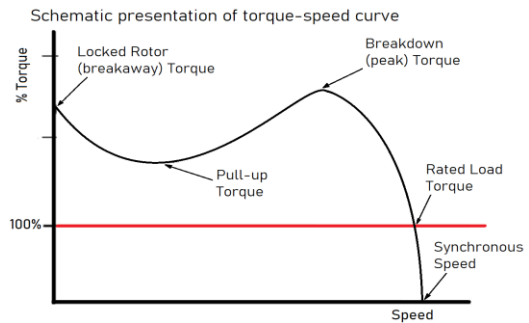
Phase resistance at 20°C	0,1180 Ohm
Country of origin	CZ

Voltage/Freq	Locked rotor Torque [nom] [%]	Starting current [% nom]	Pull-up Torque [% nom]	Breakdown Torque [% nom]	No-load Current [A]
@ D 400V 50Hz	294%	754%	210%	286%	32,5 A
@ D 460V 60Hz	333%	852%	240%	319%	30,7 A

NOTE

All performance values at rated voltage and frequency.
 All performance parameters are subjected to standard tolerance as per IEC 60034-1
 Voltage, Frequency are as per IEC60034-1
 Technical data are subject to change. There may be discrepancies between calculated and name plate values.

Efficiency	Europe	Global IEC
Standards	EN-IEC: 60034-30	IEC: 60034-30



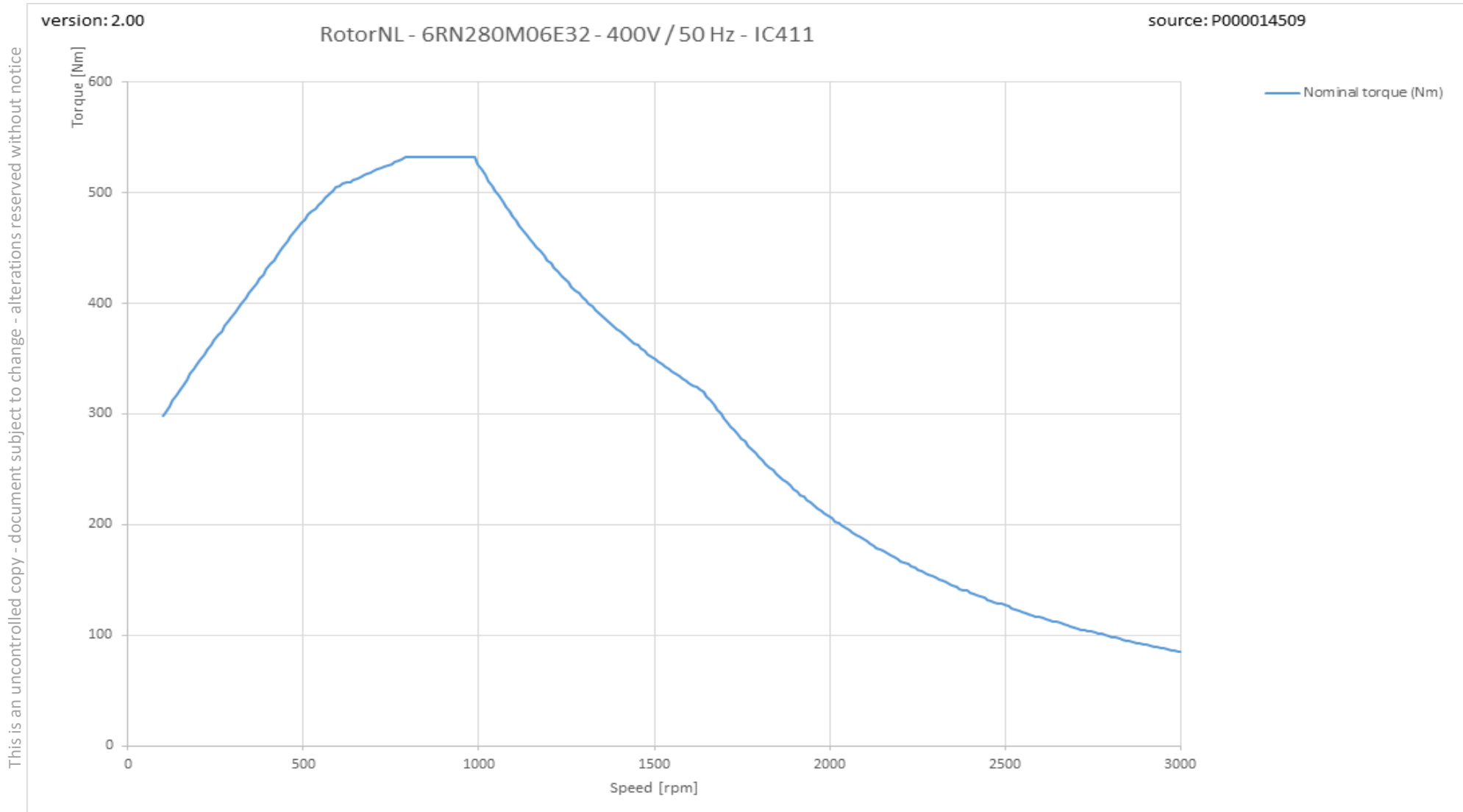
This is an uncontrolled copy, data can be changed anytime.



6RN280M06E32 6-pole 55,00kW D/Y 400/690V 50Hz S1 IC411 IE3



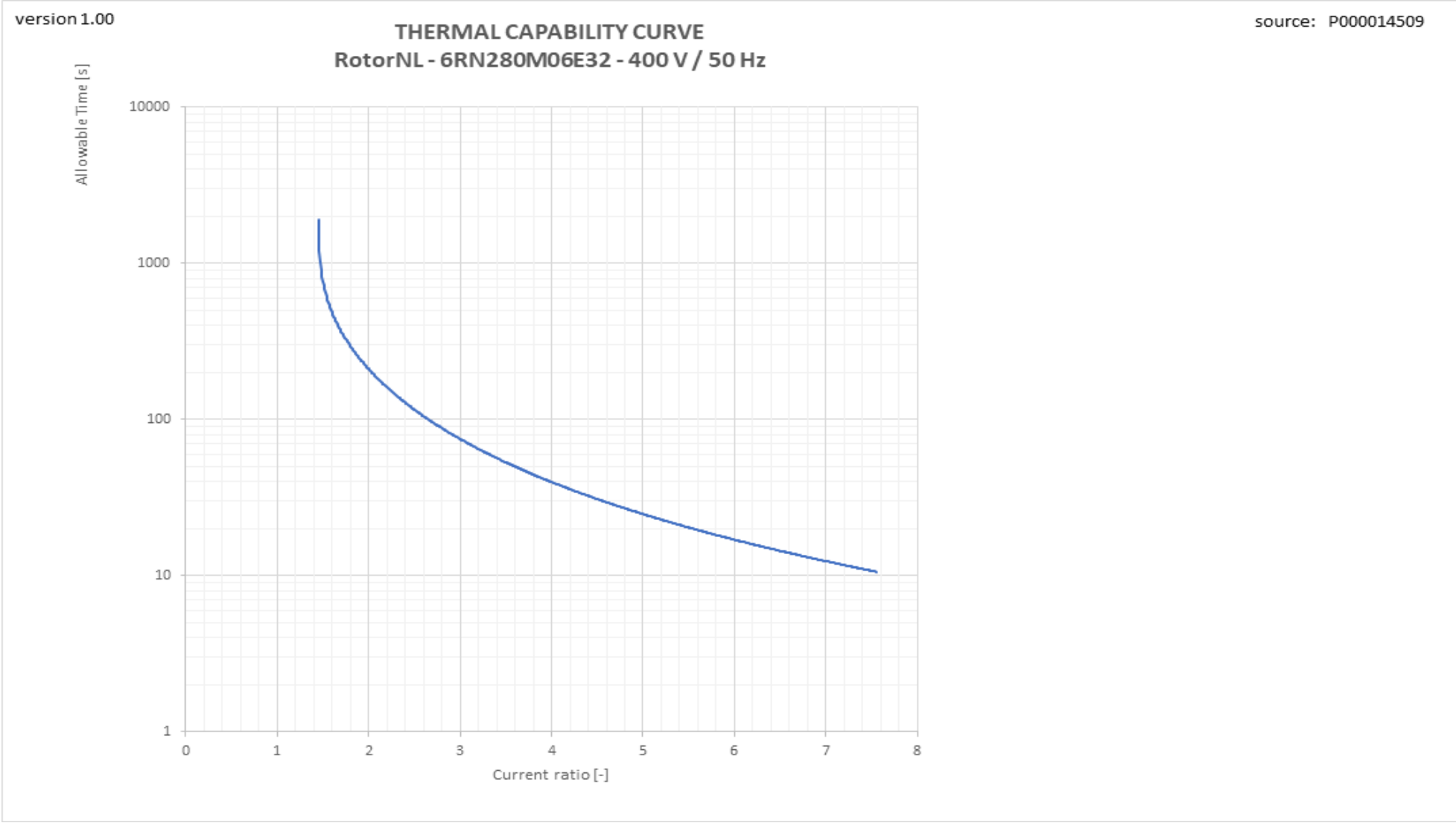
Torque versus Speed curve with variable frequency drive



This is an uncontrolled copy - document subject to change - alterations reserved without notice

Therm_VSD graph

This is an uncontrolled copy - document subject to change - alterations reserved without notice



Tn graph

