

PRODUCT INFORMATION PACKET

rotor nl[®]

Model No: 6RN280M04E36U461041

Catalog No: 6RN280M04E36U46@1041

110.00 kW General Purpose Low Voltage IEC Motor IE3, 3 phase, 1500 rpm, D400/Y690V 50Hz,
280M Frame B3, IC411



Regal and Rotor nl are trademarks of Regal Rexnord Corporation or one of its affiliated companies.
©2023 Regal Rexnord Corporation, All Rights Reserved. MC017097E

RegalRexnord



Nameplate Specifications

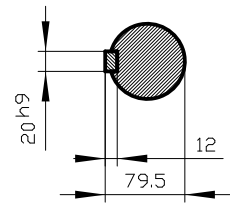
Output HP	150 Hp	Output KW	110.0 kW
Frequency	50 Hz	Voltage	D400/Y690 V
Current	190.00 A	Speed	1485 rpm
Service Factor	1	Phase	3
Efficiency	95.4 %	Power Factor	0.86
Duty	S1	Insulation Class	F
Frame	280M	Enclosure	Totally Enclosed Fan Cooled
Thermal Protection	No Protection	Ambient Temperature	40 °C
Drive End Bearing Size	6317/C3	Opp Drive End Bearing Size	6317/C3
UL	No	CSA	Optional
CE	Yes	IP Code	IP55
Number of Speeds	1	Efficiency Class	IE3

Technical Specifications

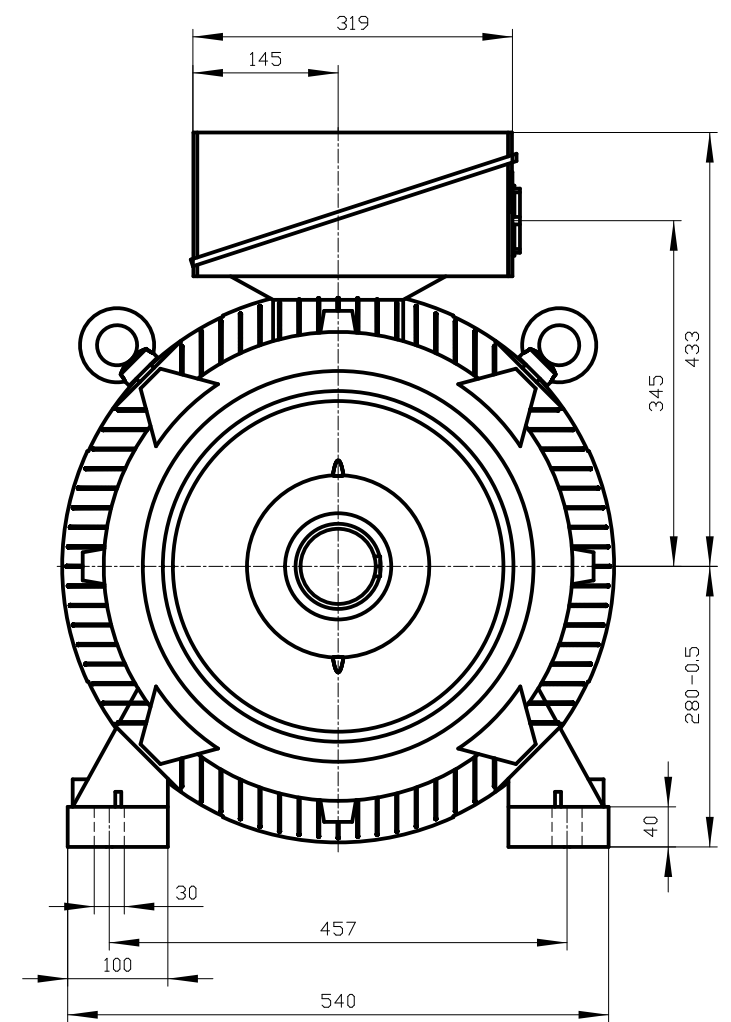
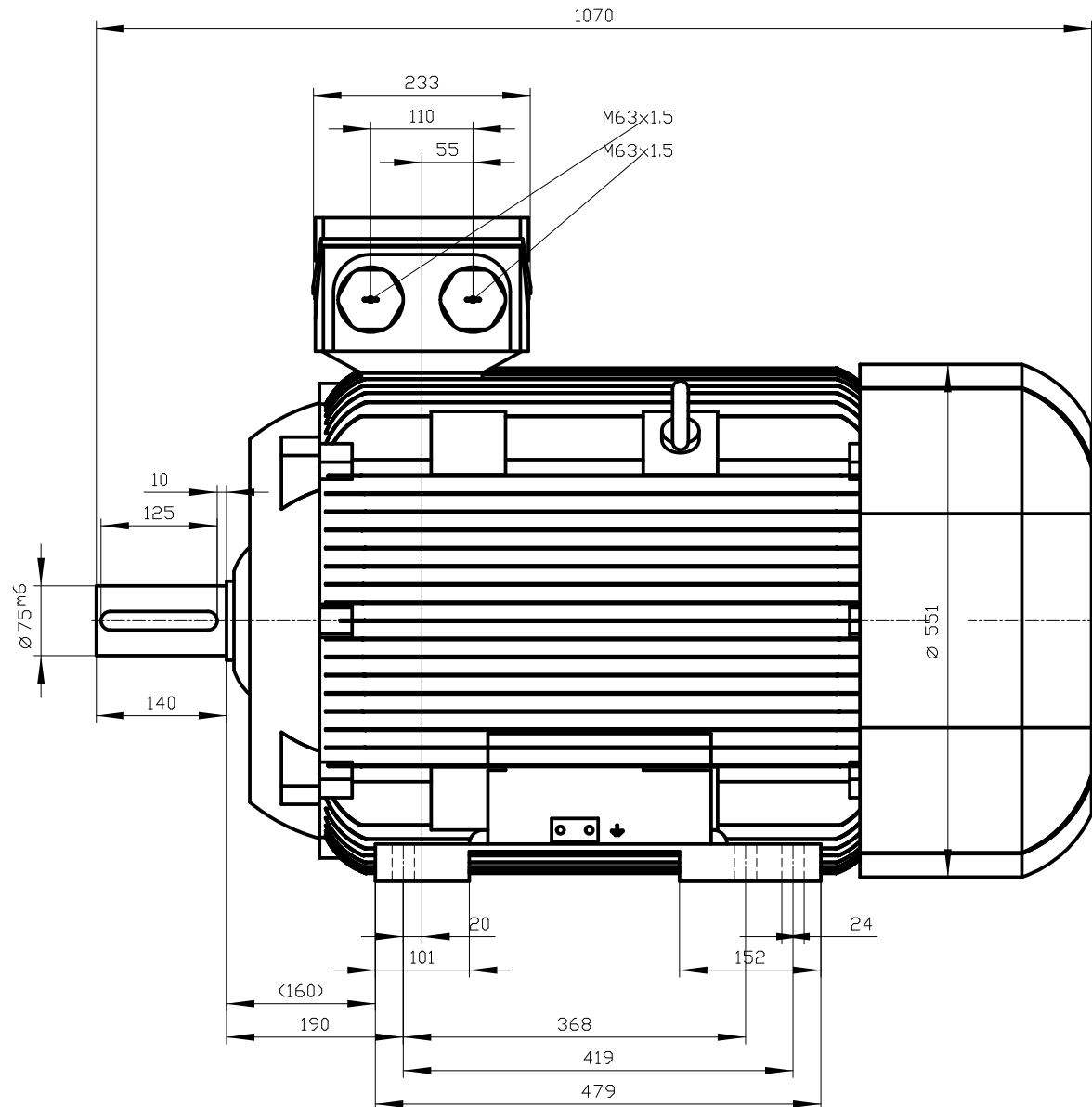
Electrical Type	Squirrel Cage	Starting Method	Direct On Line
Poles	4	Rotation	Clockwise Shaft End
Mounting	B3	Motor Orientation	Any
Frame Material	Cast iron	Shaft Type	Keyed
Outline Drawing	6RN280M04E36U461041		

This is an uncontrolled document once printed or downloaded and is subject to change without notice. Date Created:01/19/2023

den Fall der Patenterteilung oder GK-Eintragung.



DIN 332-DR M20
DIN 6885 Teil1



	-	
Unit	mm	
Date	3/9/16	6RN280M04E36U46 IM1041 110kW
		DT

Datasheet



Mors 1-5, 7151 MX Eibergen NL
 www.rotor.nl tel.: +31 545 464640
 sales@rotor.nl tel.: +31 545 464646

Model No. 4-Pole cage motor 6RN 280M 110kW D400V 50Hz IM1041

U (V)	Δ / Y Conn	f [Hz]	P		I [A]	n [RPM]	T [Nm]	IE Class	% EFF at __ load			PF at __load			I _A /I _N [pu]	T _A /T _N [pu]	T _R /T _N [pu]
			[kW]	[hp]					FL	3/4FL	1/2FL	FL	3/4FL	1/2FL			
400	D	50	110	150	190	1485	708	IE3	95,4	95,9	95,7	0,86	0,86	0,81	7,51	2,53	2,90
690	Y				114												
460	D	60	110	150	166	1788	587	IE3	95,5	95,5	94,7	0,87	0,85	0,77	8,59	2,87	3,20

Motor type	6RN280M04E36
Enclosure	Totally Enclosed Fan Cooling
Frame Material	Cast iron
Frame size	280M
Duty	S1
Voltage	400 V
Frequency	50 Hz
Power output	110 kW
Insulation class	F
Ambient temperature	-20 till 40 °C
Temperature rise	temp.rise acc. B (80K)
Temperature rise winding	76 K
Temperature rise surface	
Altitude above sea level	1000 mtr
Hazardous area classification	Safe area

Degree of protection	IP55
Mounting type	IM1041
Cooling method	IC411
Motor weight - approx.	710 kg
Gross weight - approx.	730 kg
Motor inertia	1,9000 kgm²
Vibration level	according IEC60034-14
Direction of rotation	cw /ccw

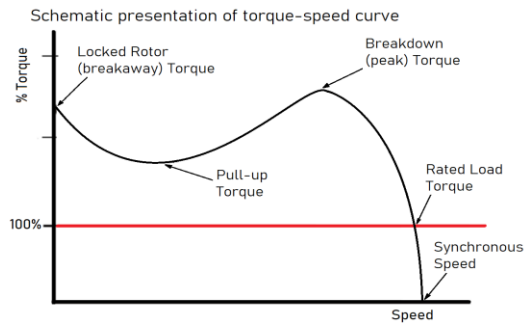
Rotor type	Cage motor
Bearing type	6317/C3
Lubrication method	30gr/8000hrs
Type of grease	Unirex N3
Phase resistance at 20°C	0,0377 Ohm
Country of origin	CZ

Voltage/Freq	Locked rotor Torque [nom] [%]	Starting current [% nom]	Pull-up Torque [% nom]	Breakdown Torque [% nom]	No-load Current [A]
@ D 400V 50Hz	253%	747%		290%	50,8 A
@ D 460V 60Hz	287%	855%	227%	320%	48,2 A

NOTE

All performance values at rated voltage and frequency.
 All performance parameters are subjected to standard tolerance as per IEC 60034-1
 Voltage, Frequency are as per IEC60034-1
 Technical data are subject to change. There may be discrepancies between calculated and name plate values.

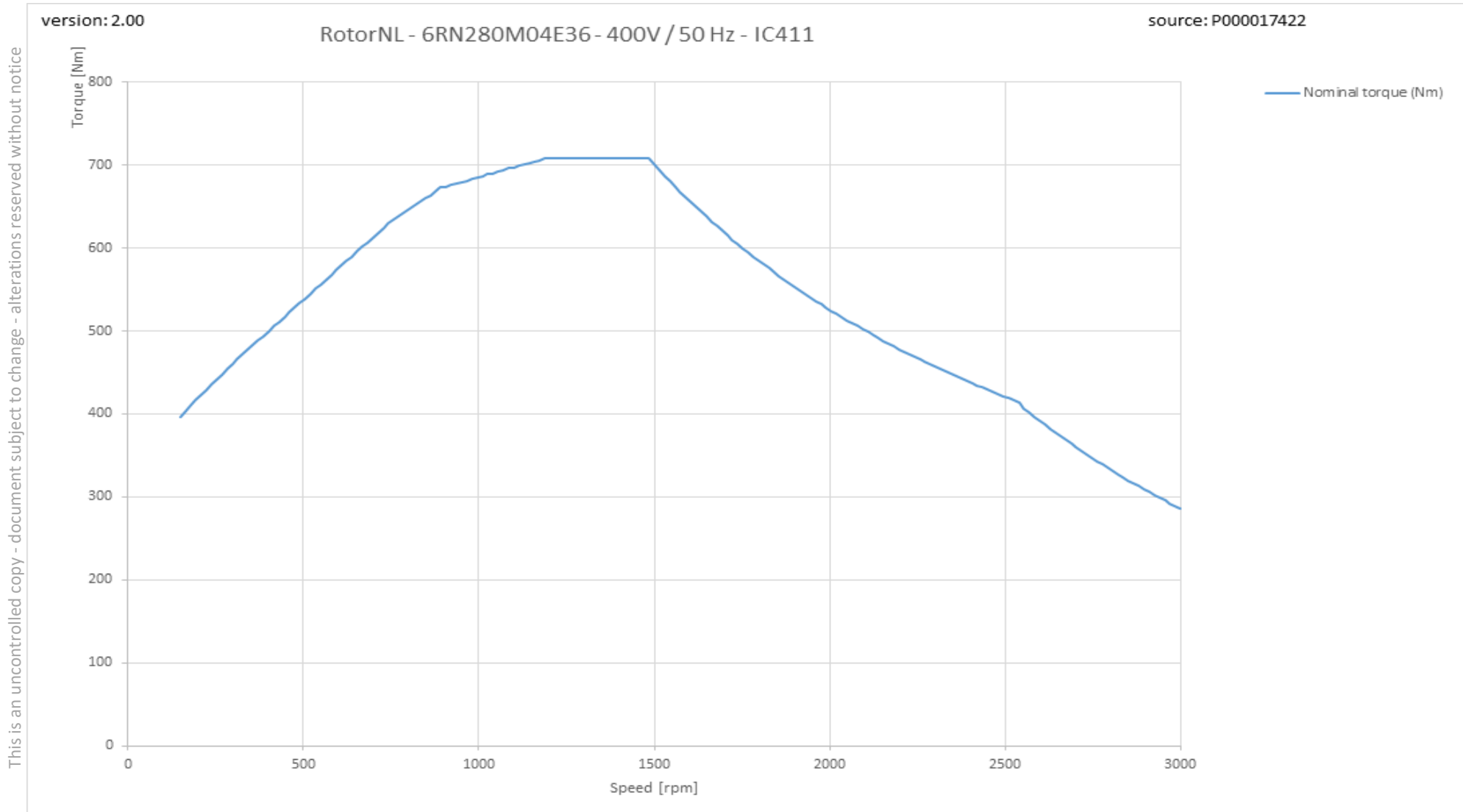
Efficiency	Europe	Global IEC
Standards	EN-IEC: 60034-30	IEC: 60034-30



6RN280M04E36 4-pole 110,00kW D/Y 400/690V 50Hz S1 IC411 IE3



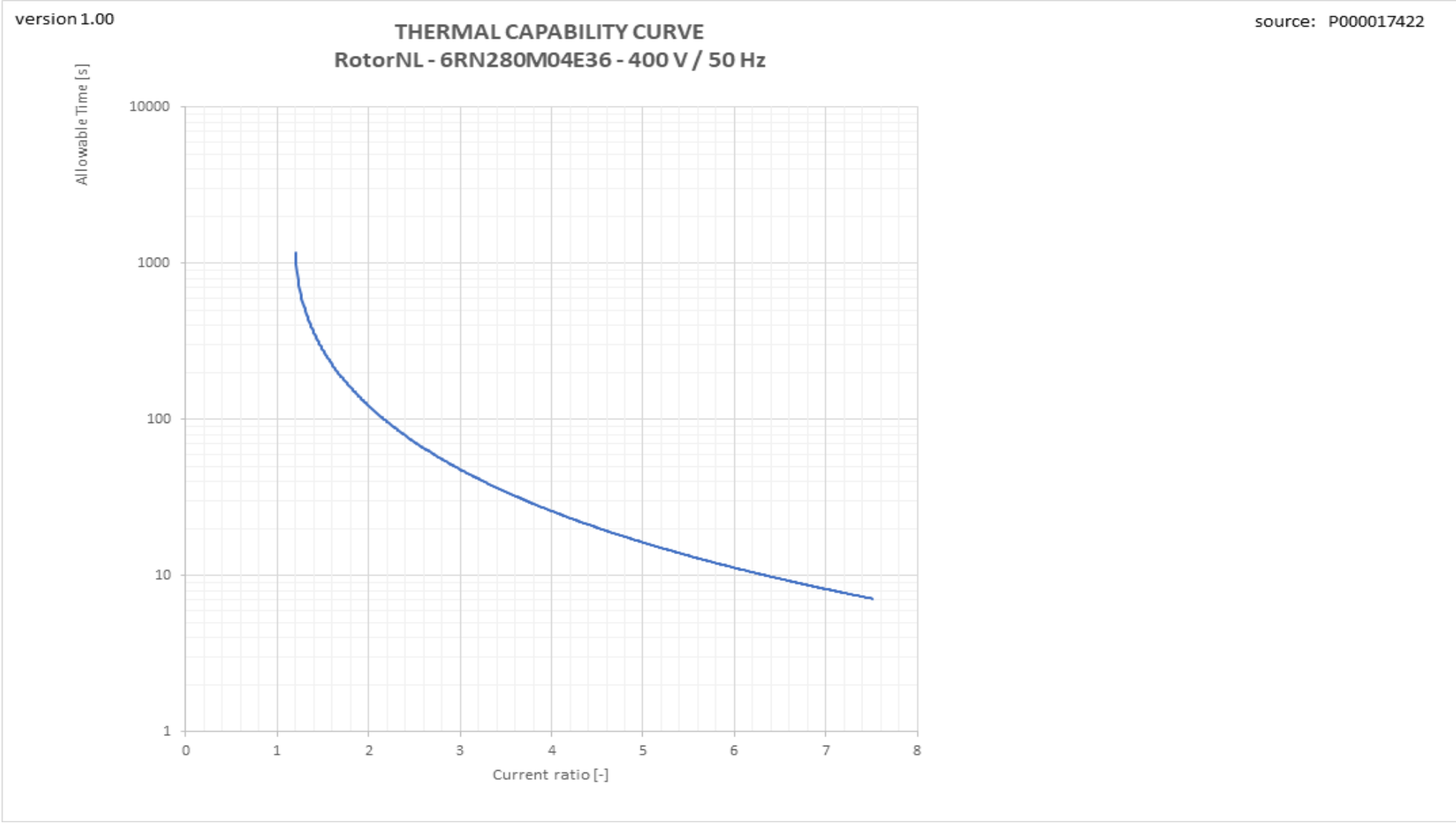
Torque versus Speed curve with variable frequency drive



This is an uncontrolled copy - document subject to change - alterations reserved without notice

Therm_VSD graph

This is an uncontrolled copy - document subject to change - alterations reserved without notice



Tn graph

