

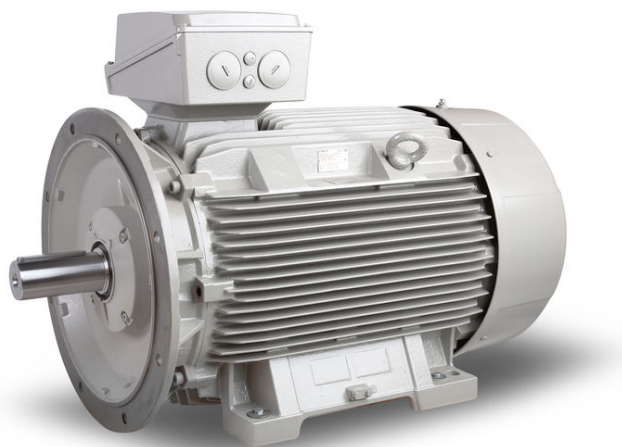
PRODUCT INFORMATION PACKET

rotor nl[®]

Model No: 6RN225M06E32U463021

Catalog No: 6RN225M06E32U46@3021

30.00 kW General Purpose Low Voltage IEC Motor IE3, 3 phase, 1000 rpm, D400/Y690V 50Hz,
225M Frame B5, IC411



Regal and Rotor nl are trademarks of Regal Rexnord Corporation or one of its affiliated companies.
©2023 Regal Rexnord Corporation, All Rights Reserved. MC017097E

RegalRexnord



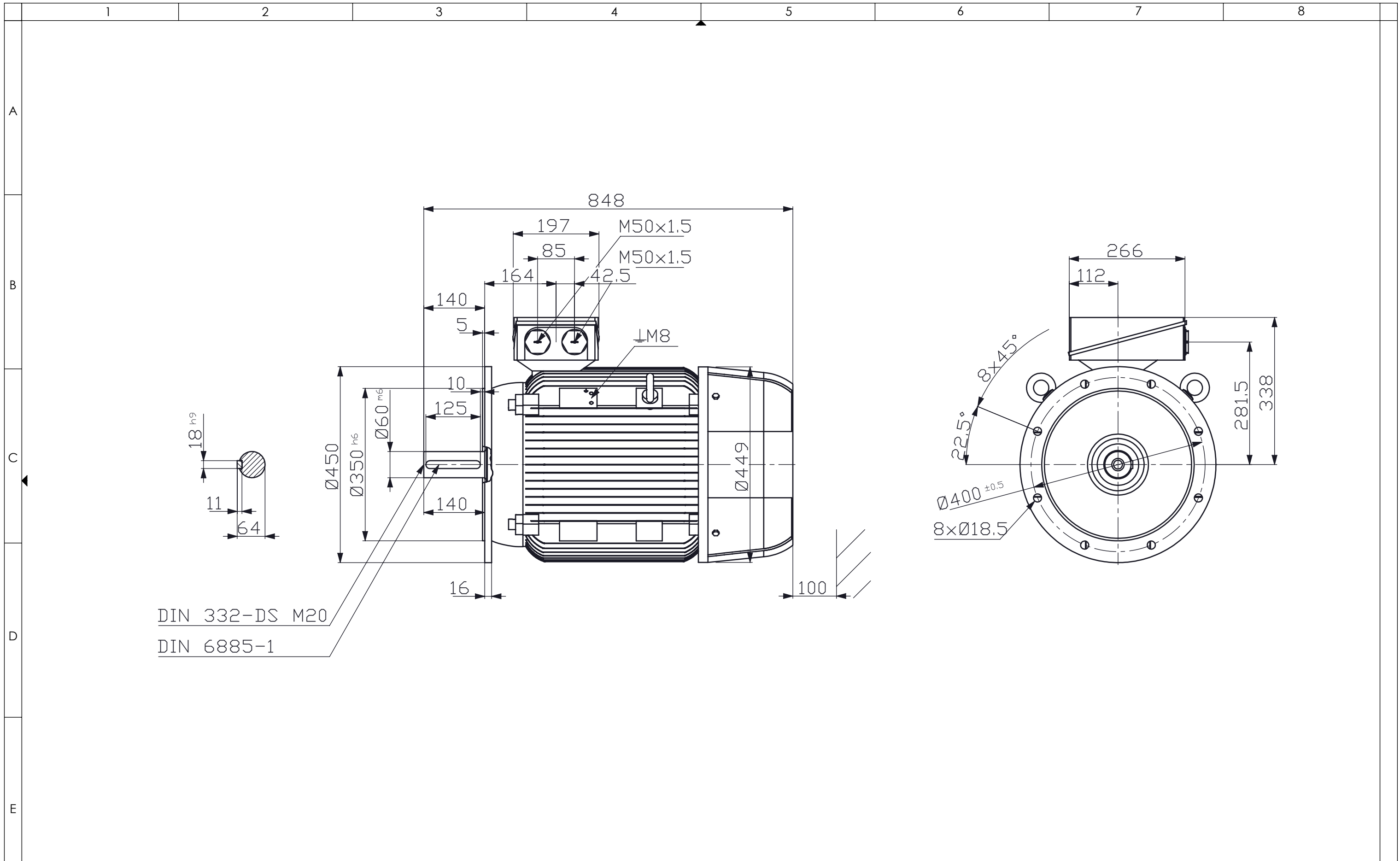
Nameplate Specifications

| | | | |
|------------------------|----------------------|----------------------------|------------------------------------|
| Output HP | 40 Hp | Output KW | 30.0 kW |
| Frequency | 50 Hz | Voltage | D400/Y690 V |
| Current | 56.50 A | Speed | 982 rpm |
| Service Factor | 1 | Phase | 3 |
| Efficiency | 92.9 % | Power Factor | 0.83 |
| Duty | S1 | Insulation Class | F |
| Frame | 225M | Enclosure | Totally Enclosed Fan Cooled |
| Thermal Protection | No Protection | Ambient Temperature | 40 °C |
| Drive End Bearing Size | 6313/C3 | Opp Drive End Bearing Size | 6313/C3 |
| UL | No | CSA | Optional |
| CE | Yes | IP Code | IP55 |
| Number of Speeds | 1 | Efficiency Class | IE3 |

Technical Specifications

| | | | |
|-----------------|----------------------------|-------------------|----------------------------|
| Electrical Type | Squirrel Cage | Starting Method | Direct On Line |
| Poles | 6 | Rotation | Clockwise Shaft End |
| Mounting | B5 | Motor Orientation | Any |
| Frame Material | Cast iron | Shaft Type | Keyed |
| Shaft Diameter | 60 mm | Shaft Extension | 140 mm |
| Outline Drawing | 6RN225M06E32U463021 | | |

This is an uncontrolled document once printed or downloaded and is subject to change without notice. Date Created:01/19/2023



DIN 332-DS M20
DIN 6885-1

| REVISIONS | | | | |
|-----------|------|-------------|------|----------|
| ZONE | REV. | DESCRIPTION | DATE | APPROVED |
| | | | | |
| | | | | |
| | | | | |

REGAL

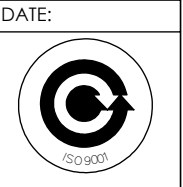
rotor

Mors 2, P.O.box 45
7150 AA Eibergen nl
Tel:+31(0)545 464640
E-mail:info@rotor.nl

MOTORTYPE: 6RN225M06E32
MOUNTING: IM3041
PROTECTION:
COOLING: IC411
REMARKS:
DIMENSIONS: MM SCALE: 1:8

TITLE: Outline drawing
SPECIAL:
ART. NR.:
REVISION:
PAPER SIZE: A3 PAGE 1 OF 1

DRAWN:
CHECKED:
COMPLETE OR PARTIAL
COPYING OR USE OF
SPECIFICATIONS IS
NOT ALLOWED WITHOUT
OUR PERMISSION.
SUBJECT TO ALTERATIONS



Datasheet



Mors 1-5, 7151 MX Eibergen NL
 www.rotor.nl tel.: +31 545 464640
 sales@rotor.nl tel.: +31 545 464646

Model No. 6-Pole cage motor 6RN 225M 30kW D400V 50Hz IM3021-FF400

| U (V) | Δ / Y Conn | f [Hz] | P | | I [A] | n [RPM] | T [Nm] | IE Class | % EFF at __ load | | | PF at __load | | | I _A /I _N [pu] | T _A /T _N [pu] | T _R /T _N [pu] |
|----------|---------------|-----------|------|------|----------|------------|-----------|-------------|------------------|-------|-------|--------------|-------|-------|--|--|--|
| | | | [kW] | [hp] | | | | | FL | 3/4FL | 1/2FL | FL | 3/4FL | 1/2FL | | | |
| 400 | D | 50 | 30 | 40 | 56,5 | 982 | 291 | IE3 | 92,9 | 93,5 | 93,4 | 0,83 | 0,79 | 0,69 | 7,06 | 2,55 | 2,87 |
| 690 | Y | | | | 32,7 | | | | | | | | | | | | |
| 460 | D | 60 | 30 | 40 | 49,3 | 1185 | 241 | IE3 | 94,1 | 94,4 | 94,0 | 0,81 | 0,77 | 0,66 | 8,02 | 2,81 | 3,30 |

| | |
|-------------------------------|-------------------------------------|
| Motor type | 6RN225M06E32 |
| Enclosure | Totally Enclosed Fan Cooling |
| Frame Material | Cast iron |
| Frame size | 225M |
| Duty | S1 |
| Voltage | 400 V |
| Frequency | 50 Hz |
| Power output | 30 kW |
| Insulation class | F |
| Ambient temperature | -20 till 40 °C |
| Temperature rise | temp.rise acc. B (80K) |
| Temperature rise winding | 50 K |
| Temperature rise surface | 31 K |
| Altitude above sea level | 1000 mtr |
| Hazardous area classification | Safe area |

| | |
|--------------------|----------------------|
| Rotor type | Cage motor |
| Bearing type | 6313/C3 |
| Lubrication method | 22gr/13400hrs |
| Type of grease | Unirex N3 |

| | |
|--------------------------|-------------------|
| Phase resistance at 20°C | 0,2159 Ohm |
| Country of origin | CZ |

| Voltage/Freq | Locked rotor Torque [nom] [%] | Starting current [% nom] | Pull-up Torque [% nom] | Breakdown Torque [% nom] | No-load Current [A] |
|---------------|-------------------------------|--------------------------|------------------------|--------------------------|---------------------|
| @ D 400V 50Hz | 255% | 706% | 214% | 287% | 21,2 A |
| @ D 460V 60Hz | 281% | 801% | 210% | 330% | 20,1 A |

NOTE

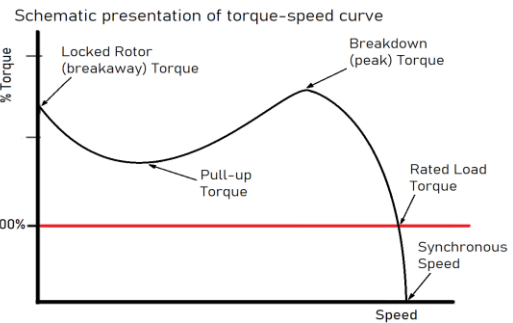
All performance values at rated voltage and frequency.
 All performance parameters are subjected to standard tolerance as per IEC 60034-1
 Voltage, Frequency are as per IEC60034-1
 Technical data are subject to change. There may be discrepancies between calculated and name plate values.

| | | |
|------------|------------------|---------------|
| Efficiency | Europe | Global IEC |
| Standards | EN-IEC: 60034-30 | IEC: 60034-30 |

This is an uncontrolled copy, data can be changed anytime.

| | |
|------------------------------------|-------------------------------|
| Degree of protection | IP55 |
| Mounting type | IM3021-FF400 |
| Cooling method | IC411 |
| Motor weight - approx. | 340 kg |
| Gross weight - approx. | 350 kg |
| Motor inertia | 0,6700 kgm² |
| Vibration level | according IEC60034-14 |
| Noise level (pressure) acc 60034-9 | 57 dB(A) |

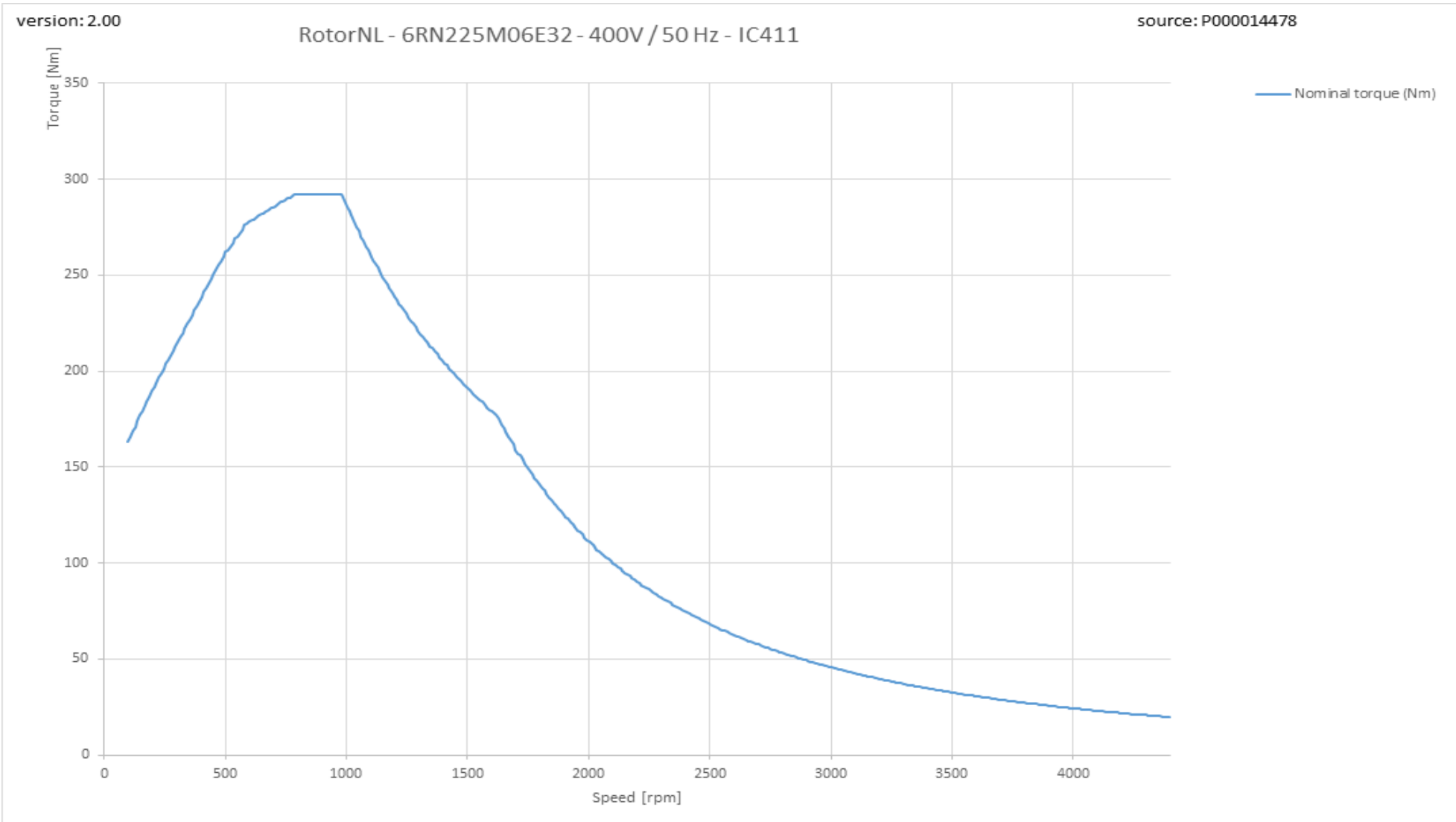
Direction of rotation **cw / ccw**



6RN225M06E32 6-pole 30,00kW D/Y 400/690V 50Hz S1 IC411 IE3



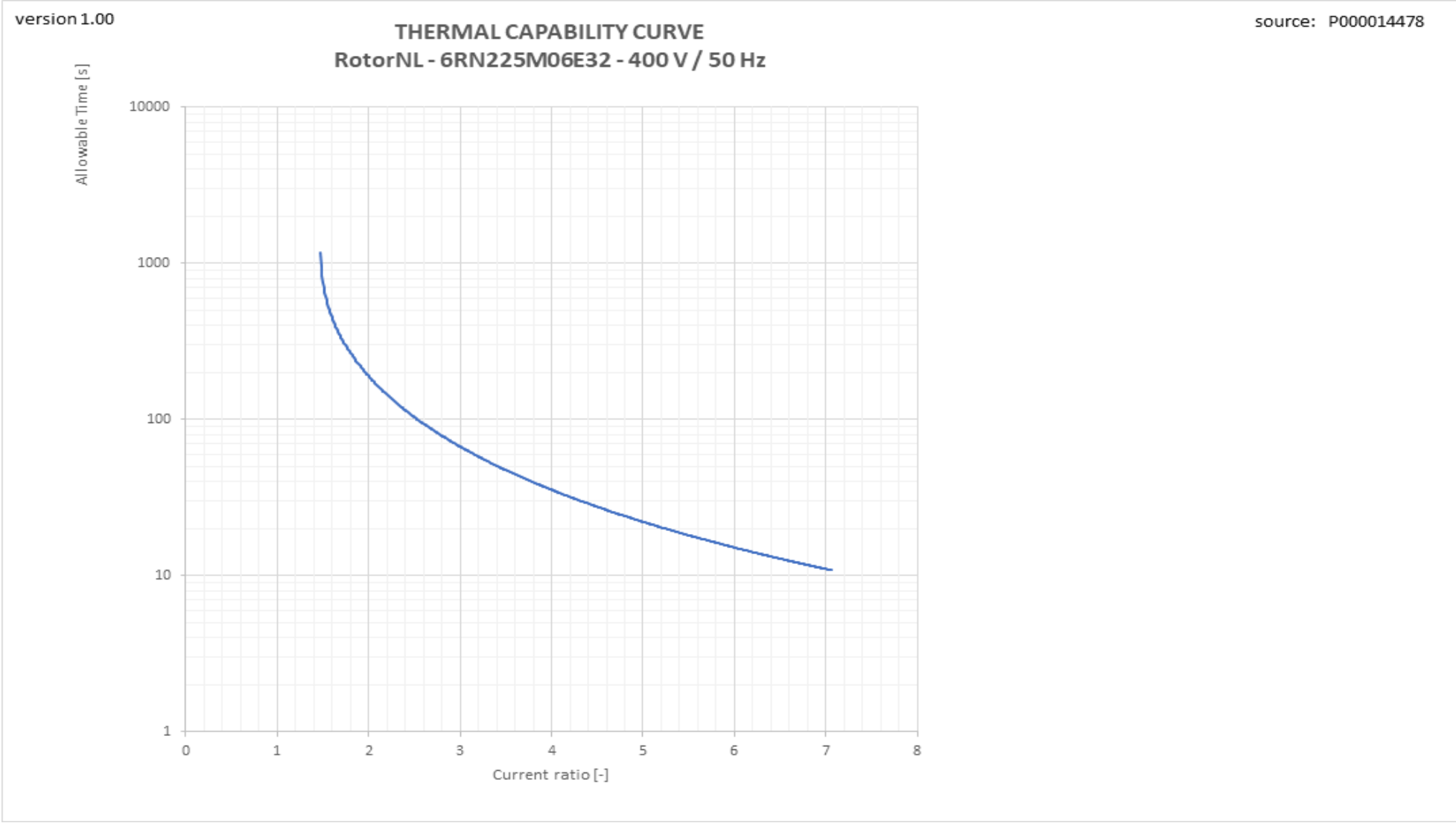
Torque versus Speed curve with variable frequency drive



This is an uncontrolled copy - document subject to change - alterations reserved without notice

Therm_VSD graph

This is an uncontrolled copy - document subject to change - alterations reserved without notice



Tn graph

