

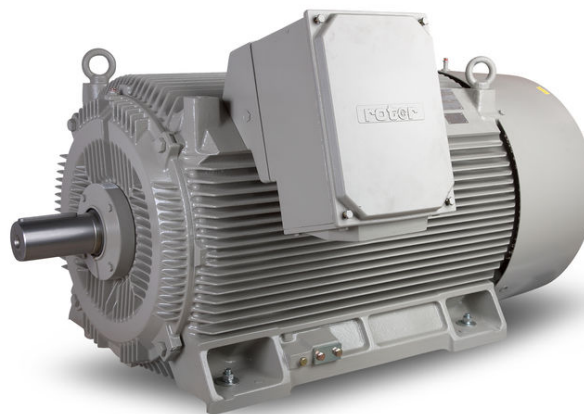
# PRODUCT INFORMATION PACKET

rotor nl<sup>®</sup>

Model No: 6RN225M04E36U461041

Catalog No: 6RN225M04E36U46@1041

55.00 kW General Purpose Low Voltage IEC Motor IE3, 3 phase, 1500 rpm, D400/Y690V 50Hz,  
225M Frame B3, IC411



Regal and Rotor nl are trademarks of Regal Rexnord Corporation or one of its affiliated companies.  
©2023 Regal Rexnord Corporation, All Rights Reserved. MC017097E

RegalRexnord



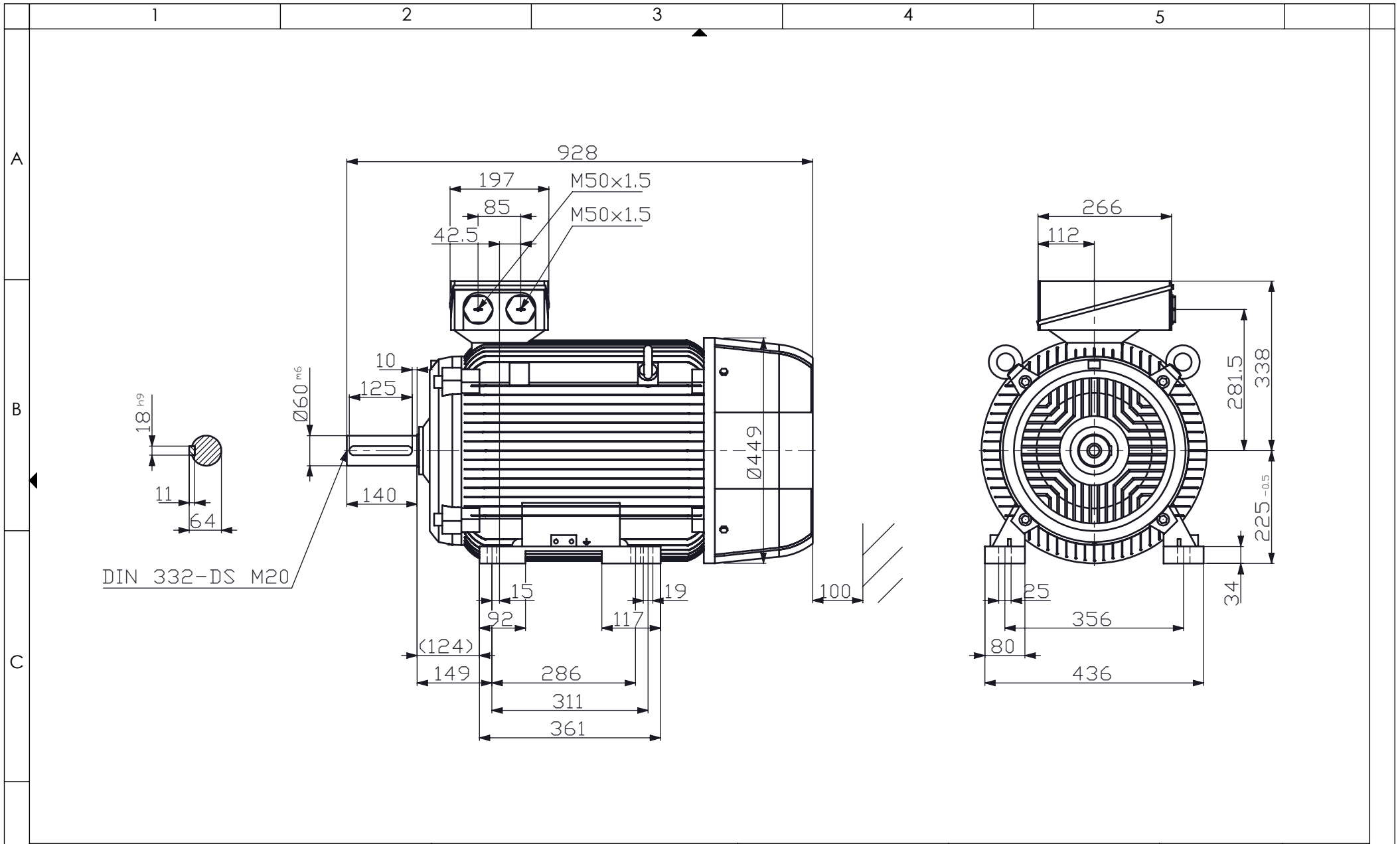
### Nameplate Specifications

Output HP	<b>75 Hp</b>	Output KW	<b>55.0 kW</b>
Frequency	<b>50 Hz</b>	Voltage	<b>D400/Y690 V</b>
Current	<b>99.30 A</b>	Speed	<b>1480 rpm</b>
Service Factor	<b>1</b>	Phase	<b>3</b>
Efficiency	<b>94.6 %</b>	Power Factor	<b>0.84</b>
Duty	<b>S1</b>	Insulation Class	<b>F</b>
Frame	<b>225M</b>	Enclosure	<b>Totally Enclosed Fan Cooled</b>
Thermal Protection	<b>No Protection</b>	Ambient Temperature	<b>40 °C</b>
Drive End Bearing Size	<b>6313/C3</b>	Opp Drive End Bearing Size	<b>6313/C3</b>
UL	<b>No</b>	CSA	<b>Optional</b>
CE	<b>Yes</b>	IP Code	<b>IP55</b>
Number of Speeds	<b>1</b>	Efficiency Class	<b>IE3</b>

### Technical Specifications

Electrical Type	<b>Squirrel Cage</b>	Starting Method	<b>Direct On Line</b>
Poles	<b>4</b>	Rotation	<b>Clockwise Shaft End</b>
Mounting	<b>B3</b>	Motor Orientation	<b>Any</b>
Frame Material	<b>Cast iron</b>	Shaft Type	<b>Keyed</b>
Outline Drawing	<b>6RN225M04E36U461041</b>		

This is an uncontrolled document once printed or downloaded and is subject to change without notice. Date Created:01/19/2023



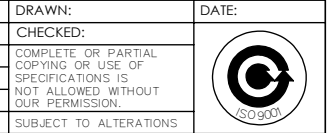
REVISIONS				
ZONE	REV.	DESCRIPTION	DATE	APPROVED



Mors 2, P.O.box 45  
7150 AA Eibergen nl  
Tel: +31(0)545 464640  
E-mail: info@rotor.nl

MOTORTYPE: 6RN225M04E36	TITLE: Outline drawing
MOUNTING: IM1041	SPECIAL:
PROTECTION:	ART. NR.:
COOLING: IC411	REVISION:
REMARKS:	PAPER SIZE: A4
DIMENSIONS: MM	SCALE: 1:10
	PAGE 1 OF 1

DRAWN:	DATE:
CHECKED:	
COMPLETE OR PARTIAL COPYING OR USE OF SPECIFICATIONS IS NOT ALLOWED WITHOUT OUR PERMISSION.	
SUBJECT TO ALTERATIONS	



Datasheet



Mors 1-5, 7151 MX Eibergen NL  
 www.rotor.nl tel.: +31 545 464640  
 sales@rotor.nl tel.: +31 545 464646

**Model No.** 4-Pole cage motor 6RN 225M 55kW D400V 50Hz IM1041

U (V)	Δ / Y Conn	f [Hz]	P		I [A]	n [RPM]	T [Nm]	IE Class	% EFF at __ load			PF at __load			I <sub>A</sub> /I <sub>N</sub> [pu]	T <sub>A</sub> /T <sub>N</sub> [pu]	T <sub>R</sub> /T <sub>N</sub> [pu]
			[kW]	[hp]					FL	3/4FL	1/2FL	FL	3/4FL	1/2FL			
400	D	50	55	75	99,3	1480	355	IE3	95,1			0,84			7,55	2,80	2,70
690	Y				57,3												
460	D	60	63	84,45	98	1778	338	IE3	95,4	96,1	96,2	0,85	0,84	0,79	7,83	2,95	3,05

Motor type	<b>6RN225M04E36</b>
Enclosure	<b>Totally Enclosed Fan Cooling</b>
Frame Material	<b>Cast iron</b>
Frame size	<b>225M</b>
Duty	<b>S1</b>
Voltage	<b>400 V</b>
Frequency	<b>50 Hz</b>
Power output	<b>55 kW</b>
Insulation class	<b>F</b>
Ambient temperature	<b>-20 till 40 °C</b>
Temperature rise	<b>temp.rise acc. B (80K)</b>
Temperature rise winding	<b>57 K</b>
Temperature rise surface	<b>34 K</b>
Altitude above sea level	<b>1000 mtr</b>
Hazardous area classification	<b>Safe area</b>

Rotor type	<b>Cage motor</b>
Bearing type	<b>6313/C3</b>
Lubrication method	<b>22gr/10200hrs</b>
Type of grease	<b>Unirex N3</b>

Phase resistance at 20°C	<b>0,1046 Ohm</b>
Country of origin	<b>CZ</b>

Voltage/Freq	Locked rotor Torque [nom] [%]	Starting current [% nom]	Pull-up Torque [% nom]	Breakdown Torque [% nom]	No-load Current [A]
@ D 400V 50Hz	280%	755%	259%	270%	35,9 A
@ D 460V 60Hz	295%	629%	260%	305%	33,1 A

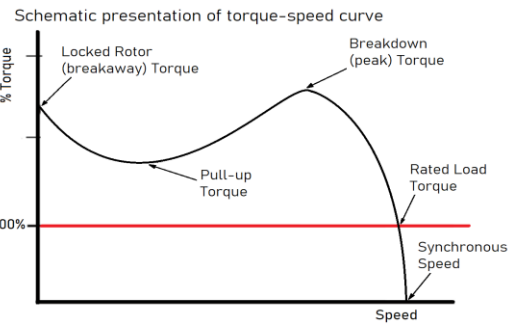
**NOTE**

All performance values at rated voltage and frequency.  
 All performance parameters are subjected to standard tolerance as per IEC 60034-1  
 Voltage, Frequency are as per IEC60034-1  
 Technical data are subject to change. There may be discrepancies between calculated and name plate values.

Efficiency	Europe	Global IEC
Standards	EN-IEC: 60034-30	IEC: 60034-30

This is an uncontrolled copy, data can be changed anytime.

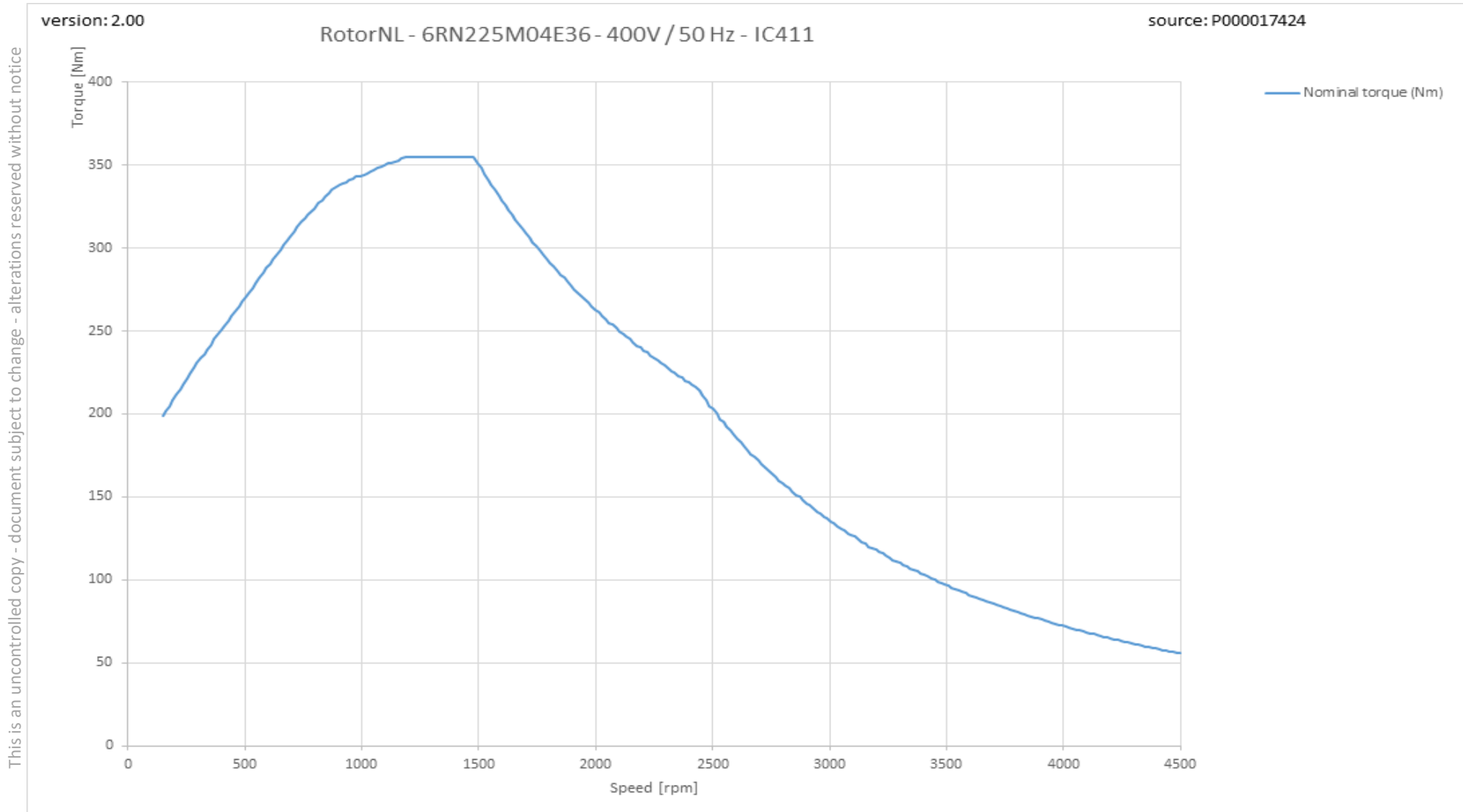
Degree of protection	<b>IP55</b>
Mounting type	<b>IM1041</b>
Cooling method	<b>IC411</b>
Motor weight - approx.	<b>410 kg</b>
Gross weight - approx.	<b>420 kg</b>
Motor inertia	<b>0,6500 kgm<sup>2</sup></b>
Vibration level	<b>according IEC60034-14</b>
Direction of rotation	<b>cw / ccw</b>



6RN225M04E36 4-pole 55,00kW D/Y 400/690V 50Hz S1 IC411 IE3



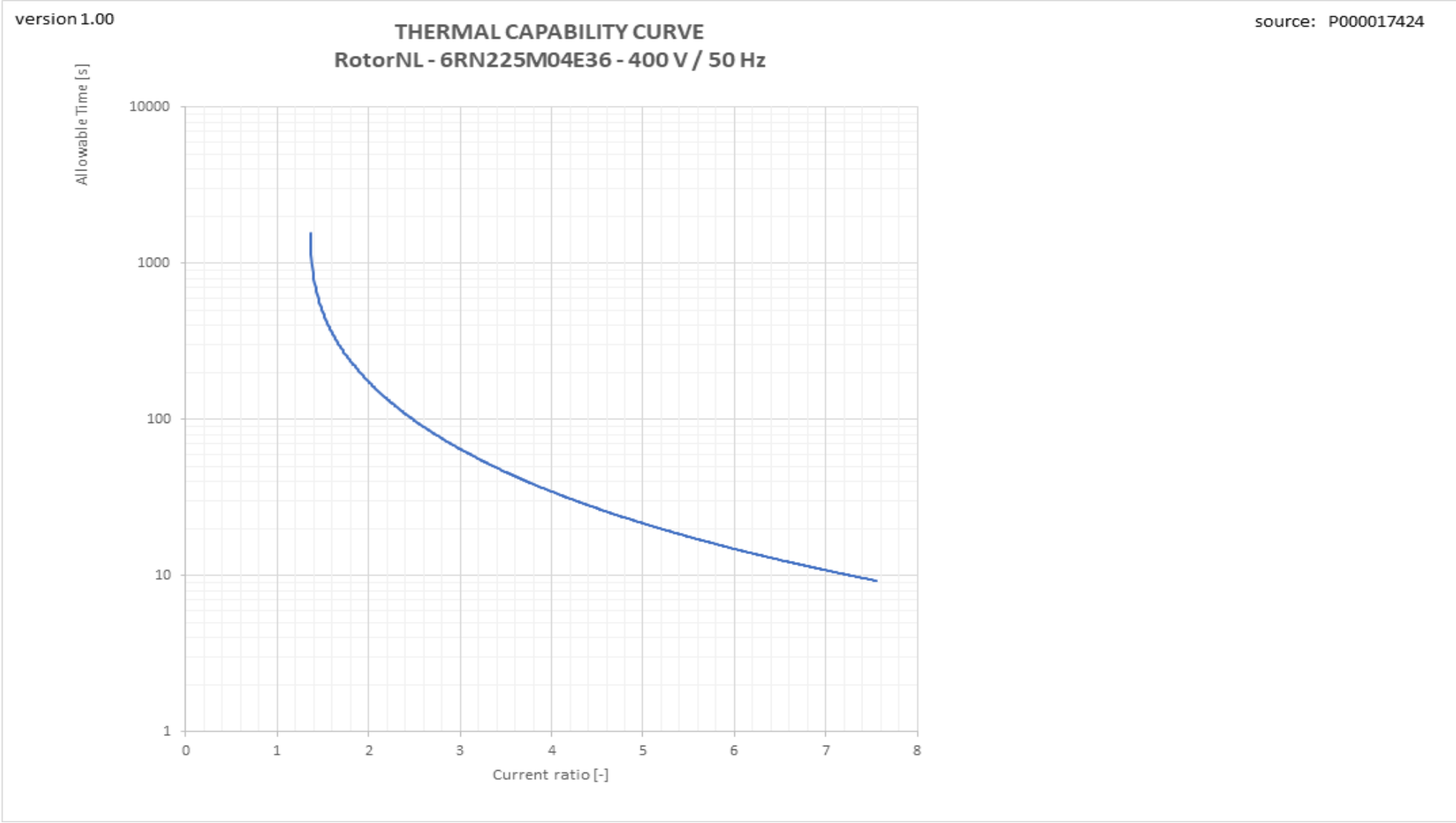
Torque versus Speed curve with variable frequency drive



This is an uncontrolled copy - document subject to change - alterations reserved without notice

Therm\_VSD graph

This is an uncontrolled copy - document subject to change - alterations reserved without notice



Tn graph

