

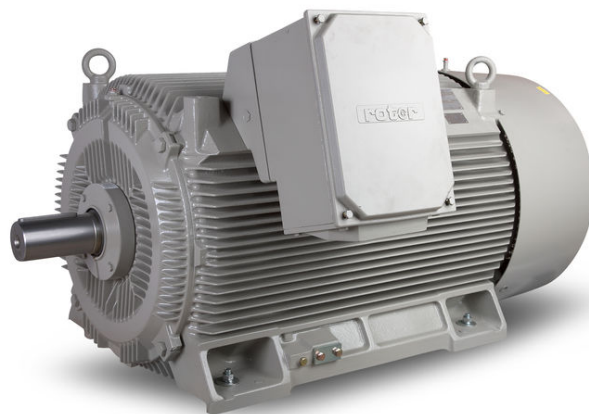
PRODUCT INFORMATION PACKET

rotor nl[®]

Model No: 6RN225M02E32U461041

Catalog No: 6RN225M02E32U46@1041

45.00 kW General Purpose Low Voltage IEC Motor IE3, 3 phase, 3000 rpm, D400/Y690V 50Hz,
225M Frame B3, IC411



Regal and Rotor nl are trademarks of Regal Rexnord Corporation or one of its affiliated companies.
©2023 Regal Rexnord Corporation, All Rights Reserved. MC017097E

RegalRexnord



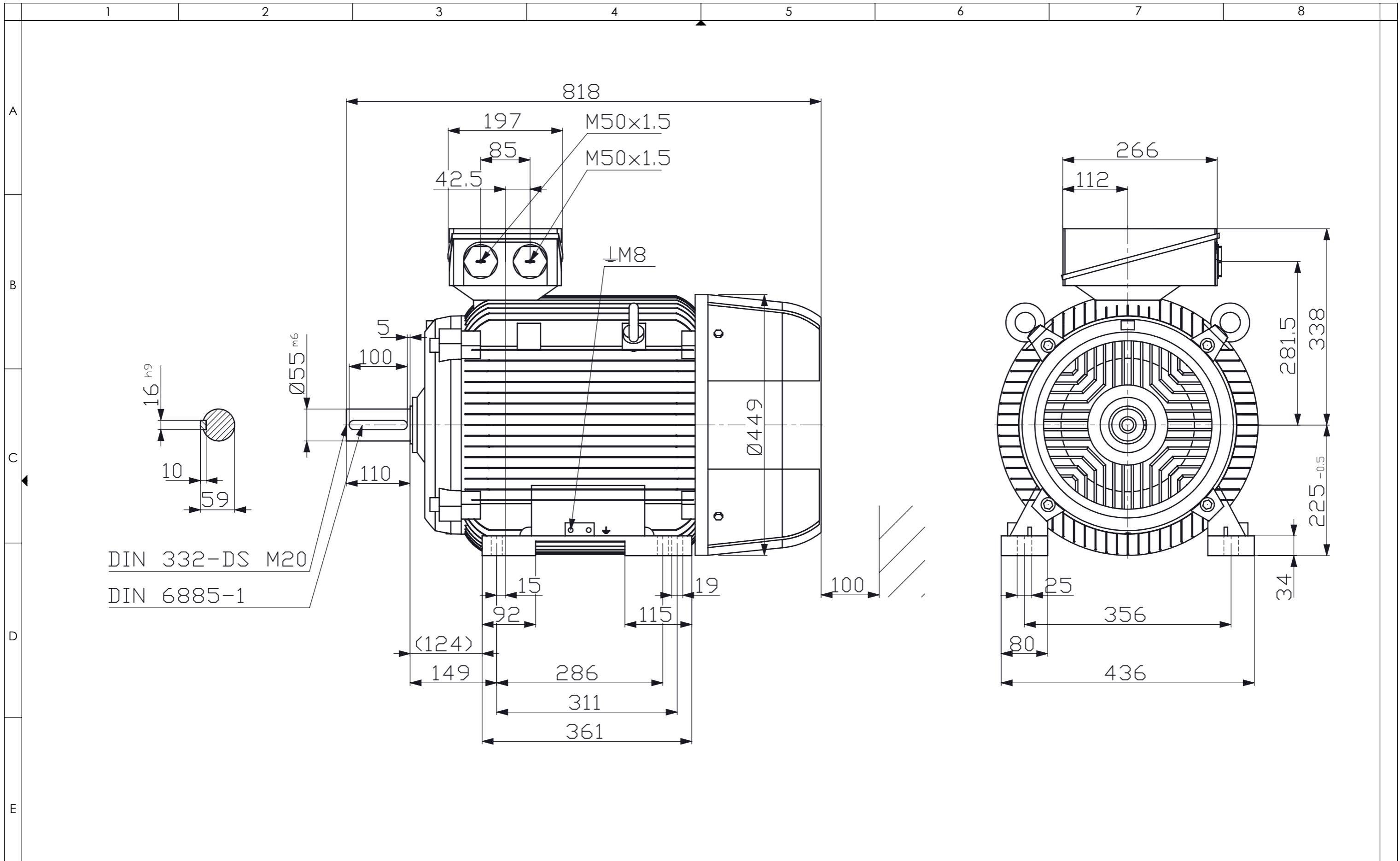
Nameplate Specifications

Output HP	60 Hp	Output KW	45.0 kW
Frequency	50 Hz	Voltage	D400/Y690 V
Current	78.10 A	Speed	2960 rpm
Service Factor	1	Phase	3
Efficiency	94.1 %	Power Factor	0.88
Duty	S1	Insulation Class	F
Frame	225M	Enclosure	Totally Enclosed Fan Cooled
Thermal Protection	No Protection	Ambient Temperature	40 °C
Drive End Bearing Size	6313/C3	Opp Drive End Bearing Size	6313/C3
UL	No	CSA	Optional
CE	Yes	IP Code	IP55
Number of Speeds	1	Efficiency Class	IE3

Technical Specifications

Electrical Type	Squirrel Cage	Starting Method	Direct On Line
Poles	2	Rotation	Clockwise Shaft End
Mounting	B3	Motor Orientation	Any
Frame Material	Cast iron	Shaft Type	Keyed
Shaft Diameter	55 mm	Shaft Extension	110 mm
Outline Drawing	6RN225M02E32U461041		

This is an uncontrolled document once printed or downloaded and is subject to change without notice. Date Created:01/19/2023



REVISIONS				
ZONE	REV.	DESCRIPTION	DATE	APPROVED

REGAL

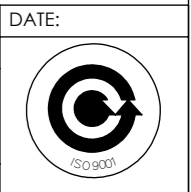
rotor

Mors 2, P.O. box 45
7150 AA Eibergen nl
Tel: +31(0)545 464640
E-mail: info@rotor.nl

MOTORTYPE: 6RN225M02E32
MOUNTING: IM1041
PROTECTION:
COOLING: IC411
REMARKS:
DIMENSIONS: MM SCALE: 1:6

TITLE: Outline drawing
SPECIAL:
ART. NR.:
REVISION:
PAPER SIZE: A3 PAGE 1 OF 1

DRAWN:
CHECKED:
COMPLETE OR PARTIAL
COPYING OR USE OF
SPECIFICATIONS IS
NOT ALLOWED WITHOUT
OUR PERMISSION.
SUBJECT TO ALTERATIONS



Datasheet



Mors 1-5, 7151 MX Eibergen NL
 www.rotor.nl tel.: +31 545 464640
 sales@rotor.nl tel.: +31 545 464646

Model No. 2-Pole cage motor 6RN 225M 45kW D400V 50Hz IM1041

U (V)	Δ / Y Conn	f [Hz]	P		I [A]	n [RPM]	T [Nm]	IE Class	% EFF at __ load			PF at __load			I _A /I _N [pu]	T _A /T _N [pu]	T _R /T _N [pu]
			[kW]	[hp]					FL	3/4FL	1/2FL	FL	3/4FL	1/2FL			
400	D	50	45	60,32	78,1	2960	145	IE3	94,4	94,8	94,7	0,88	0,86	0,79	7,28	2,34	3,16
690	Y		45,1														
460	D	60	51	68,36	76	3560	136	IE3	94,6	94,9	94,6	0,89	0,87	0,80	7,25	2,34	3,06

Motor type	6RN225M02E32
Enclosure	Totally Enclosed Fan Cooling
Frame Material	Cast iron
Frame size	225M
Duty	S1
Voltage	400 V
Frequency	50 Hz
Power output	45 kW
Insulation class	F
Ambient temperature	-20 till 40 °C
Temperature rise	temp.rise acc. B (80K)
Temperature rise winding	66 K
Temperature rise surface	32 K
Altitude above sea level	1000 mtr
Hazardous area classification	Safe area

Rotor type	Cage motor
Bearing type	6313/C3
Lubrication method	22gr/4000hrs
Type of grease	Unirex N3

Phase resistance at 20°C	0,1071 Ohm
Country of origin	CZ

Voltage/Freq	Locked rotor Torque [nom] [%]	Starting current [% nom]	Pull-up Torque [% nom]	Breakdown Torque [% nom]	No-load Current [A]
@ D 400V 50Hz	234%	727%	220%	316%	21,7 A
@ D 460V 60Hz	234%	725%	217%	306%	20,2 A

NOTE

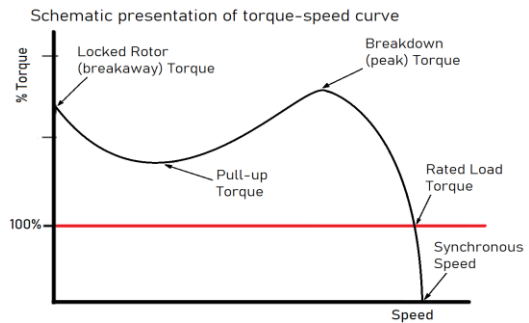
All performance values at rated voltage and frequency.
 All performance parameters are subjected to standard tolerance as per IEC 60034-1
 Voltage, Frequency are as per IEC60034-1
 Technical data are subject to change. There may be discrepancies between calculated and name plate values.

Efficiency	Europe	Global IEC
Standards	EN-IEC: 60034-30	IEC: 60034-30

This is an uncontrolled copy, data can be changed anytime.

Degree of protection	IP55
Mounting type	IM1041
Cooling method	IC411
Motor weight - approx.	330 kg
Gross weight - approx.	340 kg
Motor inertia	0,2600 kgm²
Vibration level	according IEC60034-14
Noise level (pressure) acc 60034-9	67 dB(A)

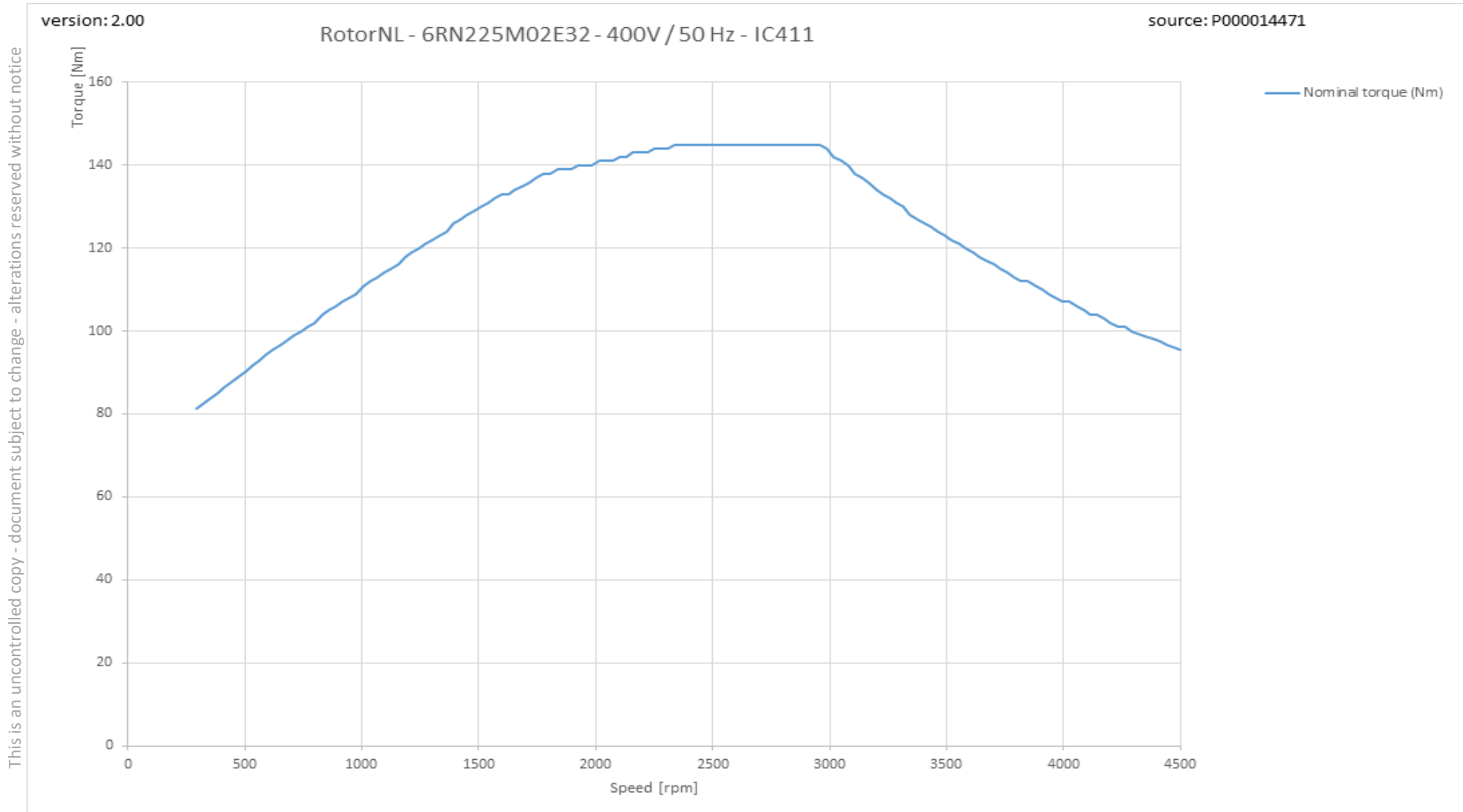
Direction of rotation **cw / ccw**



6RN225M02E32 2-pole 45,00kW D/Y 400/690V 50Hz S1 IC411 IE3



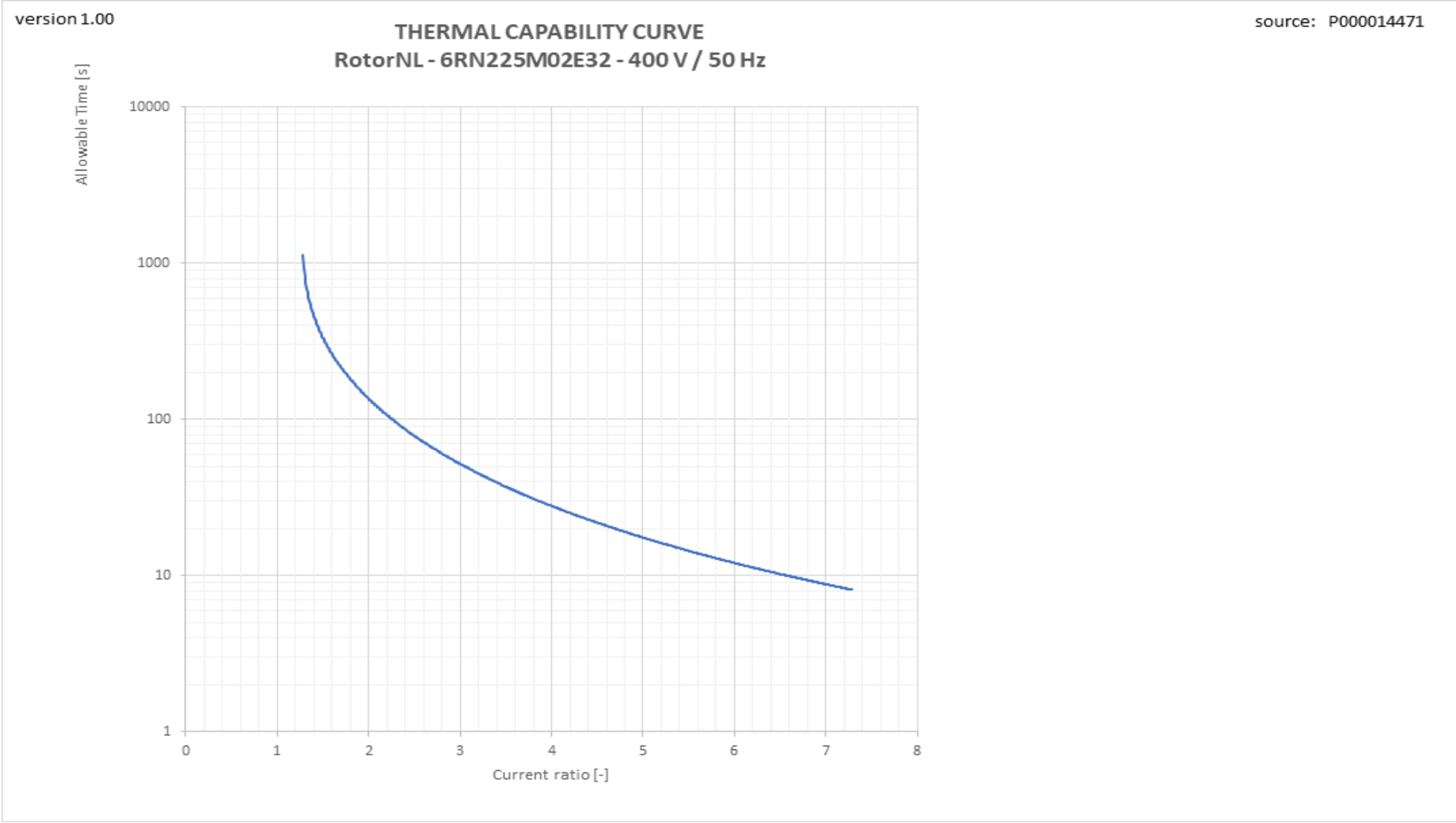
Torque versus Speed curve with variable frequency drive



This is an uncontrolled copy - document subject to change - alterations reserved without notice

Therm_VSD graph

This is an uncontrolled copy - document subject to change - alterations reserved without notice



Tn graph

