

# PRODUCT INFORMATION PACKET

rotor nl<sup>®</sup>

Model No: 6RN160M06E32U463041

Catalog No: 6RN160M06E32U46@3041

7.50 kW General Purpose Low Voltage IEC Motor IE3, 3 phase, 1000 rpm, D400/Y690V 50Hz,  
160M Frame B5, IC411



Regal and Rotor nl are trademarks of Regal Rexnord Corporation or one of its affiliated companies.  
©2023 Regal Rexnord Corporation, All Rights Reserved. MC017097E

RegalRexnord



**Nameplate Specifications**

Output HP	10 Hp	Output KW	7.5 kW
Frequency	50 Hz	Voltage	D400/Y690 V
Current	15.65 A	Speed	975 rpm
Service Factor	1	Phase	3
Efficiency	89.1 %	Power Factor	0.78
Duty	S1	Insulation Class	F
Frame	160M	Enclosure	Totally Enclosed Fan Cooled
Thermal Protection	No Protection	Ambient Temperature	40 °C
Drive End Bearing Size	6309-2Z/C3WT (-40°C/+160°C)	Opp Drive End Bearing Size	6309-2Z/C3WT (-40°C/+160°C)
UL	No	CSA	Optional
CE	Yes	IP Code	IP55
Number of Speeds	1	Efficiency Class	IE3

**Technical Specifications**

Electrical Type	Squirrel Cage	Starting Method	Direct On Line
Poles	6	Rotation	Clockwise Shaft End
Mounting	B5	Motor Orientation	Any
Frame Material	Cast iron	Shaft Type	Keyed
Shaft Diameter	42 mm	Shaft Extension	110 mm
Outline Drawing	6RN160M06E32U463041		

This is an uncontrolled document once printed or downloaded and is subject to change without notice. Date Created:01/19/2023

1 2 3 4 5 6 7 8

A

B

C

D

E

F

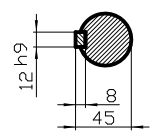
A

B

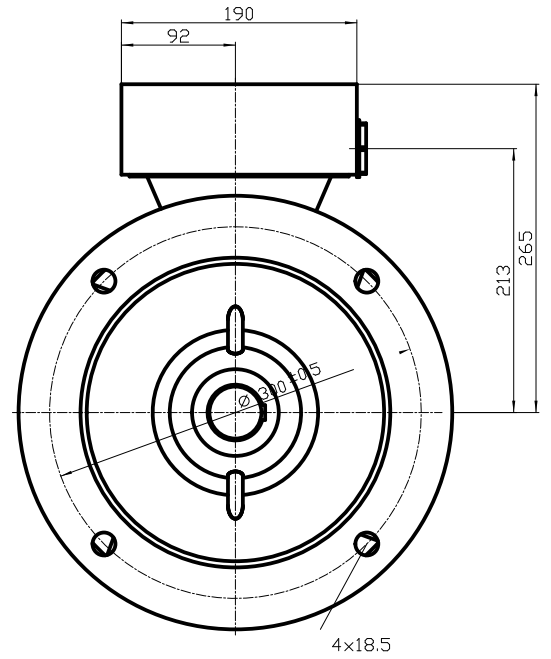
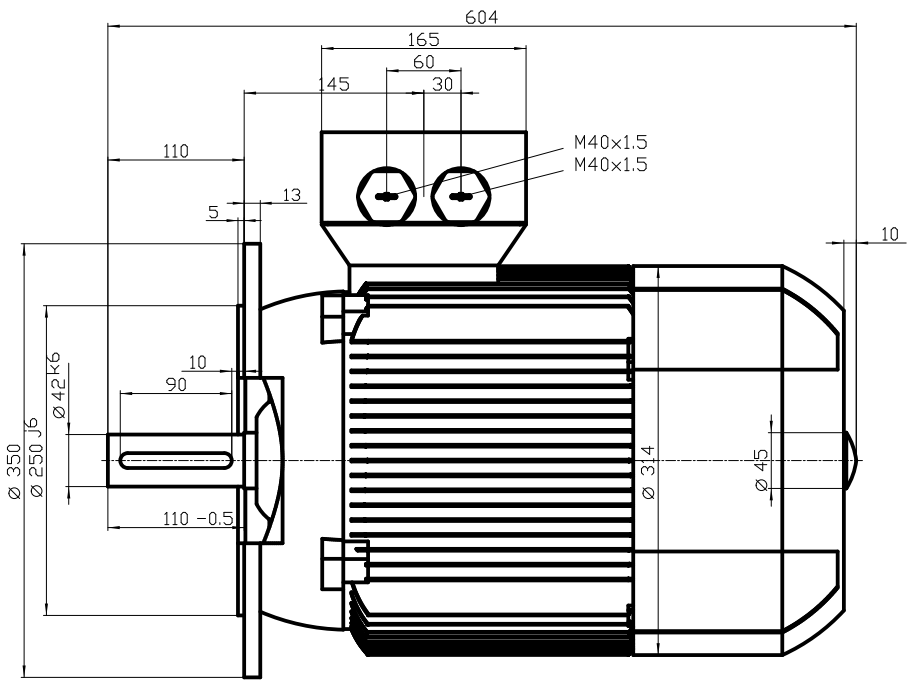
C

D

E



DIN 332-DR M16  
DIN 6885 Teil1



		Unit	mm
Date		30.04.13	6RN160M06E32 B5

1 2 3 4 5 6 7 8

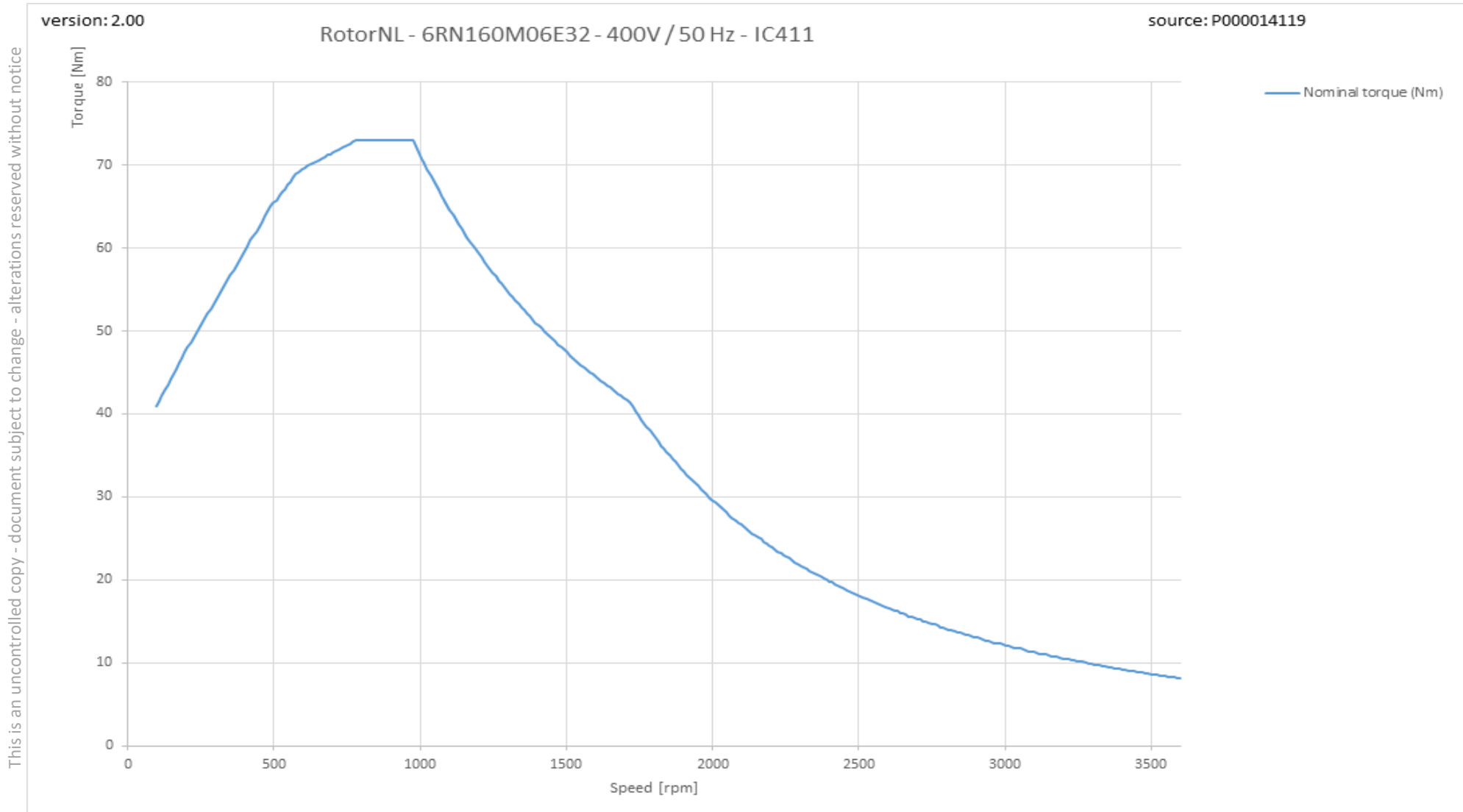




6RN160M06E32 6-pole 7,5kW D/Y 400/690V 50Hz S1 IC411 IE3

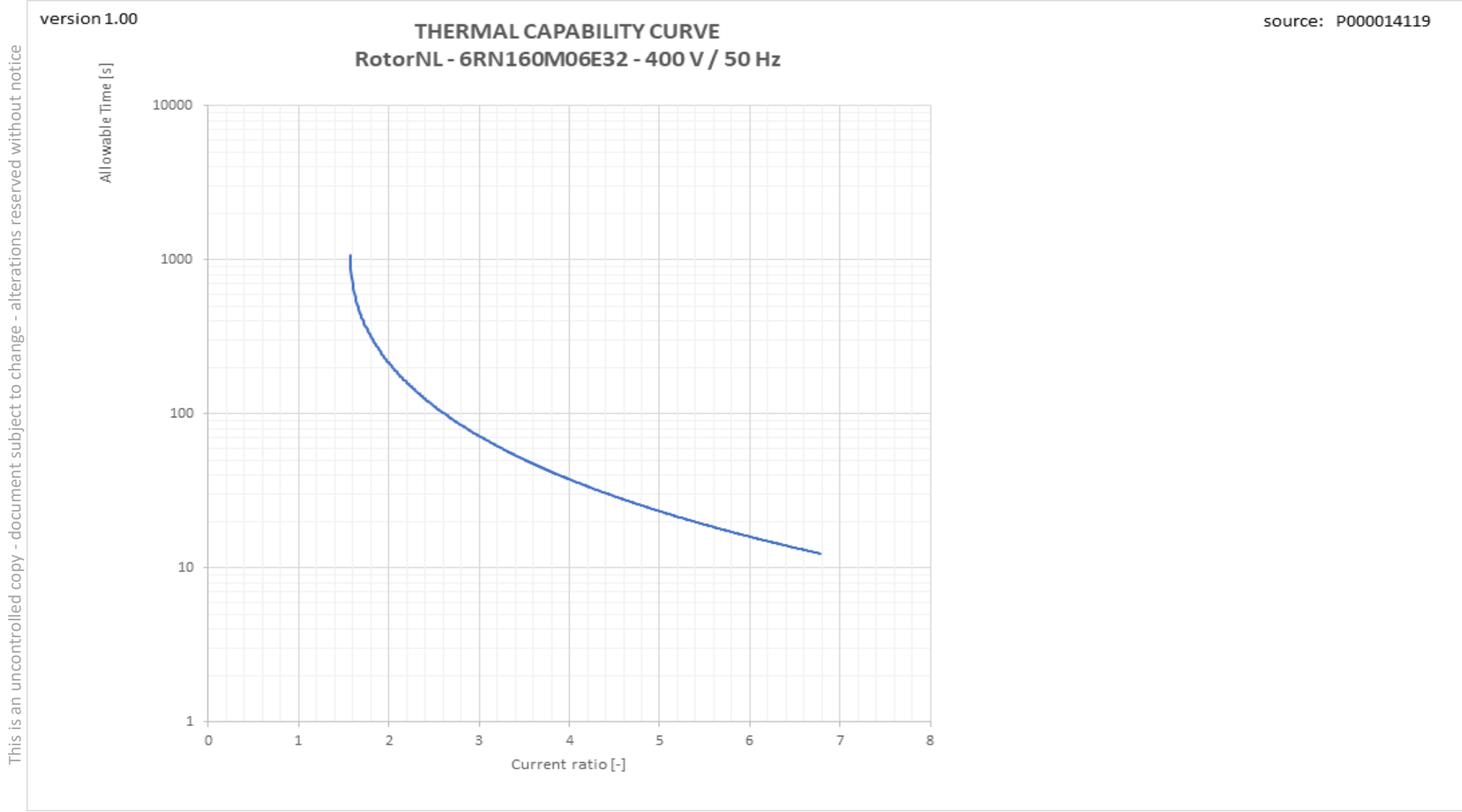


Torque versus Speed curve with variable frequency drive



This is an uncontrolled copy - document subject to change - alterations reserved without notice

Therm\_VSD graph



Tn graph

