

PRODUCT INFORMATION PACKET

rotor nl[®]

Model No: 6RN132S02E31U461081

Catalog No: 6RN132S02E31U46@1081

7.50 kW General Purpose Low Voltage IEC Motor IE3, 3 phase, 3000 rpm, D400/Y690V 50Hz,
132S Frame B3, IC411



Regal and Rotor nl are trademarks of Regal Rexnord Corporation or one of its affiliated companies.
©2023 Regal Rexnord Corporation, All Rights Reserved. MC017097E

RegalRexnord



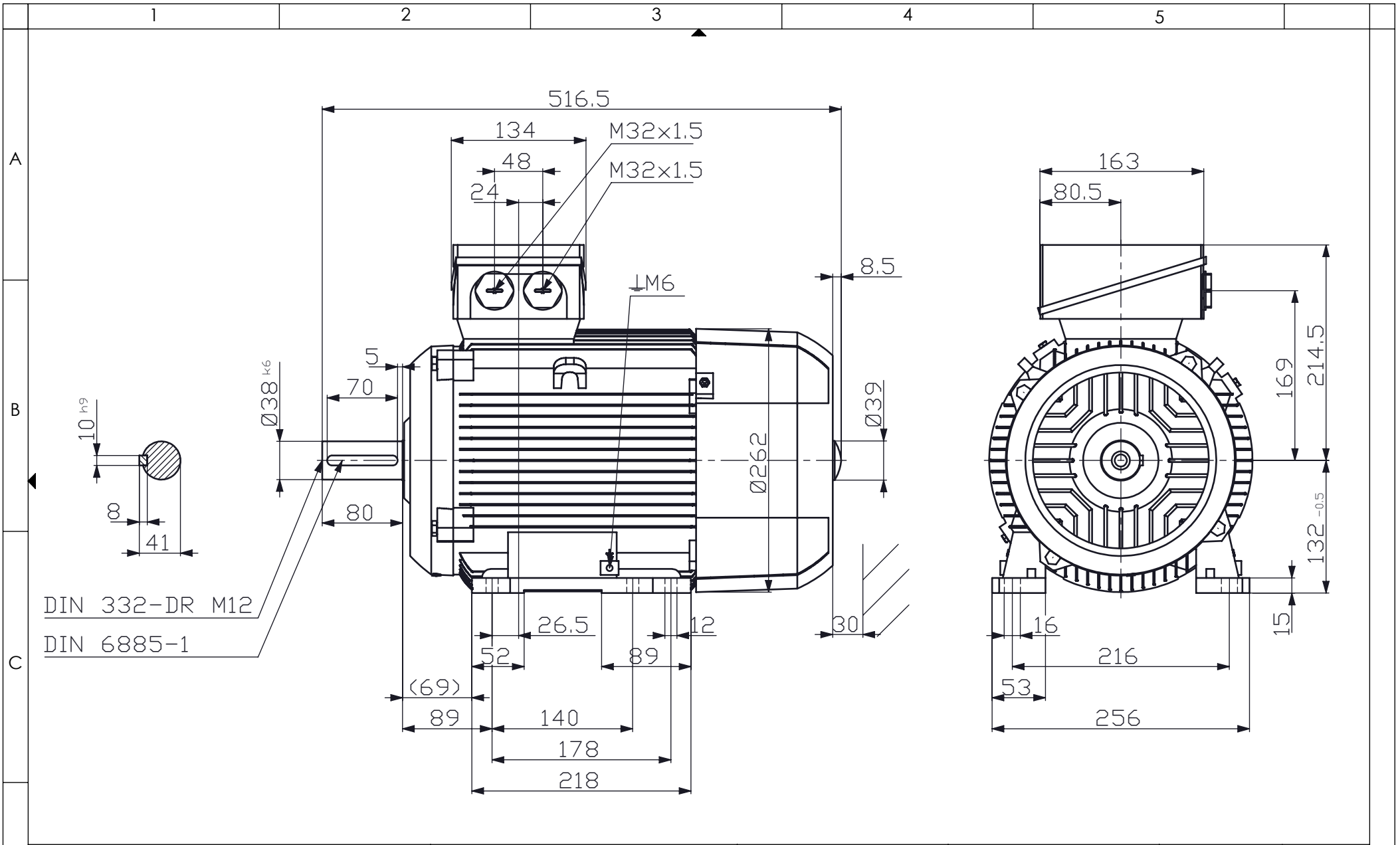
Nameplate Specifications

Output HP	10 Hp	Output KW	7.5 kW
Frequency	50 Hz	Voltage	D400/Y690 V
Current	12.97 A	Speed	2950 rpm
Service Factor	1	Phase	3
Efficiency	90.1 %	Power Factor	0.92
Duty	S1	Insulation Class	F
Frame	132S	Enclosure	Totally Enclosed Fan Cooled
Thermal Protection	No Protection	Ambient Temperature	40 °C
Drive End Bearing Size	6308-2Z/C3WT (-40°C/+160°C)	Opp Drive End Bearing Size	6308-2Z/C3WT (-40°C/+160°C)
UL	No	CSA	Optional
CE	Yes	IP Code	IP55
Number of Speeds	1	Efficiency Class	IE3

Technical Specifications

Electrical Type	Squirrel Cage	Starting Method	Direct On Line
Poles	2	Rotation	Clockwise Shaft End
Mounting	B3	Motor Orientation	Any
Frame Material	Cast iron	Shaft Type	Keyed
Shaft Diameter	38 mm	Shaft Extension	80 mm
Outline Drawing	6RN132S02E31U461081		

This is an uncontrolled document once printed or downloaded and is subject to change without notice. Date Created:01/19/2023



REVISIONS				
ZONE	REV.	DESCRIPTION	DATE	APPROVED


rotor
 Mors 2, P.O.box 45
 7150 AA Eibergen nl
 Tel: +31(0)545 464640
 E-mail: info@rotor.nl

MOTORTYPE: 6RN132S02E31
 MOUNTING: IM1081
 PROTECTION:
 COOLING: IC411
 REMARKS:
 DIMENSIONS: MM SCALE: 1:5

TITLE: Outline drawing
 SPECIAL:
 ART. NR.:
 REVISION:
 PAPER SIZE: A4 PAGE 1 OF 1

DRAWN:
 CHECKED:
 COMPLETE OR PARTIAL
 COPYING OR USE OF
 SPECIFICATIONS IS
 NOT ALLOWED WITHOUT
 OUR PERMISSION.
 SUBJECT TO ALTERATIONS



Datasheet



Mors 1-5, 7151 MX Eibergen NL
 www.rotor.nl tel.: +31 545 464640
 sales@rotor.nl tel.: +31 545 464646

Model No. 2-Pole cage motor 6RN 132S 7,5kW D400V 50Hz IM1081

U (V)	Δ / Y Conn	f [Hz]	P		I [A]	n [RPM]	T [Nm]	IE Class	% EFF at __ load			PF at __load			I _A /I _N [pu]	T _A /T _N [pu]	T _R /T _N [pu]
			[kW]	[hp]					FL	3/4FL	1/2FL	FL	3/4FL	1/2FL			
400	D	50	7,5	10	13,1	2950	24,2	IE3	90,5	91,5	91,5	0,92	0,90	0,84	8,87	1,92	3,87
690	Y		7,56														
460	D	60	8,6	11,53	14	3525	23,3	IE3	89,3	90,2	89,2	0,88	0,90	0,86	6,85	2,15	3,16

Motor type	6RN132S02E31
Enclosure	Totally Enclosed Fan Cooling
Frame Material	Cast iron
Frame size	132S
Duty	S1
Voltage	400 V
Frequency	50 Hz
Power output	7,5 kW
Insulation class	F
Ambient temperature	-20 till 40 °C
Temperature rise	temp.rise acc. B (80K)
Temperature rise winding	50 K
Temperature rise surface	34 K
Altitude above sea level	1000 mtr
Hazardous area classification	Safe area

Degree of protection	IP55
Mounting type	IM1081
Cooling method	IC411
Motor weight - approx.	72 kg
Gross weight - approx.	74 kg
Motor inertia	0,0310 kgm²
Vibration level	according IEC60034-14
Noise level (pressure) acc 60034-9	68 dB(A)

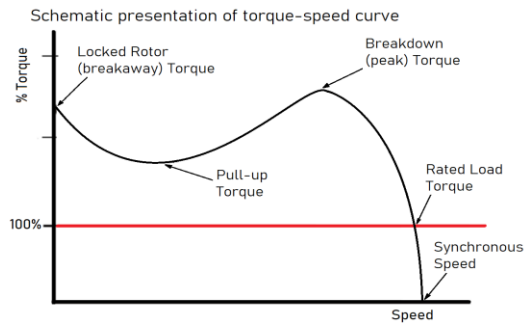
Rotor type	Cage motor
Bearing type	6308-2Z/C3WT
Type of grease	Unirex N3
Phase resistance at 20°C	1,9852 Ohm
Country of origin	CZ

Voltage/Freq	Locked rotor Torque [nom] [%]	Starting current [% nom]	Pull-up Torque [% nom]	Breakdown Torque [% nom]	No-load Current [A]
@ D 400V 50Hz	192%	877%	179%	387%	3,47 A
@ D 460V 60Hz	215%	685%	194%	316%	4,77 A

NOTE

All performance values at rated voltage and frequency.
 All performance parameters are subjected to standard tolerance as per IEC 60034-1
 Voltage, Frequency are as per IEC60034-1
 Technical data are subject to change. There may be discrepancies between calculated and name plate values.

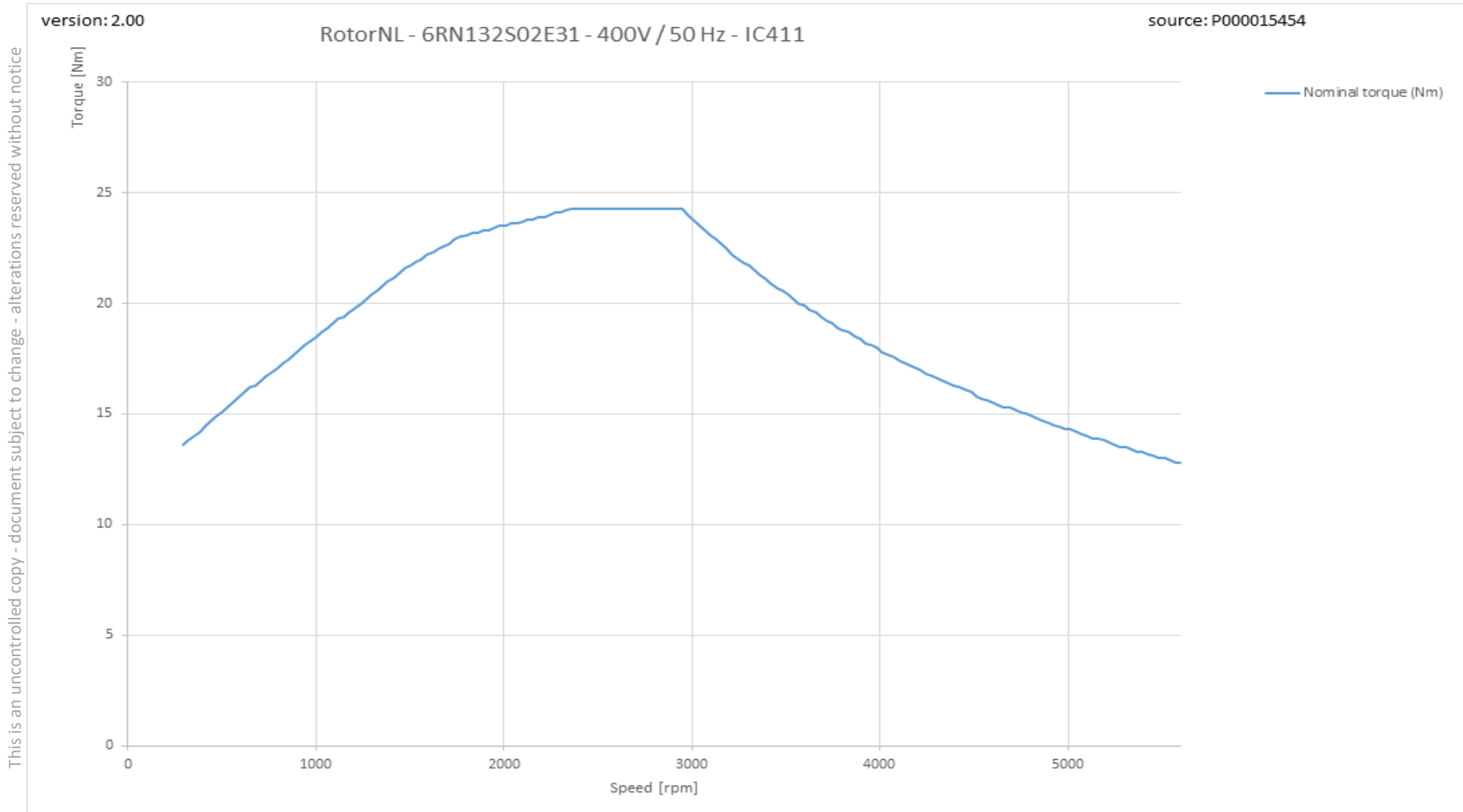
Efficiency	Europe	Global IEC
Standards	EN-IEC: 60034-30	IEC: 60034-30



6RN132S02E31 2-pole 7,50kW D/Y 400/690V 50Hz S1 IC411 IE3

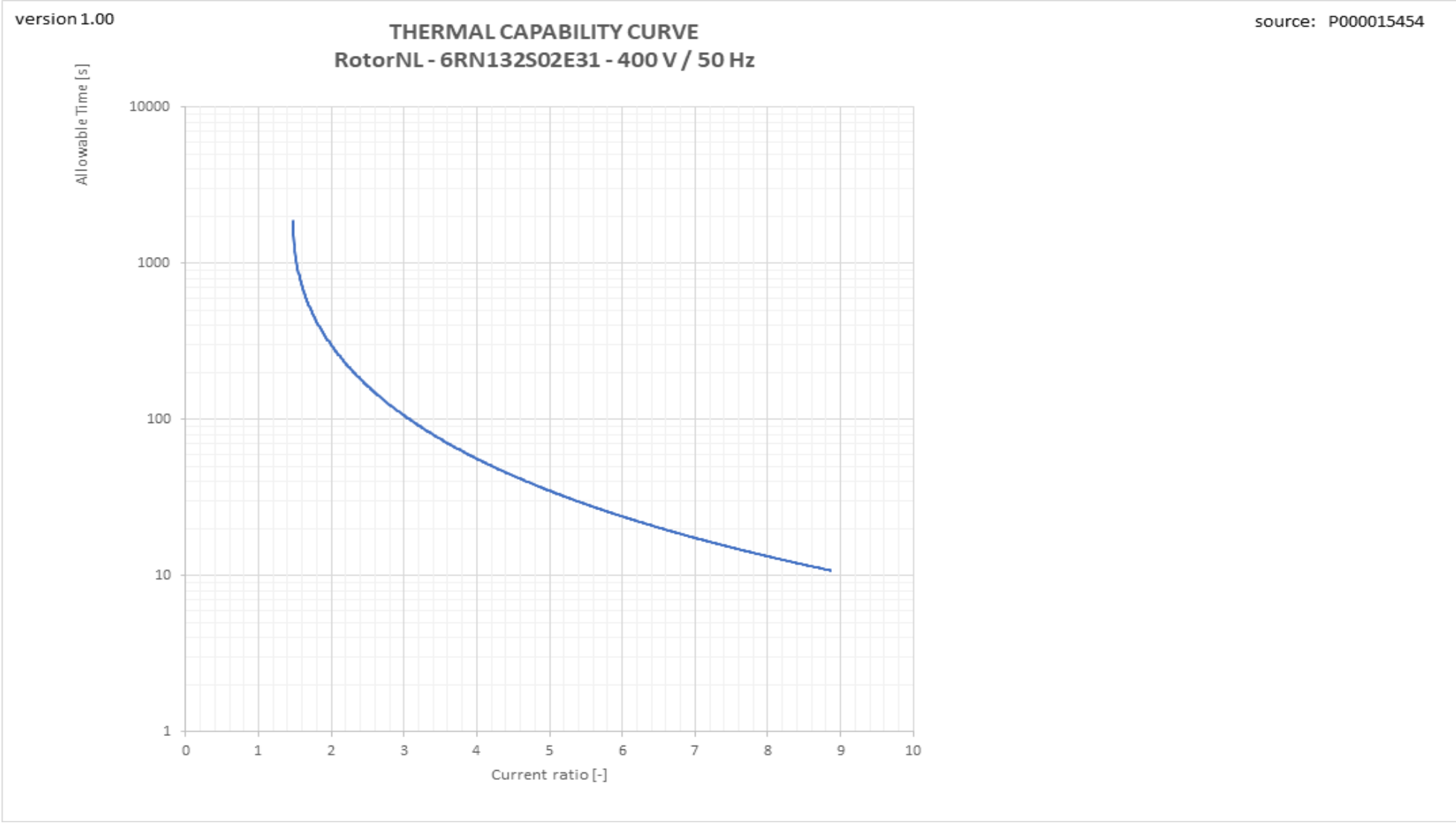


Torque versus Speed curve with variable frequency drive



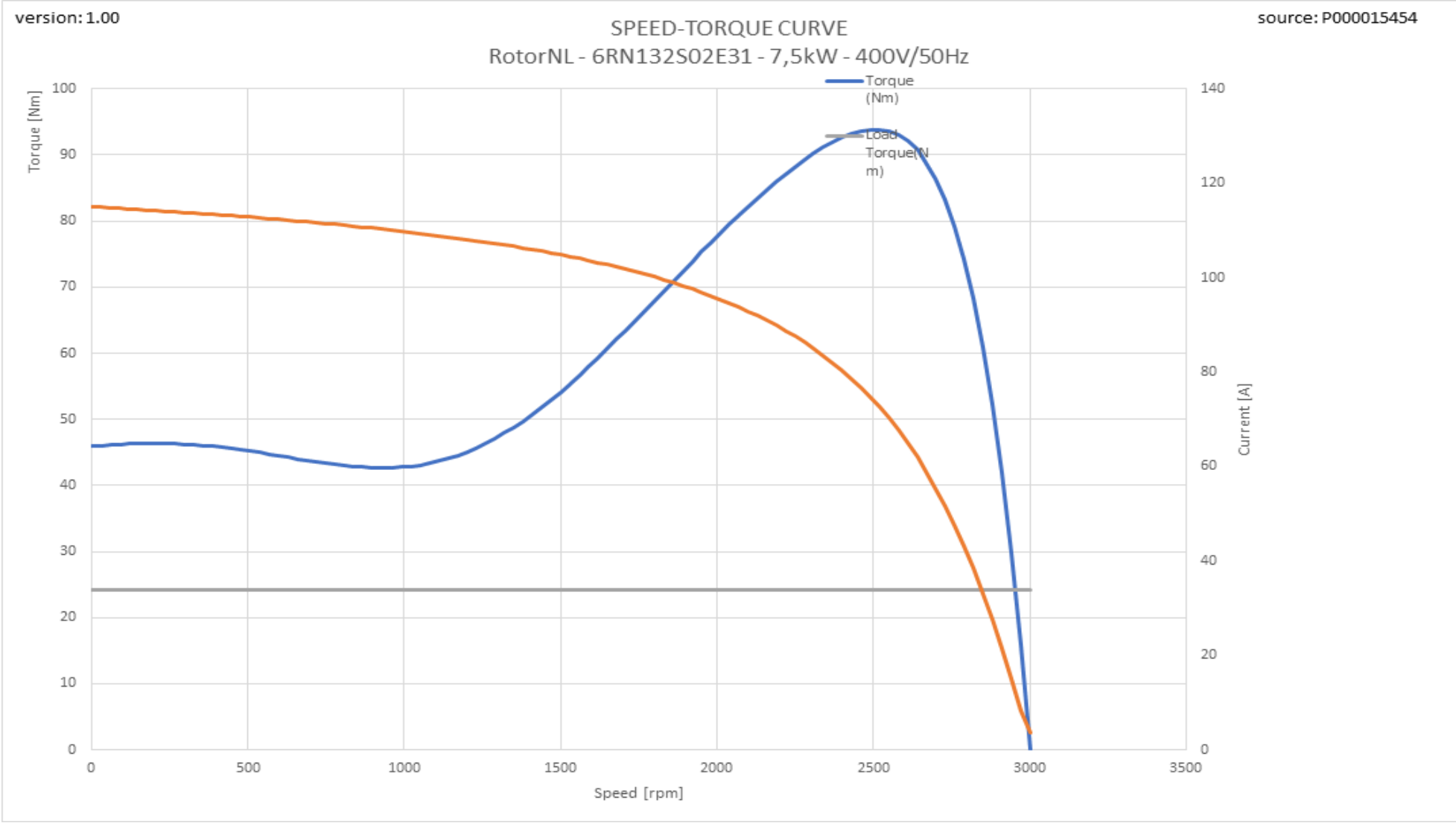
This is an uncontrolled copy - document subject to change - alterations reserved without notice

Therm_VSD graph



This is an uncontrolled copy - document subject to change - alterations reserved without notice

Tn graph



This is an uncontrolled copy - document subject to change - alterations reserved without notice